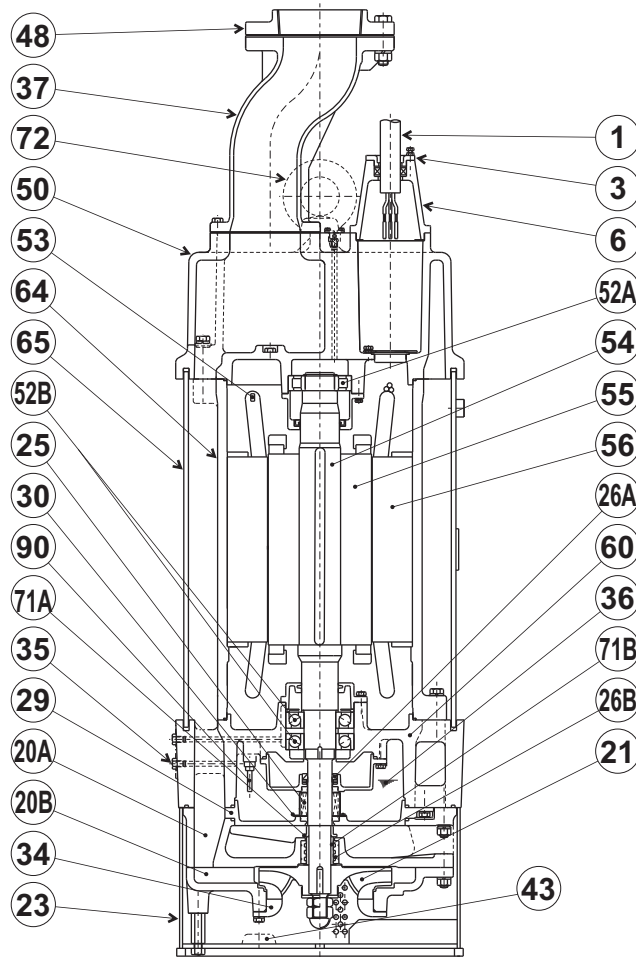




LH - SERIES (SCS14)
STAINLESS STEEL CASTING DEWATERING PUMPS

SECTIONAL VIEW

LH6110-14-69
 LH8110-14-69



ITEM#	DESCRIPTION	MAIN MATERIAL / NOTE	ASTM, AISI CODE	RELATED EN CODE	Q'TY
1	Power Cable	Chloroprene Sheath AWG #3 , 4/1, #4/3 -65ft			1
	Power Cable	Chloroprene Sheath AWG #3 -65ft			1
3	Gland	Stainless Steel Casting	A743 CF-8M	GX5CrNiMo19-11-2	2
6	Stuffing Box	Stainless Steel Casting	A743 CF-8M	GX5CrNiMo19-11-2	2
20A	Upper Pump Casing	Stainless Steel Casting	A743 CF-8M	GX5CrNiMo19-11-2	1
20B	Lower Pump Casing	Stainless Steel Casting	A743 CF-8M	GX5CrNiMo19-11-2	1
21	Impeller	Stainless Steel Casting	A743 CF-8M	GX5CrNiMo19-11-2	1
23	Suction Strainer	Stainless Steel	S 31600	1.4401	1
25	Mechanical Seal	Silicon Carbide / H-50TX			1
26A	Oil Seal	NBR / SC507212			1
26B	Labyrinth Ring	Stainless Steel	S 31600	1.4401	1
29	Oil Casing	Stainless Steel Casting	A743 CF-8M	GX5CrNiMo19-11-2	1
30	Oil Lifter	Steel (Cold Rolled)	A109/A1008	EN 10130	1
34	Suction Mouth	Stainless Steel Casting	A743 CF-8M	GX5CrNiMo19-11-2	1
35	Oil Plug	Stainless Steel	S 31600	1.4401	2
36	Lubricant	Turbine Oil ISO VG32 or SAE 10W-20			
37	Discharge Pipe	Stainless Steel Casting / 6" JIS20K or 8" JIS10K	A743 CF-8M	GX5CrNiMo19-11-2	1
43	Cathodic Protection Plate	Aluminium Alloy			3
48	Companion Flange	Stainless Steel Casting / 6" JIS20K or 8" JIS10K	A743 CF-8M	GX5CrNiMo19-11-2	1
50	Motor Bracket	Stainless Steel Casting	A743 CF-8M	GX5CrNiMo19-11-2	1
52A	Upper Bearing	#NU312			1
52B	Lower Bearing	#7313ADB			1
53	Motor Protector				3
54	Shaft	Stainless Steel	S 31600	1.4401	1
55	Rotor				1
56	Stator				1
60	Bearing Housing	Stainless Steel Casting + Cast Iron	A743 CF-8M + A48M Class30B	GX5CrNiMo19-11-2 + EN 1561 GJL-200	1
64	Motor Housing	Stainless Steel Casting	A743 CF-8M	GX5CrNiMo19-11-2	1
65	Outer Cover	Stainless Steel	S 31600	1.4401	1
71A	Shaft Sleeve (Upper)	Stainless Steel	S 31600	1.4401	1
71B	Shaft Sleeve (Lower)	Stainless Steel	S 31600	1.4401	1
72	Lifting Lug Bolt	Steel	A668/A668M ClassC	EN10083-1 C25E, C25R	2
90	Leakage Sensor (Electrode)	Stainless Steel	S 30300	1.4305	1