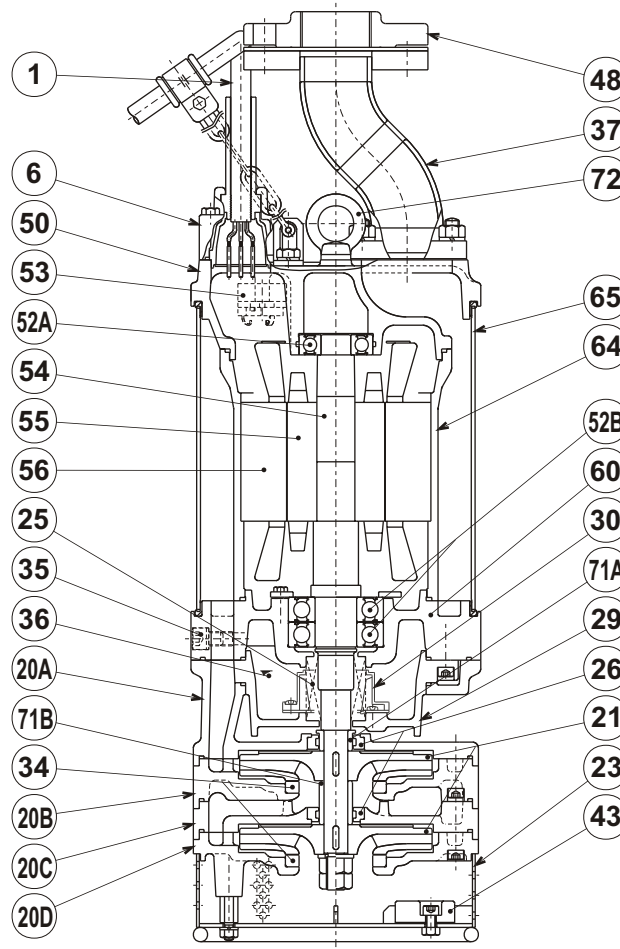


LH25.5W-60


ITEM#	DESCRIPTION	MAIN MATERIAL / NOTE	ASTM, AISI CODE	RELATED EN CODE	QTY
1	Power Cable	Chloroprene Sheath AWG12/4-65ft			1
6	Stuffing Box	Cast Iron	A48M Class30B	EN1561 GJL-200	1
20A	Upper Pump Casing	Ductile Cast Iron	A536 65-45-12	EN1563 GJS-450-10	1
20B	Lower Pump Casing	Cast Iron	A48M Class30B	EN1561 GJL-200	1
20C	Upper Pump Casing	Cast Iron	A48M Class30B	EN1561 GJL-200	1
20D	Lower Pump Casing	Cast Iron	A48M Class30B	EN1561 GJL-200	1
21	Impeller	High Chrome Cast Iron	A532 Class TypeA	DN 1695 G-X260Q27	2
23	Suction Strainer	Steel	A283 Grade D	EN10025 S275	1
25	Mechanical Seal	Silicon Carbide / HT-2530N			1
26	Labyrinth Ring	Stainless Steel	S 30400	1.4301	2
29	Oil Casing	Ductile Cast Iron	A536 65-45-12	EN1563 GJS-500-7	1
30	Oil Lifter	PBTResin W/GF40			1
34	Mouth Ring	High Chrome Cast Iron	A532 Class TypeA	DN 1695 G-X260Q27	2
35	Oil Plug	Stainless Steel	S 30400	1.4301	1
36	Lubricant	Turbine Oil ISO VG32 or SAE 10W-20			
37	Discharge Pipe	Steel Pipe (& Steel) / 2" JIS10K	A53 Type F (& A283 Grade D)	DN 1615 St 33 (& EN 10025 S275)	1
43	Cathodic Protection Plate	Zinc Anode			2
48	Companion Flange	Cast Iron / NPT 2" JIS10K	A48M Class30B	EN1561 GJL-200	1
50	Motor Bracket	Cast Iron	A48M Class30B	EN1561 GJL-200	1
52A	Upper Bearing	#6305ZZC3			1
52B	Lower Bearing	#6307ZZD2C3			1
53	Motor Protector				1
54	Shaft	Stainless Steel	S 42000	1.4028	1
55	Rotor				1
56	Stator				1
60	Bearing Housing	Cast Iron	A48M Class30B	EN1561 GJL-200	1
64	Motor Housing	Cast Iron	A48M Class30B	EN1561 GJL-200	1
65	Outer Cover	Steel	A283 Grade D	EN10025 S275	1
71A	Shaft Sleeve (Upper)	Stainless Steel	S 40300	1.4000	1
71B	Shaft Sleeve (Lower)	Stainless Steel	S 40300	1.4000	1
72	Lifting Lug Bolt	Stainless Steel	S 30400	1.4301	2