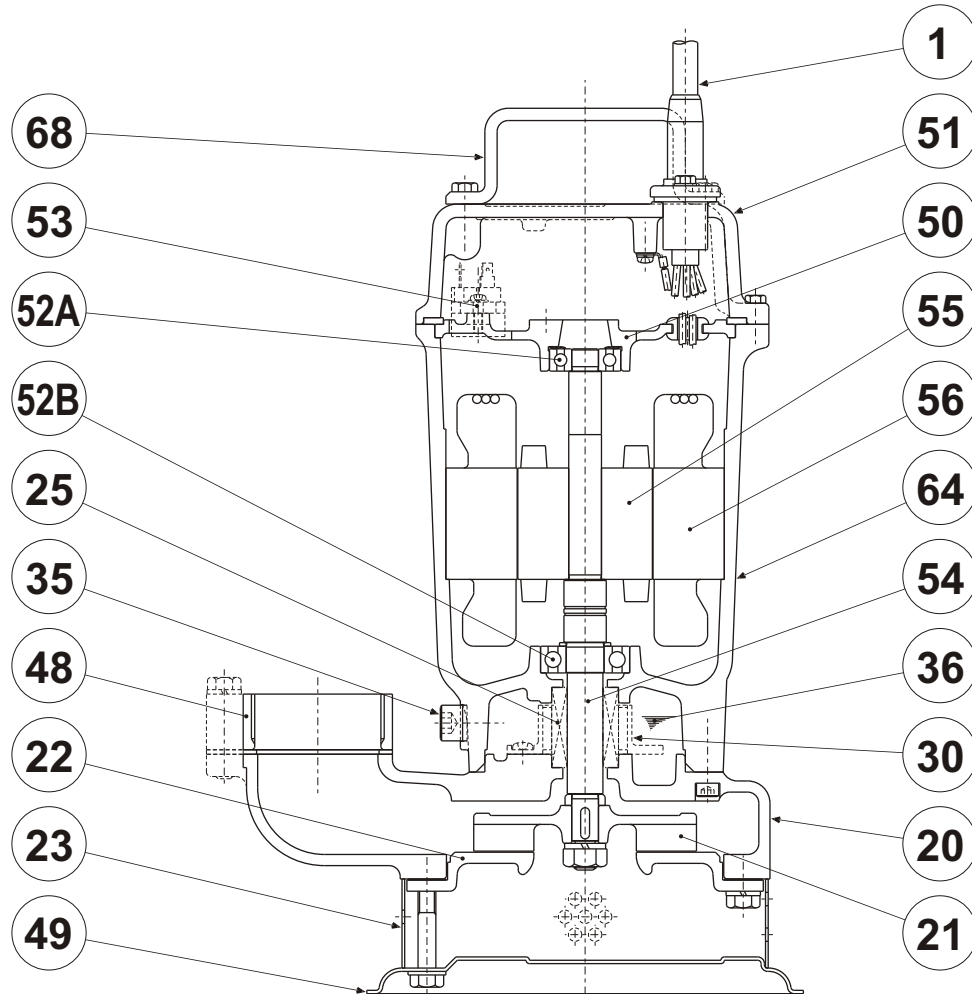


50SFQ2.75-62


PART#	DESCRIPTION	MAIN MATERIAL / NOTE	ASTM, AISI CODE	RELATED DIN CODE	QTY
1	Power Cable	PVC Sheath AWG16/4-32ft			1
20	Pump Casing	Stainless Steel Casting	A743 CF-8M	GX5CrNiMo 19-11-2	1
21	Impeller	Stainless Steel Casting	A743 CF-8M	GX5CrNiMo 19-11-2	1
22	Suction Cover	Stainless Steel Casting	A743 CF-8M	GX5CrNiMo 19-11-2	1
23	Suction Strainer	Stainless Steel	S 31600	1.4401	1
25	Mechanical Seal	Silicon Carbide / X-16W			1
30	Oil Lifter	PBT Plastic w/(GF+MD)40			1
35	Oil Plug	Stainless Steel / M10x20L	AISI 316	17440 X 5 CrNiMo 17122	1
36	Lubricant	Turbine Oil ISO VG32 or SAE10W/20W			
48	Companion Flange	Stainless Steel Casting / NPT 2"	A743 CF-8M	17445 G-X 6 CrNiMo 1810	1
49	Bottom Plate	Stainless Steel	S 31600	1.4401	1
50	Motor Bracket	Cast Iron	A48M Class 25B	EN 1561 GJL-150	1
51	Motor Head Cover	Stainless Steel Casting	A743 CF-8M	GX5CrNiMo 19-11-2	1
52A	Upper Bearing	#6201ZZC3			1
52B	Lower Bearing	#6203ZZC3			1
53	Motor Protector				1
54	Shaft	Stainless Steel	S 31600	1.4401	1
55	Rotor				1
56	Stator				1
64	Motor Housing	Stainless Steel Casting	A743 CF-8M	GX5CrNiMo 19-11-2	1
68	Handle	Stainless Steel	S 31600	1.4401	1