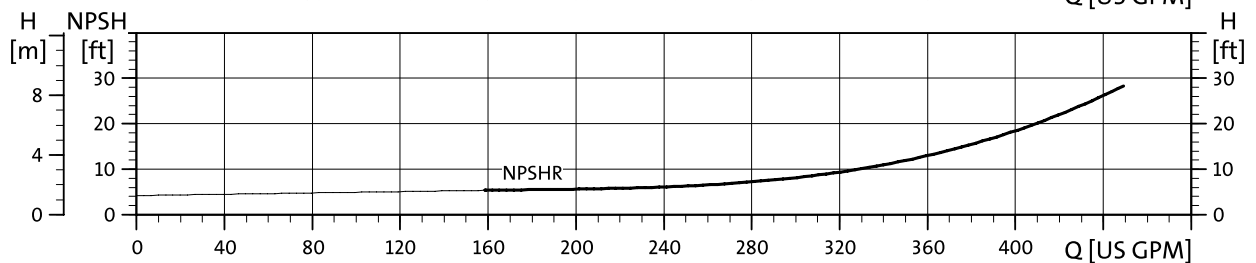
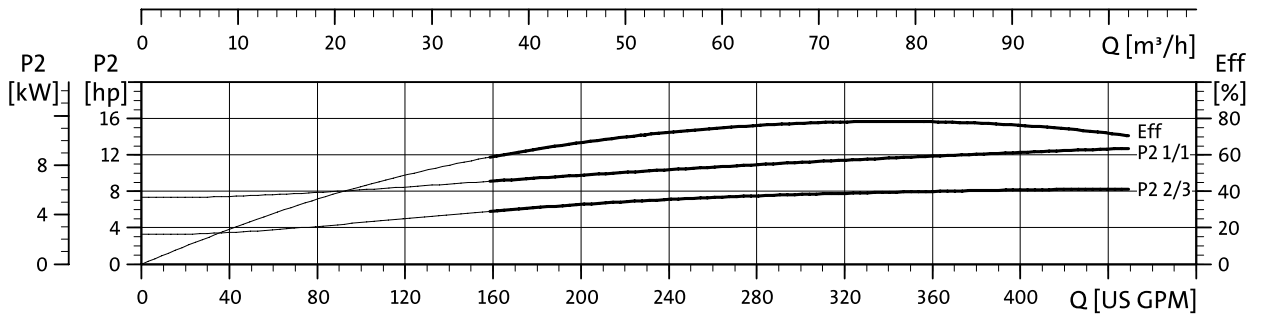
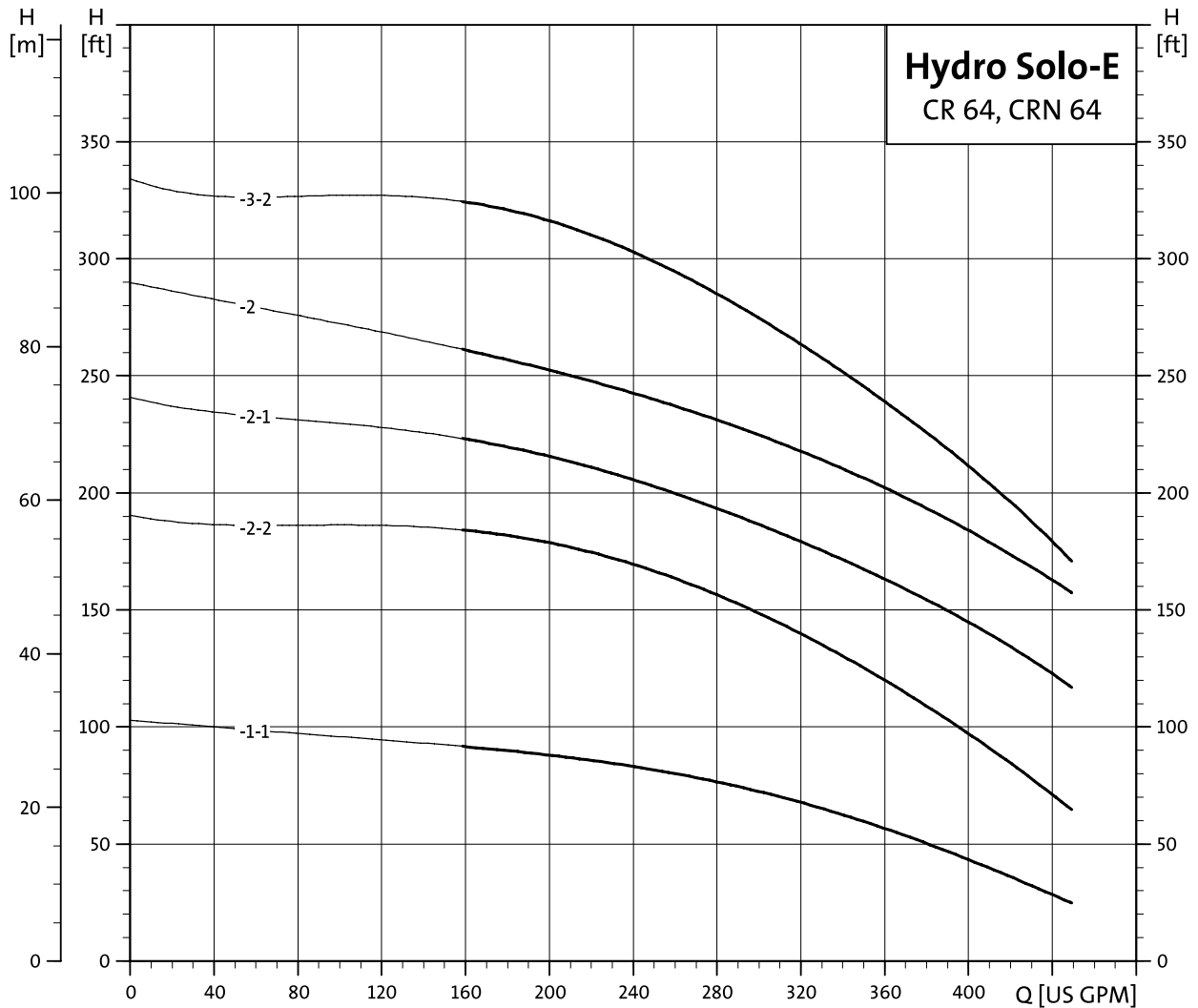
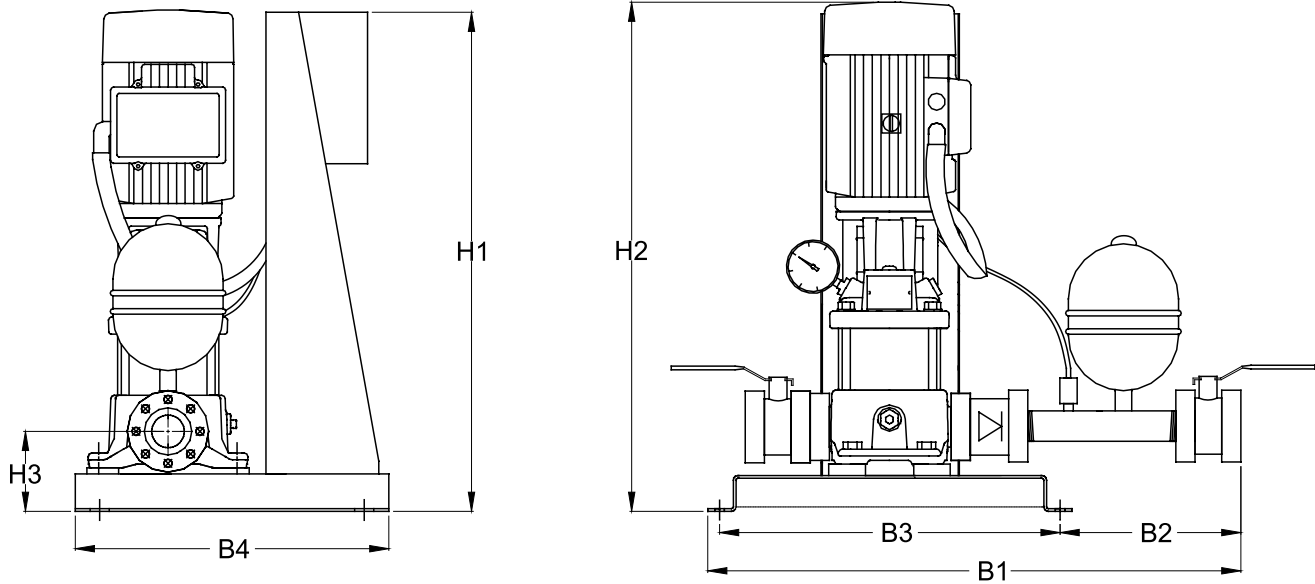


# Technical data

## Hydro Solo-E / CR (I) 64

CR (N) 64





Hydro Solo-E CR(N)32, CR(N)45, CR(N)64, CR(N)90- 3 phase with Variable Frequency Drive (VFD)

\* Drawings not to scale

MODELS	HP	Supply Voltage				System connection	Dimensions (mm)							Weight (lbs)	Shipping Volume (ft <sup>3</sup> )
		1 x 230V	3 x 208-230V	3 x 460V	3 x 575V		B1	B2	B3	B4	H1	H2	H3		
<b>CR 64</b>															
CR 64-1-1	7- 1/2		•	•	•	4" 150 LB ANSI	851.3	255.9	570.0	636.0	1140.0	987.8	199.9	775.5	55.5
CR 64-2-2	15		•	•	•	4" 150 LB ANSI	851.3	255.9	570.0	636.0	1140.0	1297.5	199.9	939.50	55.5
CR 64-2-1	20		•	•	•	4" 150 LB ANSI	851.3	255.9	570.0	636.0	1140.0	1341.5	199.9	1077.5	55.5
CR 64-2	25		•	•	•	4" 150 LB ANSI	851.3	255.9	570.0	636.0	1140.0	1363.4	199.9	1077.5	55.5
CR 64-3-2	30		•	•	•	4" 150 LB ANSI	851.3	255.9	570.0	636.0	1140.0	1484.0	199.9	1102.5	55.5