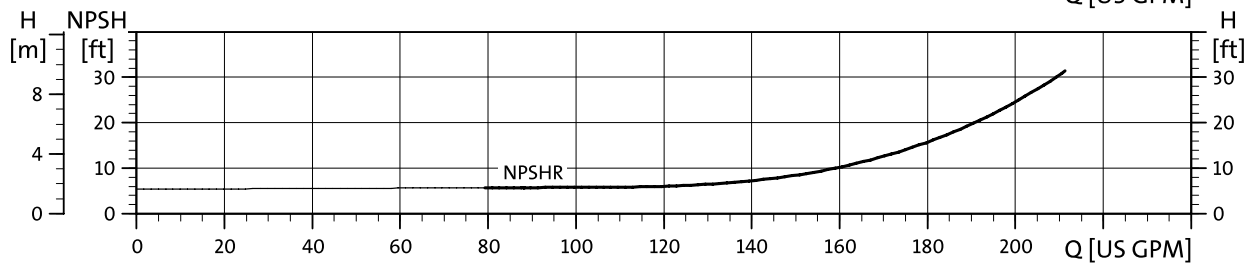
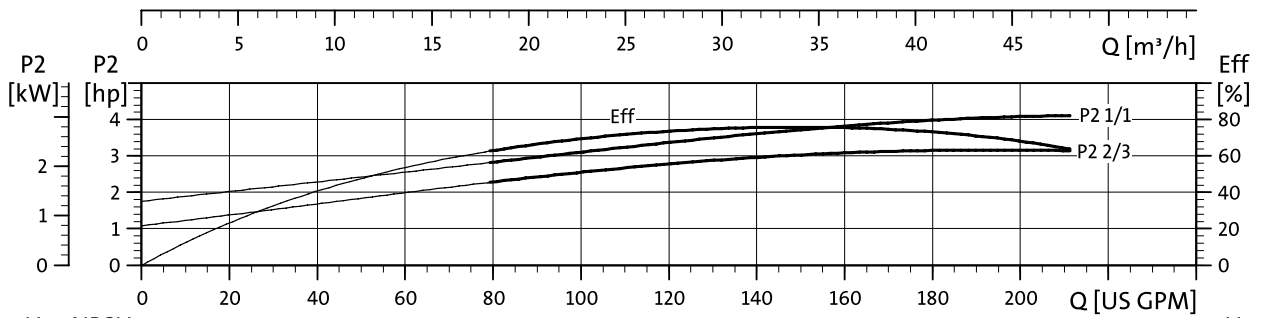
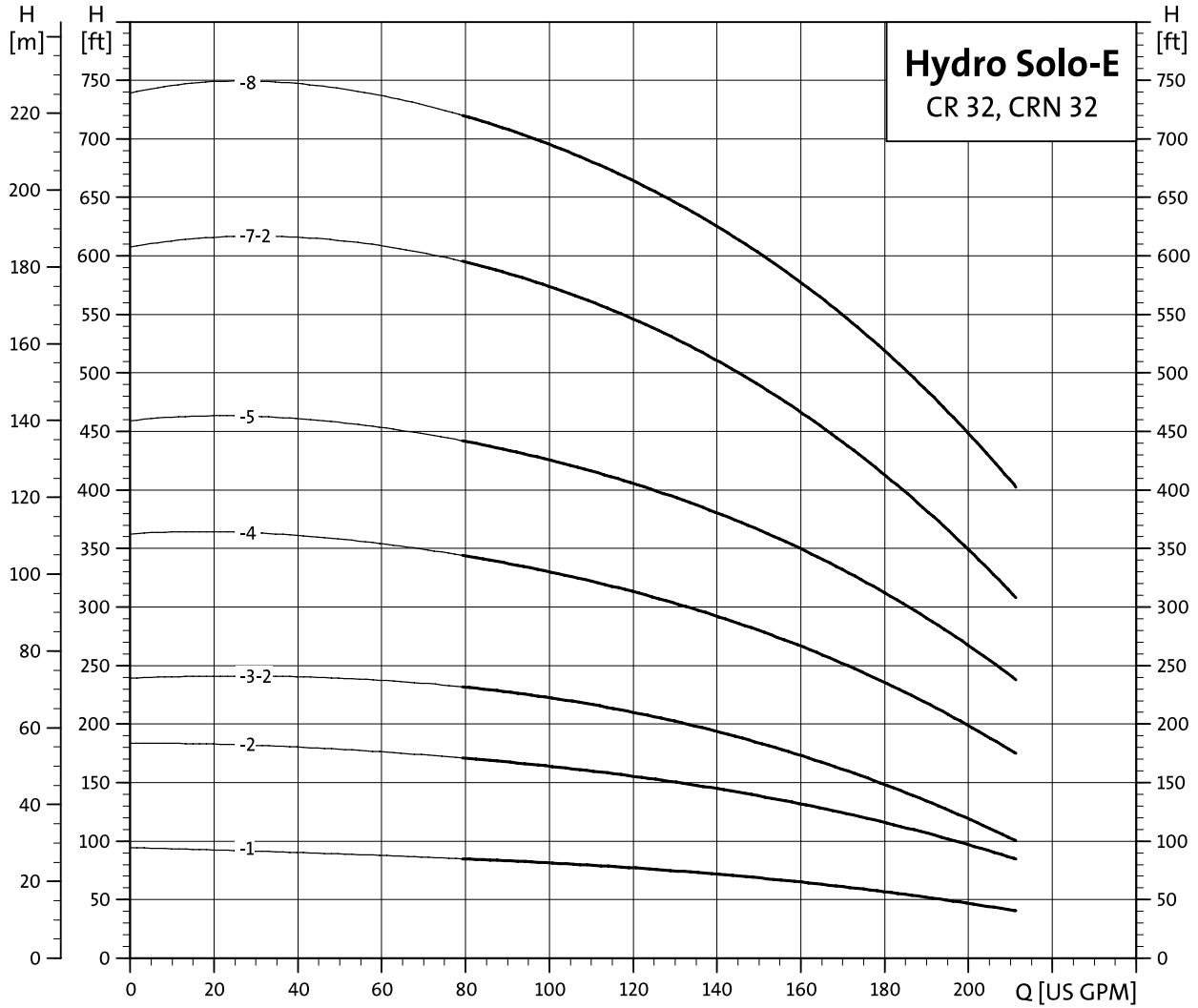
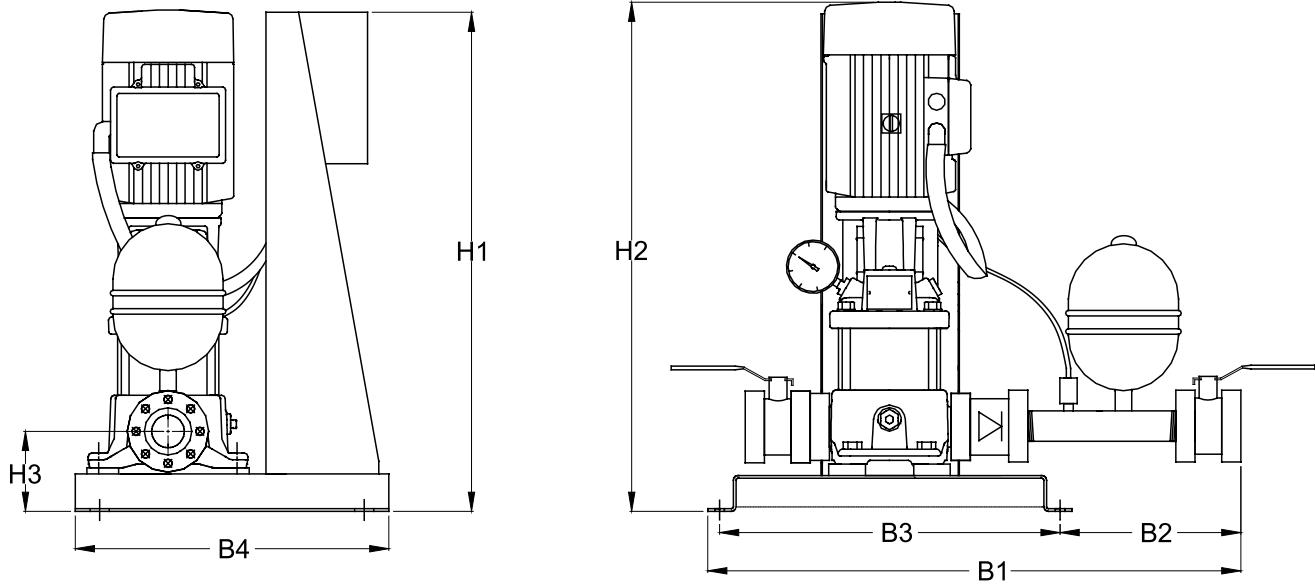


Technical data

Hydro Solo-E / CR (I) 32

CR (N) 32





Hydro Solo-E CR(N)32, CR(N)45, CR(N)64, CR(N)90- 3 phase with Variable Frequency Drive (VFD)

* Drawings not to scale

MODELS	HP	Supply Voltage				System connection	Dimensions (mm)							Weight (lbs)	Shipping Volume (ft ³)
		1 x 230V	3 x 208-230V	3 x 460V	3 x 575V		B1	B2	B3	B4	H1	H2	H3		
CR 32															
CR 32-1	5		•	•	•	3" 150 LB ANSI	791.6	231.9	570.0	636.0	1140.0	894.8	164.9	571.5	52.6
CR 32-2	7 1/2		•	•	•	3" 150 LB ANSI	791.6	231.9	570.0	636.0	1140.0	1003.7	164.9	595.5	52.6
CR 32-3-2	10		•	•	•	3" 150 LB ANSI	791.6	231.9	570.0	636.0	1140.0	1120.8	164.9	650.5	52.6
CR 32-4	15		•	•	•	3" 150 LB ANSI	791.6	231.9	570.0	636.0	1140.0	1367.33	164.9	815.5	52.6
CR 32-5	20		•	•	•	3" 150 LB ANSI	791.6	231.9	570.0	636.0	1140.0	1481.2	164.9	966.5	52.6
CR 32-7-2	25		•	•	•	3" 300 LB ANSI	801.6	241.9	570.0	636.0	1140.0	1642.8	164.9	983.5	53.1
CR 32-8	30		•	•	•	3" 300 LB ANSI	801.6	241.9	570.0	636.0	1140.0	1753.9	164.9	1016.5	53.1