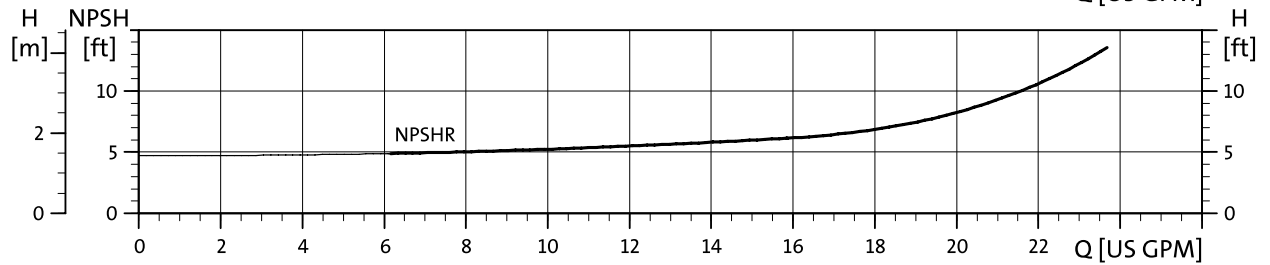
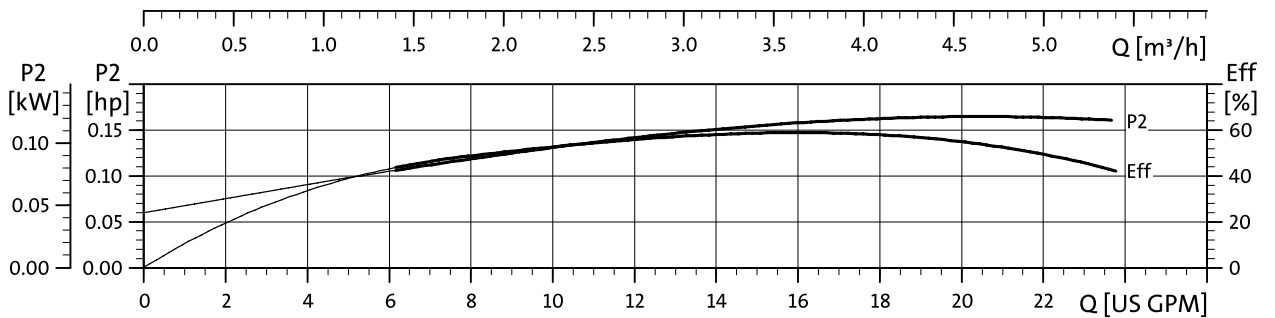
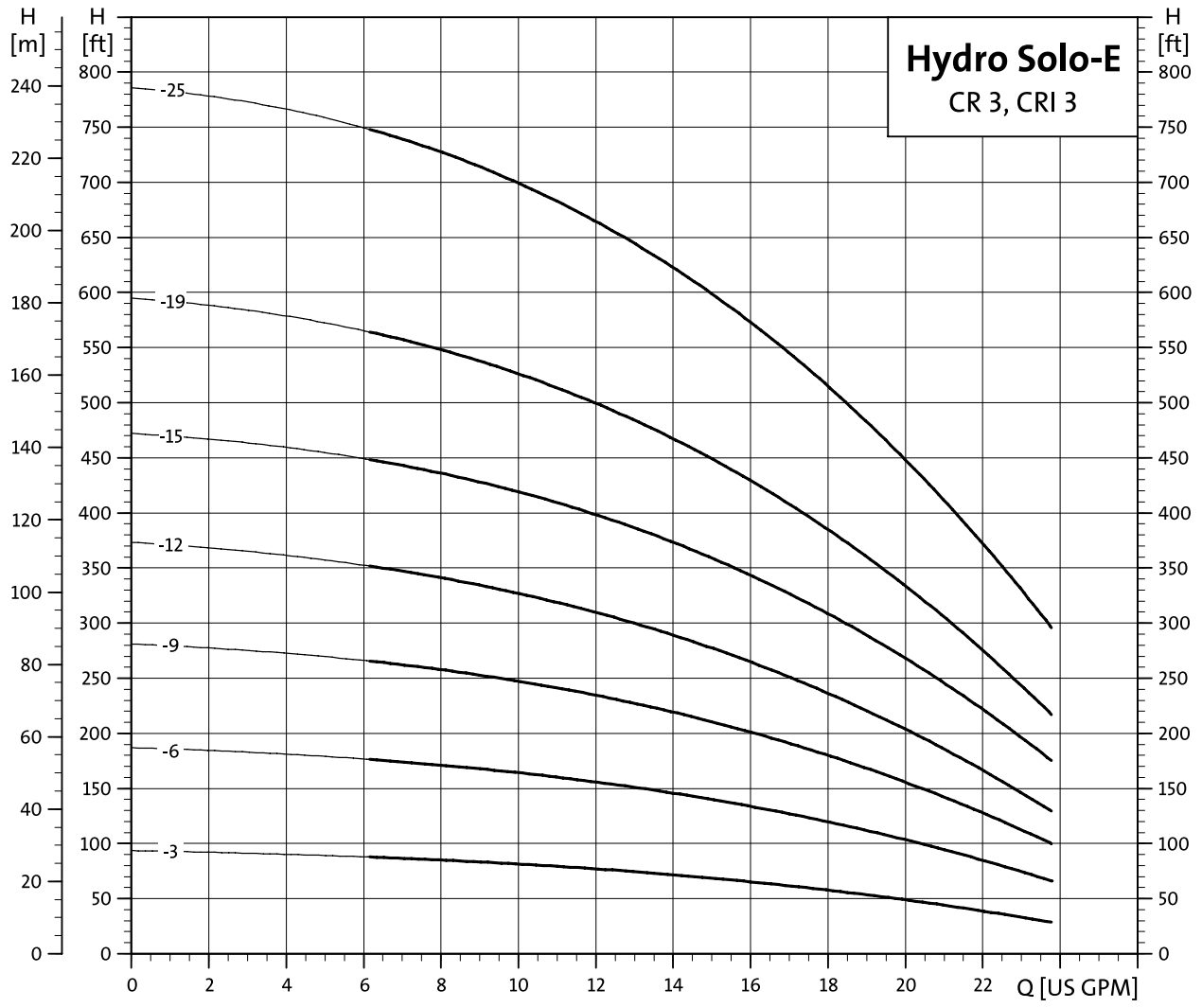
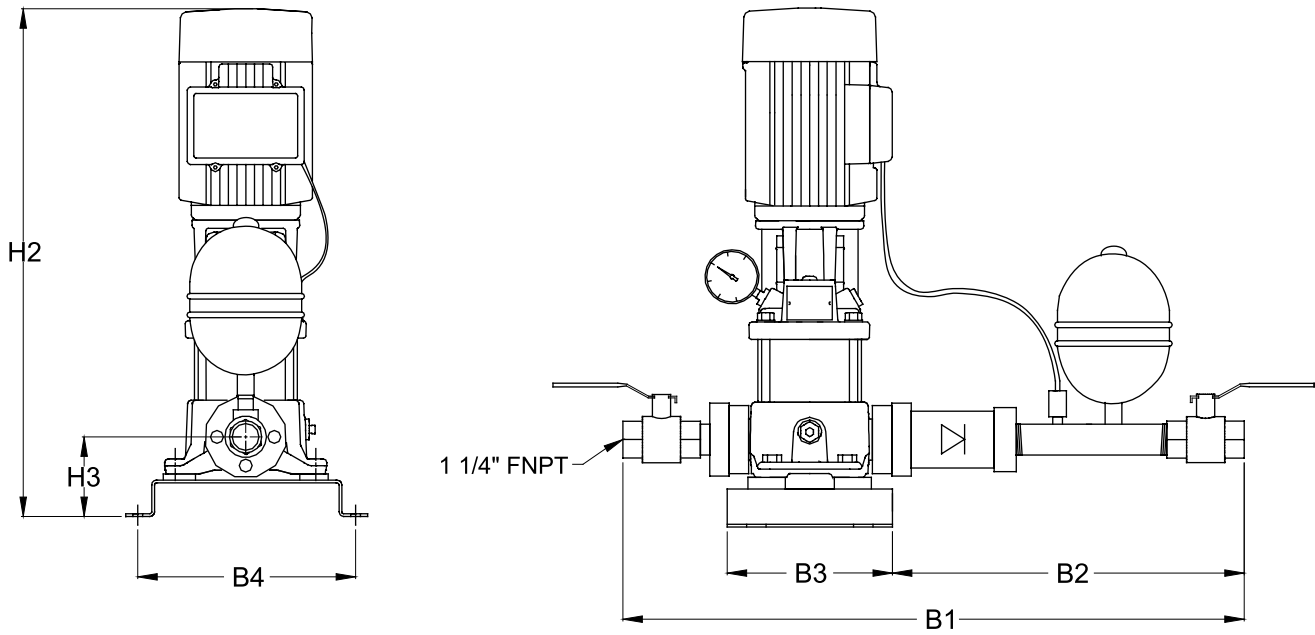


Technical data

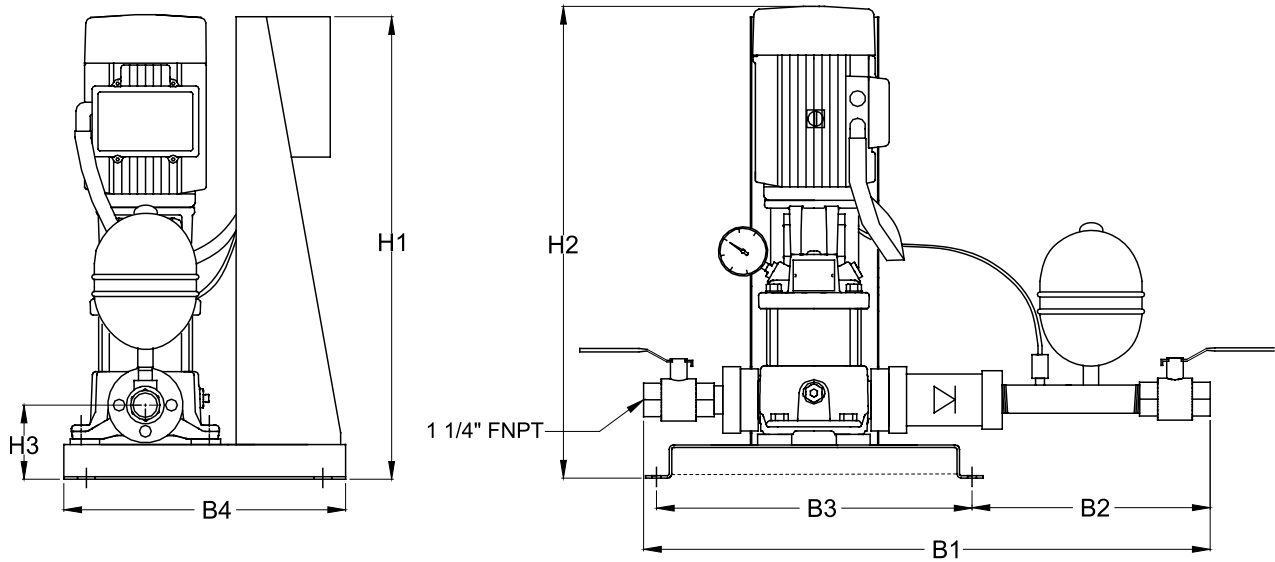
Hydro Solo-E / CR (I) 3

CR (I) 3





Hydro Solo-E CR(I)1, CR(I)3,CR(I)5 - 1 x 230V, 3 x 460V with Grundfos MLE motors



Hydro Solo-E CR(I)1, CR(I)3,CR(I)5- 3 x 208-230V, 3 X 575V with Variable Frequency Drive (VFD)

* Drawings not to scale

MODELS	HP	Supply Voltage				System connection	Dimensions (mm)							Weight (lbs)	Shipping Volume (ft³)
		1 x 230V	3 x 208-230V	3 x 460V	3 x 575V		B1	B2	B3	B4	H1	H2	H3		

CR 3

CR 3-3	1/2	•				1 1/4" FNPT	858.7	501.7	203.2	304.8	-	568.0	148.9	111.6	21.7
CR 3-6	1	•				1 1/4" FNPT	858.7	501.7	203.2	304.8	-	663.2	148.9	117.6	24.1
CR 3-9	1- 1/2	•				1 1/4" FNPT	858.7	501.7	203.2	304.8	-	717.2	148.9	126.6	25.5
CR 3-12	2		•		•	1 1/4" FNPT	858.7	350.9	570.3	509.0	1140.0	808.8	148.9	188.1	48.1
				•		1 1/4" FNPT	858.7	501.7	203.2	304.8	-	831.5	148.9	174.1	28.3
CR 3-15	3		•		•	1 1/4" FNPT	858.7	350.9	570.3	509.0	1140.0	923.2	148.9	255.1	48.1
				•		1 1/4" FNPT	858.7	501.7	203.2	304.8	-	961.7	148.9	222.1	31.6
CR 3-19	3		•		•	1 1/4" FNPT	858.7	350.9	570.3	509.0	1140.0	993.0	148.9	258.1	48.1
				•		1 1/4" FNPT	858.7	501.7	203.2	304.8	-	1031.5	148.9	225.1	33.3
CR 3-25	5		•		•	1 1/4" FNPT	858.7	350.9	570.3	509.0	1140.0	1126.4	148.9	272.1	48.1
				•		1 1/4" FNPT	858.7	501.7	203.2	304.8	-	1193.5	148.9	257.1	37.4