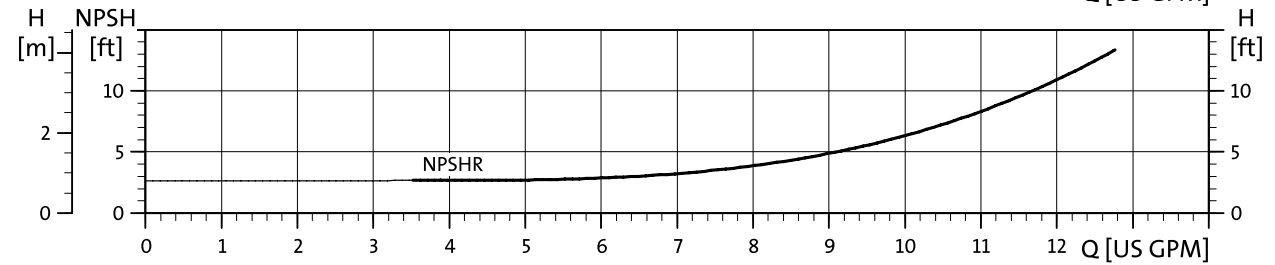
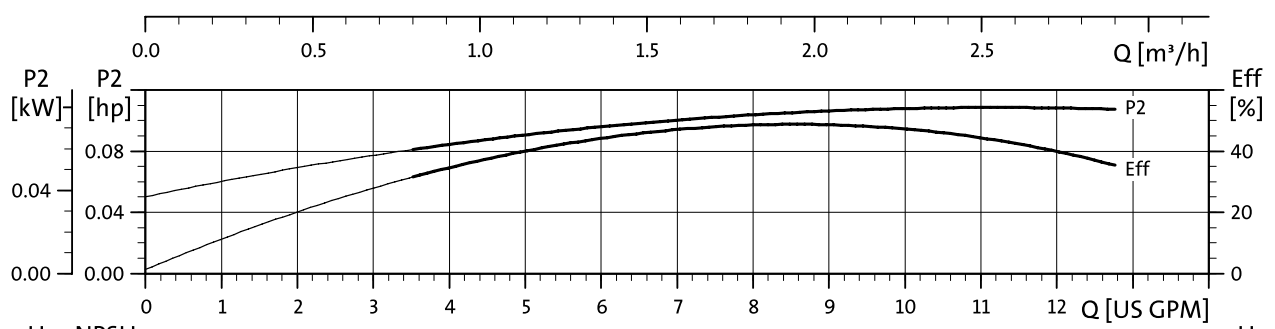
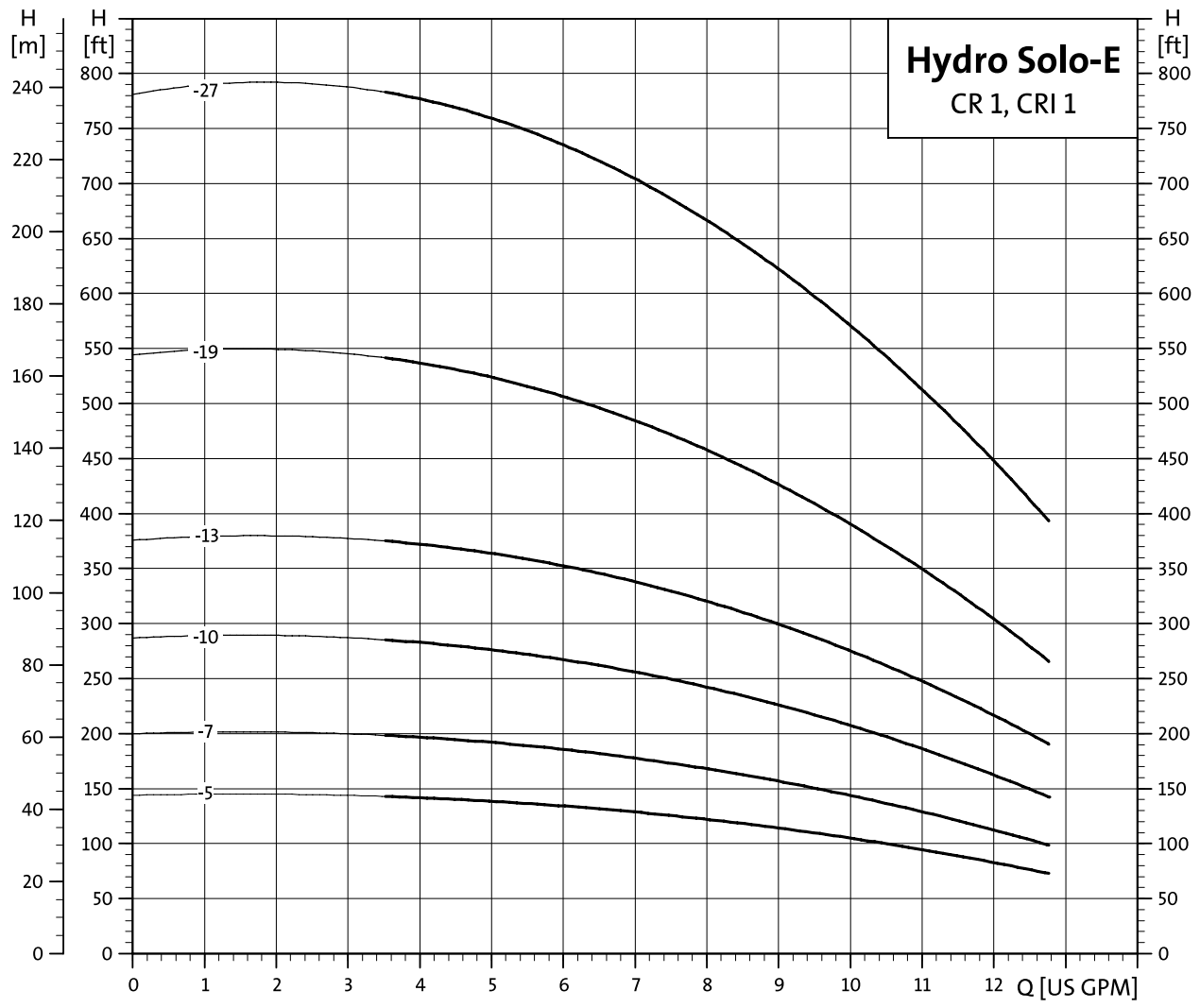
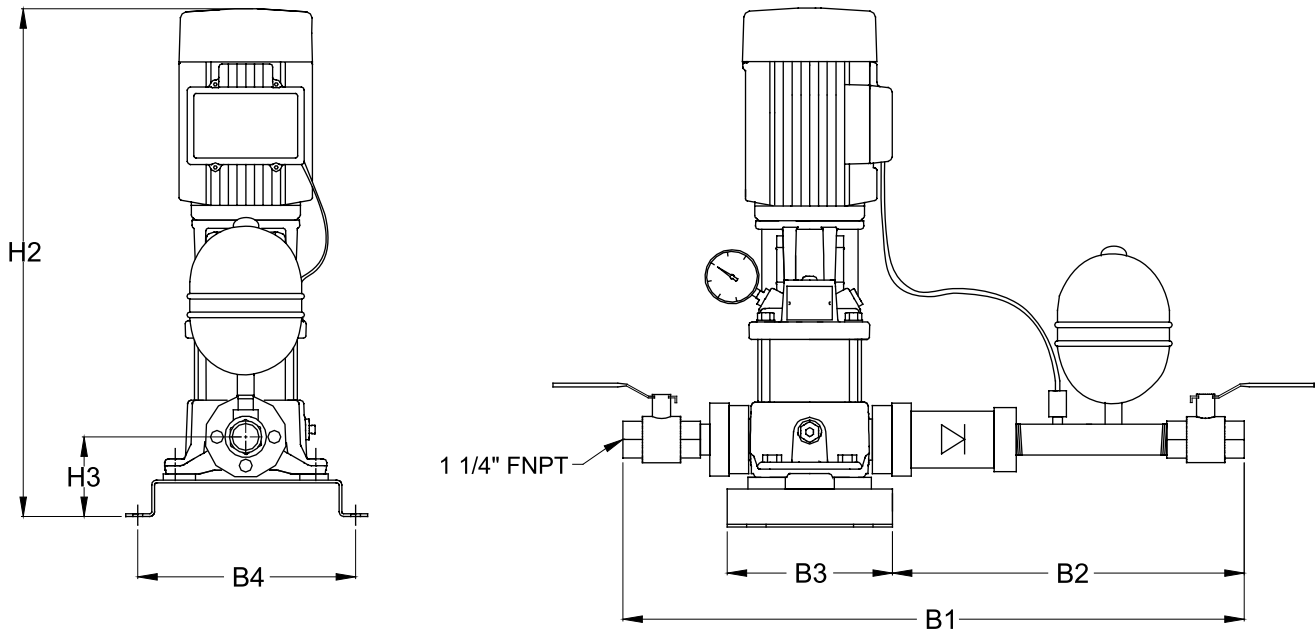


Technical data

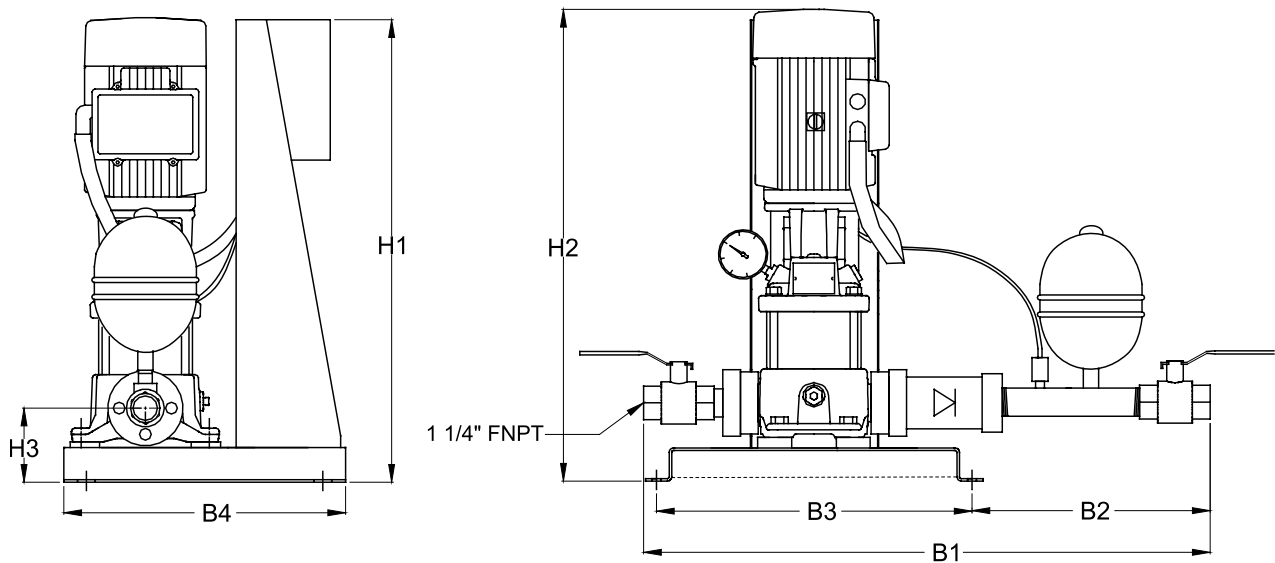
Hydro Solo-E / CR (I) 1

CR (I) 1





Hydro Solo-E CR(I)1, CR(I)3,CR(I)5 - 1 x 230V, 3 x 460V with Grundfos MLE motors



Hydro Solo-E CR(I)1, CR(I)3,CR(I)5- 3 x 208-230V, 3 X 575V with Variable Frequency Drive (VFD)

* Drawings not to scale

MODELS	HP	Supply Voltage				System connection	Dimensions (mm)							Weight (lbs)	Shipping Volume (ft ³)
		1 x 230V	3 x 208-230V	3 x 460V	3 x 575V		B1	B2	B3	B4	H1	H2	H3		

CR 1

CR 1-5	1/2	•				1 1/4" FNPT	858.7	501.7	203.2	304.8	-	606.1	148.9	112.6	22.7
CR 1-7	3/4	•				1 1/4" FNPT	858.7	501.7	203.2	304.8	-	641	148.9	115.6	23.6
CR 1-10	1	•				1 1/4" FNPT	858.7	501.7	203.2	304.8	-	736.2	148.9	124.6	26.0
CR 1-13	1 1/2	•				1 1/4" FNPT	858.7	501.7	203.2	304.8	-	787.0	148.9	130.6	27.2
CR 1-19	2		•		•	1 1/4" FNPT	858.7	350.9	570.3	509.0	1140.0	935.8	148.9	193.1	48.1
				•		1 1/4" FNPT	858.7	501.7	203.2	304.8	-	956.0	148.9	179.1	31.5
CR 1-27	3		•		•	1 1/4" FNPT	858.7	350.9	570.3	509.0	1140.0	1139.1	148.9	268.1	48.1
				•		1 1/4" FNPT	858.7	501.7	203.2	304.8	-	956.0	148.9	233.1	31.5