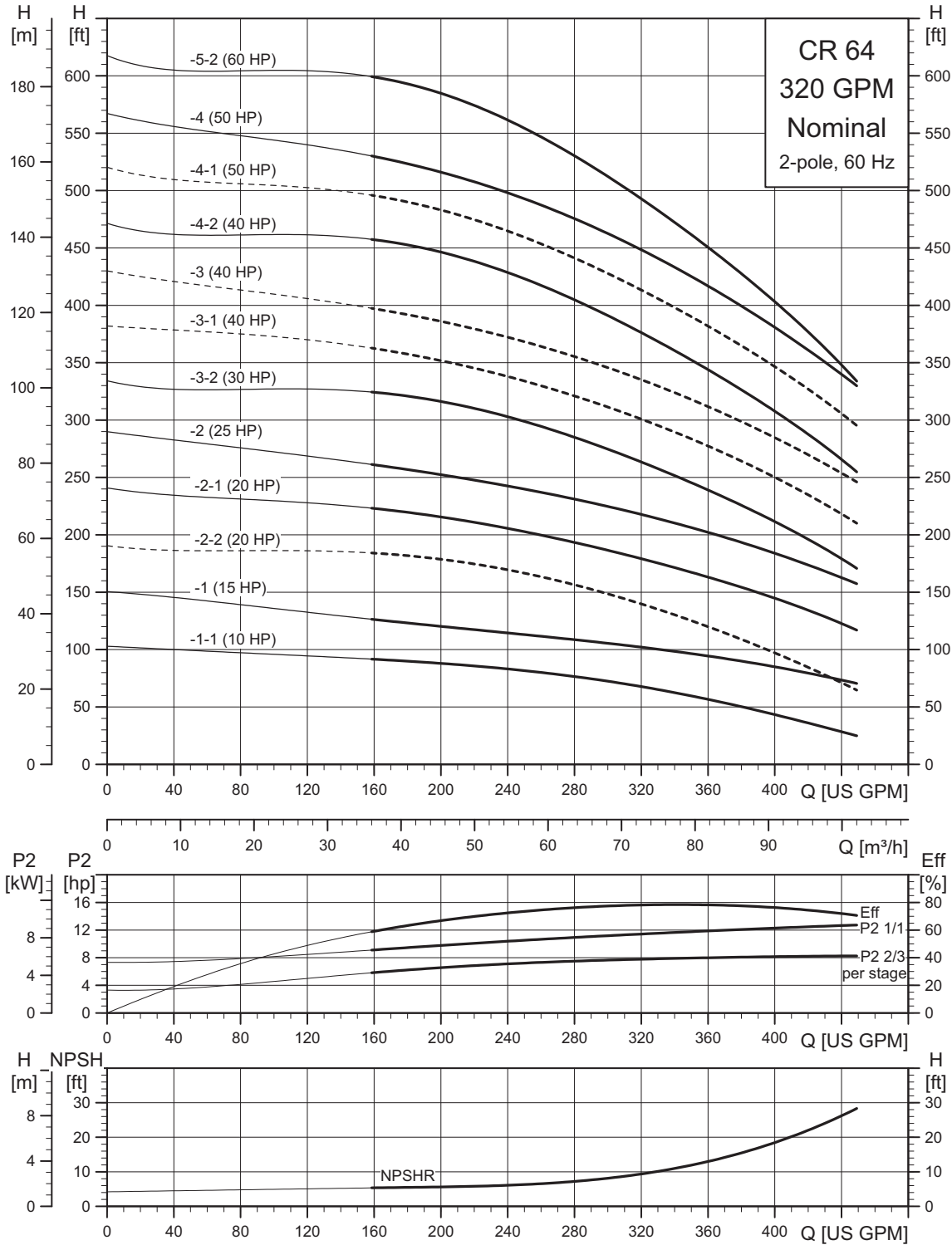


Performance curves

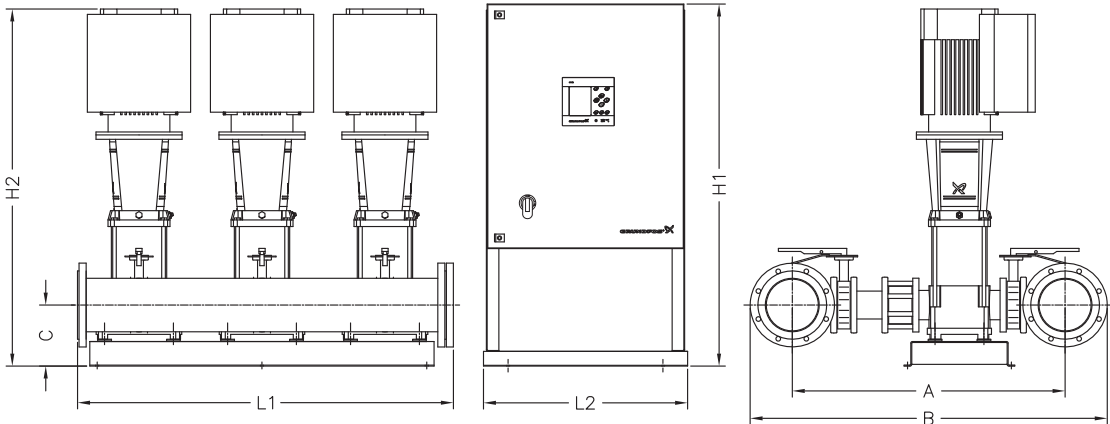
CR 64



Pump curves shown with solid bold line represent standard BoosterpaQ pump offerings. Pump curves shown with dashed line represent non-standard BoosterpaQ pump offerings, which are available upon request.

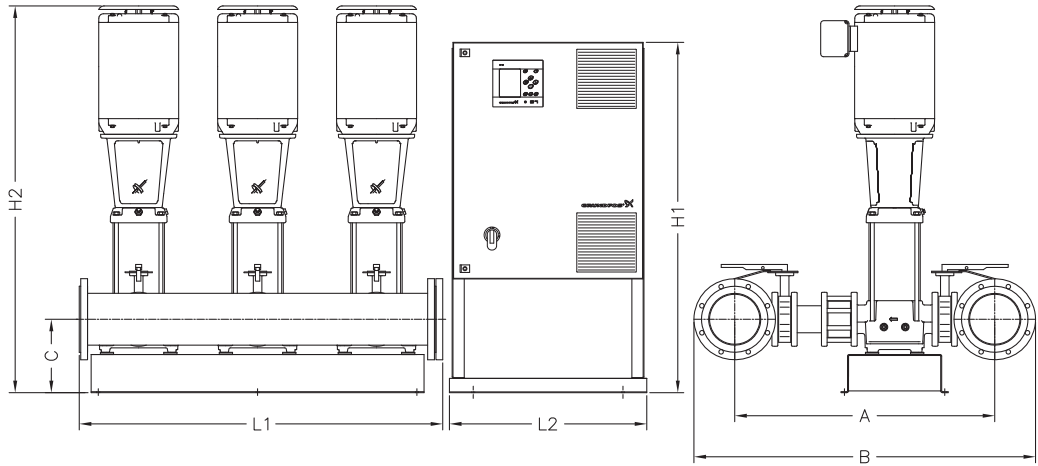
TM05 1573 3211

Hydro MPC BoosterpaQ with CR(E) 64 pumps



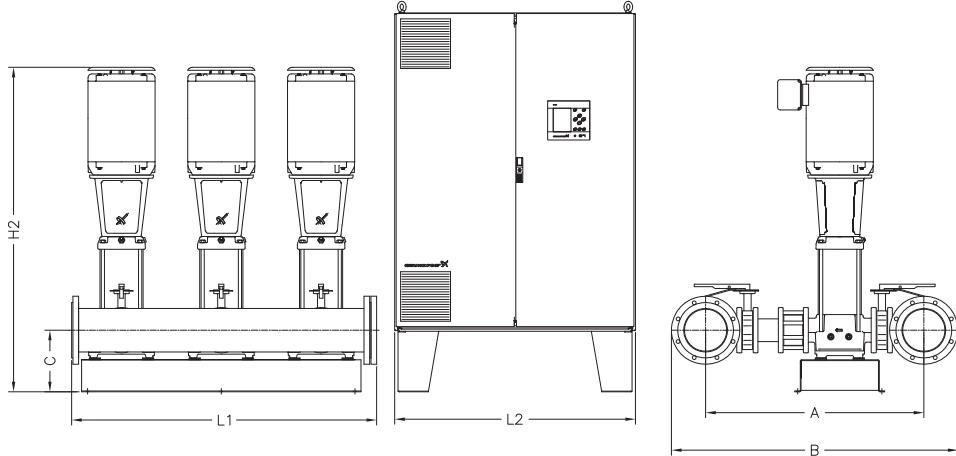
TM05 5888 4112

Fig. 56 Drawing of a Hydro MPC booster set with integrated VFD/motors and control panel and pumps on separate base plates. (Design A)



TM05 5890 4112

Fig. 57 Drawing of a Hydro MPC booster set with control panel and pumps on separate base plates. (Design B)



TM05 5889 4112

Fig. 58 Drawing of a Hydro MPC booster set with a floor-mounted control panel. (Design C)

Hydro MPC-E BoosterpaQ with CRE 64 pumps

No. of pumps	Pump type	Motor [hp]	Connect. size [in.]	A [in]	B [in]	C [in]	H1 [in]	H2 [in]	L1 [in]	L2 [in]	Panel dim. HxWxD [in]	Wt. w/out panel [lb]	Wt. w/panel [lb]	Design
2	CRE 64-1-1	10	6" ANSI	43.5	54.5	8.3	57.9	40.3	40.4	24.8	30x24x9	832	929	B
	CRE 64-1	15					57.9	48.0	40.4	24.8	30x24x9	1208	1305	B
	CRE 64-2-1	20					57.9	51.2	40.4	24.8	30x24x9	1216	1315	B
	CRE 64-2	25					57.9	55.2	40.4	32.7	40x32x12	1274	1428	B
	CRE 64-3-2	30					57.9	58.4	40.4	32.7	40x32x12	1342	1496	B
3	CRE 64-1-1	10	8" ANSI	43.2	56.7	9.8	57.9	41.8	60.2	24.8	30x24x9	1241	1350	B
	CRE 64-1	15					57.9	49.5	60.2	32.7	40x32x12	1805	1969	B
	CRE 64-2-1	20					57.9	52.8	60.2	32.7	40x32x12	1817	1984	B
	CRE 64-2	25					57.9	56.8	60.2	32.7	40x32x12	1904	2071	B
	CRE 64-3-2	30					57.9	60.0	60.2	32.7	40x32x12	2006	2173	B
4	CRE 64-1-1	10	8" ANSI	43.2	56.7	9.8	57.9	41.8	79.9	24.8	30x24x9	1590	1711	B
	CRE 64-1	15					57.9	49.5	79.9	32.7	40x32x12	2342	2518	B
	CRE 64-2-1	20					57.9	52.8	79.9	32.7	40x32x12	2358	2538	B
	CRE 64-2	25					57.9	56.8	79.9	32.7	40x32x12	2474	2654	B
	CRE 64-3-2	30					57.9	60.0	79.9	32.7	40x32x12	2610	2790	B
5	CRE 64-1-1	10	10" ANSI	48.5	64.5	12.2	57.9	44.2	107.2	24.8	40x32x12	2331	2520	B
	CRE 64-1	15					57.9	51.9	107.2	TBD	Contact Factory	3271	TBD	B
	CRE 64-2-1	20					57.9	55.2	107.2	TBD	Contact Factory	3291	TBD	B
	CRE 64-2	25					57.9	59.1	107.2	TBD	Contact Factory	3436	TBD	B
	CRE 64-3-2	30					57.9	62.3	107.2	TBD	Contact Factory	3605	TBD	B
6	CRE 64-1-1	10	12" ANSI	50.9	69.9	12.2	57.9	44.2	110.2	32.7	40x32x12	2381	2582	B
	CRE 64-1	15					57.9	51.9	110.2	TBD	Contact Factory	4036	TBD	B
	CRE 64-2-1	20					57.9	55.2	110.2	TBD	Contact Factory	4060	TBD	B
	CRE 64-2	25					57.9	59.1	110.2	TBD	Contact Factory	4234	TBD	B
	CRE 64-3-2	30					57.9	62.3	110.2	TBD	Contact Factory	4437	TBD	B

Design A: Hydro MPC booster set with a control panel mounted on the same base plate as the pumps.

Design B: Hydro MPC booster set with a control panel and pumps mounted on separate base plates.

Design C: Hydro MPC booster set with a floor mounted control panel.

Note: All control panel dimensions based on 460/3/60 power. Dimensions may vary ± 1 in. and vary due to options requested and component changes. Please contact Grundfos for a Certified drawing for construction purposes.

Hydro MPC-E(CUE) BoosterpaQ with CR 64 pumps

No. of pumps	Pump type	Motor [hp]	Connect. size [in.]	A [in]	B [in]	C [in]	H1 [in]	H2 [in]	L1 [in]	L2 [in]	Panel dim. HxWxD [in]	Wt. w/out panel [lb]	Wt. w/panel [lb]	Design
2	CR 64-1-1	10	6" ANSI	43.5	54.5	8.3	60.0	40.4	40.4	36.0	48x36x16	816	1072	C
	CR 64-1	15					60.0	45.8	40.4	36.0	48x36x16	922	1233	C
	CR 64-2-1	20					60.0	49.0	40.4	36.0	48x36x16	1050	1363	C
	CR 64-2	25					60.0	52.3	40.4	36.0	48x36x16	1014	1327	C
	CR 64-3-2	30					75.0	58.9	40.4	48.0	63x48x20	1124	1638	C
	CR 64-3	40					75.0	58.9	40.4	48.0	63x48x20	1242	1759	C
3	CR 64-1-1	10	8" ANSI	43.2	56.7	9.8	75.0	41.9	60.2	48.0	63x48x20	1217	1660	C
	CR 64-1	15					75.0	47.3	60.2	48.0	63x48x20	1376	1902	C
	CR 64-2-1	20					75.0	50.6	60.2	48.0	63x48x20	1568	2097	C
	CR 64-2	25					75.0	53.9	60.2	48.0	63x48x20	1514	2043	C
	CR 64-3-2	30					75.0	60.4	60.2	48.0	63x48x20	1679	2266	C
	CR 64-3	40					75.0	60.4	60.2	48.0	63x48x20	1856	2447	C
4	CR 64-1-1	10	8" ANSI	43.2	56.7	9.8	75.0	41.9	79.9	48.0	63x48x20	1558	2027	C
	CR 64-1	15					75.0	47.3	79.9	48.0	63x48x20	1770	2349	C
	CR 64-2-1	20					75.0	50.6	79.9	48.0	63x48x20	2026	2609	C
	CR 64-2	25					75.0	53.9	79.9	48.0	63x48x20	1954	2537	C
	CR 64-3-2	30					83.0	60.4	79.9	63.0	71x63x20	2174	2953	C
	CR 64-3	40					83.0	60.4	79.9	63.0	71x63x20	2410	3195	C
5	CR 64-1-1	10	10" ANSI	48.5	64.5	12.2	83.0	44.3	107.2	71.0	71x71x20	2291	2995	C
	CR 64-1	15					83.0	49.7	107.2	71.0	71x71x20	2556	3397	C
	CR 64-2-1	20					83.0	53.0	107.2	71.0	71x71x20	2876	3725	C
	CR 64-2	25					83.0	56.2	107.2	71.0	71x71x20	2786	3635	C
	CR 64-3-2	30					83.0	62.8	107.2	71.0	71x71x20	3060	4006	C
	CR 64-3	40					83.0	62.8	107.2	71.0	71x71x20	3355	4308	C
6	CR 64-1-1	10	12" ANSI	50.9	66.9	12.2	83.0	44.3	110.2	71.0	71x71x20	2860	3589	C
	CR 64-1	15					83.0	49.7	110.2	71.0	71x71x20	3178	4072	C
	CR 64-2-1	20					83.0	53.0	110.2	71.0	71x71x20	3562	4465	C
	CR 64-2	25					83.0	56.2	110.2	71.0	71x71x20	3454	4357	C
	CR 64-3-2	30					91.0	62.8	110.2	93.0	79x93x24	3783	4915	C
	CR 64-3	40					91.0	62.8	110.2	93.0	79x93x24	4137	5277	C

Design A: Hydro MPC booster set with a control panel mounted on the same base plate as the pumps.

Design B: Hydro MPC booster set with a control panel and pumps mounted on separate base plates.

Design C: Hydro MPC booster set with a floor mounted control panel.

Note: All control panel dimensions based on 460/3/60 power. Dimensions may vary ± 1 in. and vary due to options requested and component changes. Please contact Grundfos for a Certified drawing for construction purposes.

Hydro MPC-F BoosterpaQ with CR 64 pumps

No. of pumps	Pump type	Motor [hp]	Connect. size [in.]	A [in]	B [in]	C [in]	H1 [in]	H2 [in]	L1 [in]	L2 [in]	Panel dim. HxWxD [in]	Wt. w/out panel [lb]	Wt. w/panel [lb]	Design
2	CR 64-1-1	10	6" ANSI	43.5	54.5	8.3	60.0	40.4	40.4	36.0	48x36x16	816	1063	C
	CR 64-1	15					60.0	45.8	40.4	36.0	48x36x16	922	1196	C
	CR 64-2-1	20					60.0	49.0	40.4	36.0	48x36x16	1050	1332	C
	CR 64-2	25					60.0	52.3	40.4	36.0	48x36x16	1014	1296	C
	CR 64-3-2	30					60.0	58.9	40.4	36.0	48x36x16	1124	1425	C
	CR 64-3	40					60.0	58.9	40.4	36.0	48x36x16	1242	1555	C
3	CR 64-1-1	10	8" ANSI	43.2	56.7	9.8	60.0	41.9	60.2	36.0	48x36x16	1217	1478	C
	CR 64-1	15					60.0	47.3	60.2	36.0	48x36x16	1376	1664	C
	CR 64-2-1	20					60.0	50.6	60.2	36.0	48x36x16	1568	1867	C
	CR 64-2	25					60.0	53.9	60.2	36.0	48x36x16	1514	1813	C
	CR 64-3-2	30					60.0	60.4	60.2	36.0	48x36x16	1679	1997	C
	CR 64-3	40					75.0	60.4	60.2	47.0	63x47x20	1856	2355	C
4	CR 64-1-1	10	8" ANSI	43.2	56.7	9.8	60.0	41.9	79.9	36.0	48x36x16	1558	1833	C
	CR 64-1	15					60.0	47.3	79.9	36.0	48x36x16	1770	2073	C
	CR 64-2-1	20					75.0	50.6	79.9	47.0	63x47x20	2026	2505	C
	CR 64-2	25					75.0	53.9	79.9	47.0	63x47x20	1954	2433	C
	CR 64-3-2	30					75.0	60.4	79.9	47.0	63x47x20	2174	2672	C
	CR 64-3	40					75.0	60.4	79.9	47.0	63x47x20	2410	2933	C
5	CR 64-1-1	10	10" ANSI	48.5	64.5	12.2	75.0	44.3	107.2	47.0	63x47x20	2291	2743	C
	CR 64-1	15					75.0	49.7	107.2	47.0	63x47x20	2556	3036	C
	CR 64-2-1	20					75.0	53.0	107.2	47.0	63x47x20	2876	3376	C
	CR 64-2	25					75.0	56.2	107.2	63.0	63x63x20	2786	3415	C
	CR 64-3-2	30					75.0	62.8	107.2	63.0	63x63x20	3060	3709	C
	CR 64-3	40					75.0	62.8	107.2	63.0	63x63x20	3355	4035	C
6	CR 64-1-1	10	12" ANSI	50.9	66.9	12.2	75.0	44.3	110.2	63.0	63x63x20	2860	3455	C
	CR 64-1	15					75.0	49.7	110.2	63.0	63x63x20	3178	3801	C
	CR 64-2-1	20					75.0	53.0	110.2	63.0	63x63x20	3562	4209	C
	CR 64-2	25					75.0	56.2	110.2	63.0	63x63x20	3454	4101	C
	CR 64-3-2	30					75.0	62.8	110.2	63.0	63x63x20	3783	4450	C
	CR 64-3	40					83.0	62.8	110.2	71.0	71x71x20	4137	4921	C

Design A: Hydro MPC booster set with a control panel mounted on the same base plate as the pumps.

Design B: Hydro MPC booster set with a control panel and pumps mounted on separate base plates.

Design C: Hydro MPC booster set with a floor mounted control panel.

Note: All control panel dimensions based on 460/3/60 power. Dimensions may vary ± 1 in. and vary due to options requested and component changes. Please contact Grundfos for a Certified drawing for construction purposes.

Hydro MPC-S BoosterpaQ with CR 64 pumps

No. of pumps	Pump type	Motor [hp]	Connect. size [in.]	A [in]	B [in]	C [in]	H1 [in]	H2 [in]	L1 [in]	L2 [in]	Panel dim. HxWxD [in]	Wt. w/out panel [lb]	Wt. w/panel [lb]	Design
2	CR 64-1-1	10	6" ANSI	43.5	54.5	8.3	57.9	40.4	40.4	24.8	24x24x8	816	894	B
	CR 64-1	15					57.9	45.8	40.4	24.8	24x24x8	922	1000	B
	CR 64-2-1	20					57.9	49.0	40.4	24.8	24x24x8	1050	1132	B
	CR 64-2	25					57.9	52.3	40.4	24.8	24x24x8	1014	1096	B
	CR 64-3-2	30					57.9	58.9	40.4	24.8	24x24x8	1124	1206	B
	CR 64-3	40					57.9	58.9	40.4	24.8	40x32x12	1242	1408	B
3	CR 64-1-1	10	8" ANSI	43.2	56.7	9.8	57.9	41.9	60.2	24.8	24x24x8	1217	1308	B
	CR 64-1	15					57.9	47.3	60.2	24.8	40x32x12	1376	1543	B
	CR 64-2-1	20					57.9	50.6	60.2	24.8	40x32x12	1568	1742	B
	CR 64-2	25					57.9	53.9	60.2	24.8	40x32x12	1514	1688	B
	CR 64-3-2	30					57.9	60.4	60.2	32.7	40x32x12	1679	1852	B
	CR 64-3	40					57.9	60.4	60.2	32.7	40x32x12	1856	2041	B
4	CR 64-1-1	10	8" ANSI	43.2	56.7	9.8	57.9	41.9	79.9	24.8	40x32x12	1558	1738	B
	CR 64-1	15					57.9	47.3	79.9	24.8	40x32x12	1770	1950	B
	CR 64-2-1	20					57.9	50.6	79.9	24.8	40x32x12	2026	2215	B
	CR 64-2	25					57.9	53.9	79.9	24.8	40x32x12	1954	2143	B
	CR 64-3-2	30					57.9	60.4	79.9	32.7	40x32x12	2174	2363	B
	CR 64-3	40					57.9	60.4	79.9	32.7	40x32x12	2410	2614	B
5	CR 64-1-1	10	10" ANSI	48.5	64.5	12.2	57.9	44.3	107.2	32.7	47x32x12	2291	2513	B
	CR 64-1	15					57.9	49.7	107.2	32.7	47x32x12	2556	2778	B
	CR 64-2-1	20					57.9	53.0	107.2	32.7	47x32x12	2876	3112	B
	CR 64-2	25					57.9	56.2	107.2	32.7	47x32x12	2786	3022	B
	CR 64-3-2	30					57.9	62.8	107.2	32.7	47x32x12	3060	3297	B
	CR 64-3	40					57.9	62.8	107.2	32.7	47x32x12	3355	3611	B
6	CR 64-1-1	10	12" ANSI	50.9	66.9	12.2	57.9	44.3	110.2	32.7	47x32x12	2860	3095	B
	CR 64-1	15					57.9	49.7	110.2	32.7	47x32x12	3178	3413	B
	CR 64-2-1	20					57.9	53.0	110.2	32.7	47x32x12	3562	3813	B
	CR 64-2	25					57.9	56.2	110.2	32.7	47x32x12	3454	3705	B
	CR 64-3-2	30					57.9	62.8	110.2	32.7	47x32x12	3783	4035	B
	CR 64-3	40					57.9	62.8	110.2	32.7	47x32x12	4137	4412	B

Design A: Hydro MPC booster set with a control panel mounted on the same base plate as the pumps.

Design B: Hydro MPC booster set with a control panel and pumps mounted on separate base plates.

Design C: Hydro MPC booster set with a floor mounted control panel.

Note: All control panel dimensions based on 460/3/60 power. Dimensions may vary ± 1 in. and vary due to options requested and component changes. Please contact Grundfos for a Certified drawing for construction purposes.