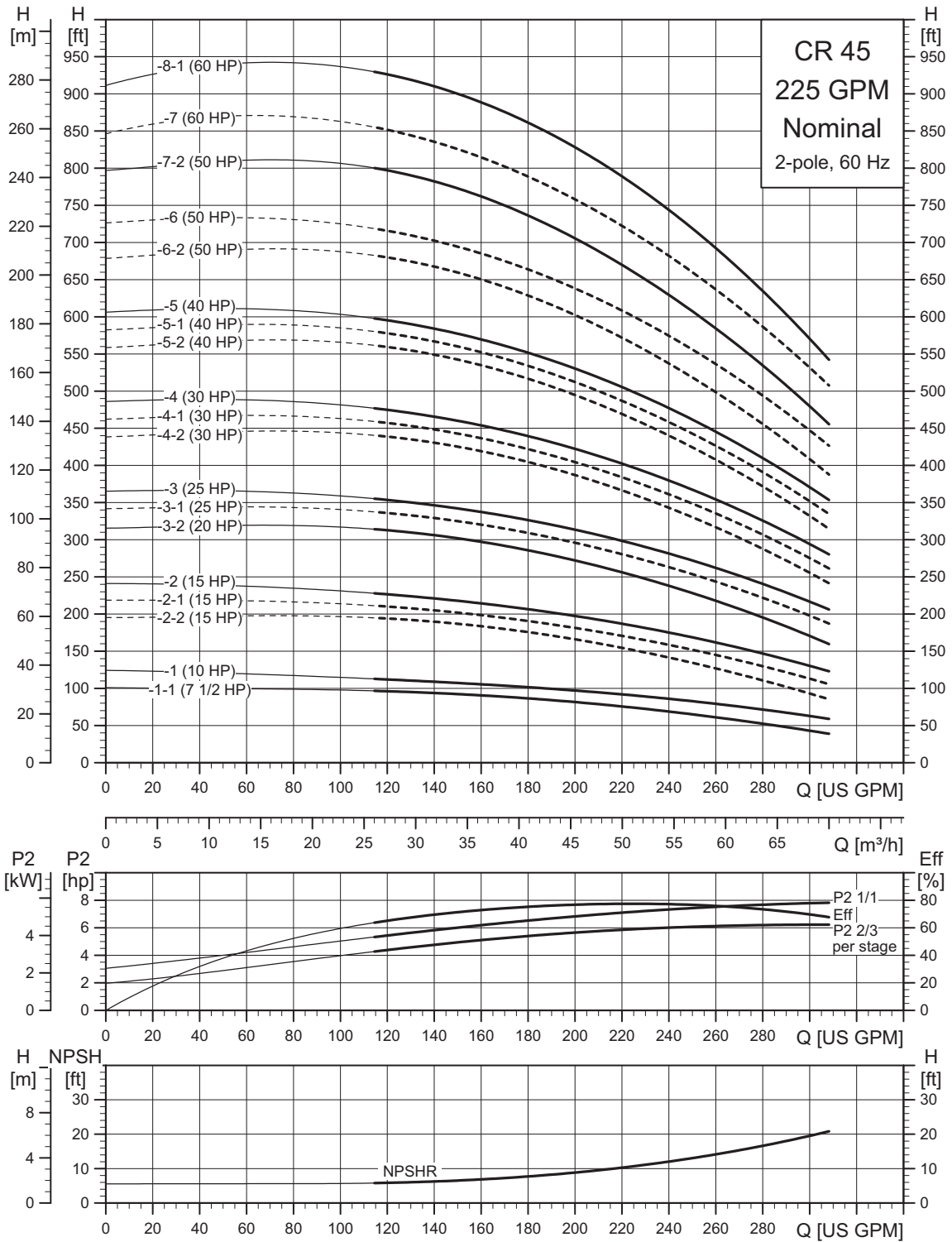


# Performance curves

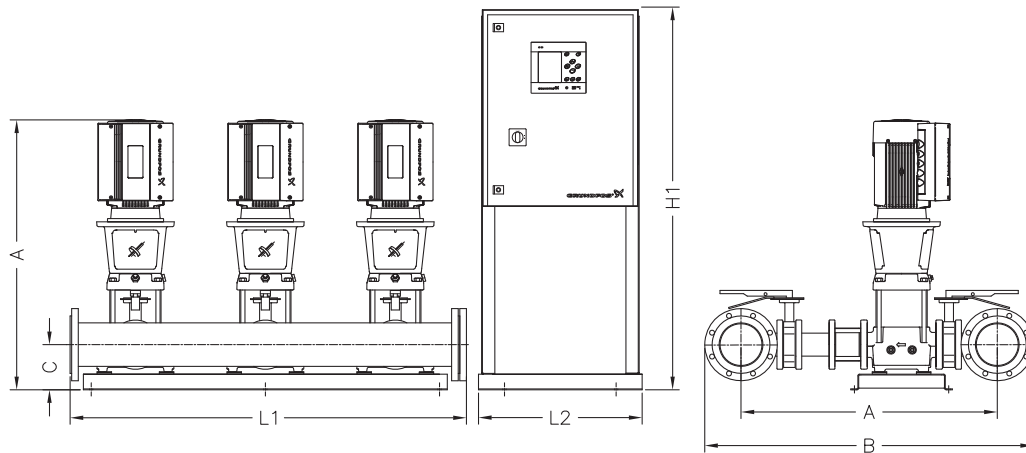
## CR 45



TM05 1572 3211

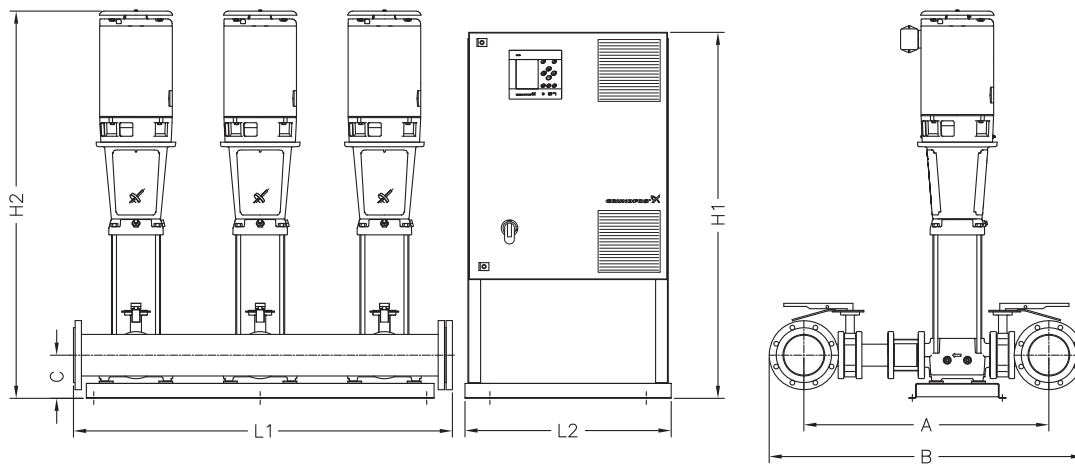
Pump curves shown with solid bold line represent standard BoosterpaQ pump offerings. Pump curves shown with dashed line represent non-standard BoosterpaQ pump offerings, which are available upon request.

### Hydro MPC BoosterpaQ with CR(E) 45 pumps



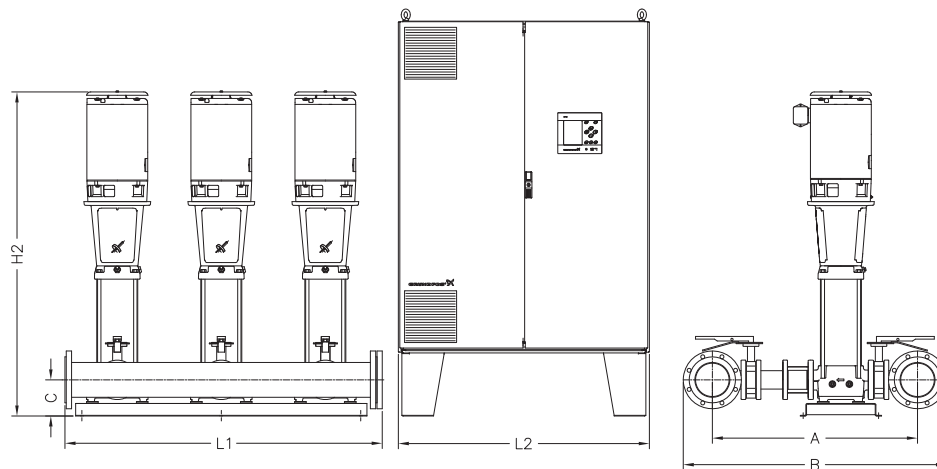
TM05 5885 4112

Fig. 53 Drawing of a Hydro MPC booster set with integrated VFD/motors and control panel and pumps on separate base plates. (Design A)



TM05 5887 4112

Fig. 54 Drawing of a Hydro MPC booster set with control panel and pumps on separate base plates. (Design B)



TM05 5886 4112

Fig. 55 Drawing of a Hydro MPC booster set with a floor-mounted control panel. (Design C)

Hydro MPC-E BoosterpaQ with CRE 45 pumps

No. of pumps	Pump type	Motor [hp]	Connect. size [in.]	A [in]	B [in]	C [in]	H1 [in]	H2 [in]	L1 [in]	L2 [in]	Panel dim. HxWxD [in]	Wt. w/out panel [lb]	Wt. w/panel [lb]	Design
2	CRE 45-1-1	7.5	6" ANSI	40.6	51.6	8.3	57.9	40.3	40.4	24.8	30x24x9	715	811	B
	CRE 45-1	10					57.9	39.7	40.4	24.8	30x24x9	729	825	B
	CRE 45-2	15					57.9	51.0	40.4	24.8	30x24x9	1102	1198	B
	CRE 45-3-2	20					57.9	54.2	40.4	24.8	30x24x9	1127	1225	B
	CRE 45-3	25					57.9	58.1	40.4	32.7	40x32x12	1181	1335	B
	CRE 45-4	30					57.9	61.3	40.4	32.7	40x32x12	1261	1415	B
3	CRE 45-1-1	7.5	6" ANSI	40.6	51.6	8.3	57.9	40.3	60.1	24.8	30x24x9	1058	1166	B
	CRE 45-1	10					57.9	39.7	60.1	24.8	30x24x9	1079	1187	B
	CRE 45-2	15					57.9	51.0	60.1	32.7	40x32x12	1638	1801	B
	CRE 45-3-2	20					57.9	54.2	60.1	32.7	40x32x12	1676	1842	B
	CRE 45-3	25					57.9	58.1	60.1	32.7	40x32x12	1757	1924	B
	CRE 45-4	30					57.9	61.3	60.1	32.7	40x32x12	1877	2044	B
4	CRE 45-1-1	7.5	8" ANSI	42.2	55.7	9.8	57.9	41.9	79.9	24.8	30x24x9	1481	1602	B
	CRE 45-1	10					57.9	41.3	79.9	24.8	30x24x9	1509	1630	B
	CRE 45-2	15					57.9	52.6	79.9	32.7	40x32x12	2254	2430	B
	CRE 45-3-2	20					57.9	55.8	79.9	32.7	40x32x12	2305	2485	B
	CRE 45-3	25					57.9	59.7	79.9	32.7	40x32x12	2414	2594	B
	CRE 45-4	30					57.9	62.9	79.9	32.7	40x32x12	2573	2754	B
5	CRE 45-1-1	7.5	8" ANSI	42.2	55.7	9.8	57.9	41.9	99.6	32.7	40x32x12	1775	1963	B
	CRE 45-1	10					57.9	41.3	99.6	32.7	40x32x12	1931	2119	B
	CRE 45-2	15					57.9	52.6	99.6	TBD	Contact Factory	2741	TBD	B
	CRE 45-3-2	20					57.9	55.8	119.2	TBD	Contact Factory	2854	TBD	B
	CRE 45-3	25					57.9	59.7	138.9	TBD	Contact Factory	3099	TBD	B
	CRE 45-4	30					57.9	62.9	138.9	TBD	Contact Factory	3298	TBD	B
6	CRE 45-1-1	7.5	10" ANSI	46.0	59.5	12.2	57.9	44.2	119.3	32.7	40x32x12	2137	2337	B
	CRE 45-1	10					57.9	43.6	119.3	32.7	40x32x12	2179	2379	B
	CRE 45-2	15					57.9	55.0	119.3	TBD	Contact Factory	3296	TBD	B
	CRE 45-3-2	20					57.9	58.1	158.7	TBD	Contact Factory	3589	TBD	B
	CRE 45-3	25					57.9	62.1	158.7	TBD	Contact Factory	3753	TBD	B
	CRE 45-4	30					57.9	65.2	158.7	TBD	Contact Factory	3992	TBD	B

Design A: Hydro MPC booster set with a control panel mounted on the same base plate as the pumps.

Design B: Hydro MPC booster set with a control panel and pumps mounted on separate base plates.

Design C: Hydro MPC booster set with a floor mounted control panel.

Note: All control panel dimensions based on 460/3/60 power. Dimensions may vary ± 1 in. and vary due to options requested and component changes. Please contact Grundfos for a Certified drawing for construction purposes.

Hydro MPC-E(CUE) BoosterpaQ with CR 45 pumps

No. of pumps	Pump type	Motor [hp]	Connect. size [in.]	A [in]	B [in]	C [in]	H1 [in]	H2 [in]	L1 [in]	L2 [in]	Panel dim. HxWxD [in]	Wt. w/out panel [lb]	Wt. w/panel [lb]	Design
2	CR 45-1	10	6" ANSI	40.6	51.6	8.3	60.0	40.3	40.4	36.0	48x36x16	713	969	C
	CR 45-2	15					60.0	48.8	40.4	36.0	48x36x16	816	1126	C
	CR 45-3-2	20					60.0	52.0	40.4	36.0	48x36x16	961	1274	C
	CR 45-3	25					60.0	55.2	40.4	36.0	48x36x16	921	1234	C
	CR 45-4	30					75.0	61.7	40.4	48.0	63x48x20	1043	1557	C
3	CR 45-1	10	6" ANSI	40.6	51.6	8.3	75.0	40.3	60.1	48.0	63x48x20	1055	1498	C
	CR 45-2	15					75.0	48.8	60.1	48.0	63x48x20	1209	1734	C
	CR 45-3-2	20					75.0	52.0	60.1	48.0	63x48x20	1427	1955	C
	CR 45-3	25					75.0	55.2	60.1	48.0	63x48x20	1367	1896	C
	CR 45-4	30					75.0	61.7	60.1	48.0	63x48x20	1550	2137	C
4	CR 45-1	10	8" ANSI	42.2	55.7	9.8	75.0	41.9	79.9	48.0	63x48x20	1477	1946	C
	CR 45-2	15					75.0	50.4	79.9	48.0	63x48x20	1682	2261	C
	CR 45-3-2	20					75.0	53.6	79.9	48.0	63x48x20	1973	2556	C
	CR 45-3	25					75.0	56.8	79.9	48.0	63x48x20	1894	2477	C
	CR 45-4	30					83.0	63.3	79.9	63.0	71x63x20	2137	2917	C
5	CR 45-1	10	8" ANSI	42.2	55.7	9.8	83.0	41.9	99.6	71.0	71x71x20	1770	2473	C
	CR 45-2	15					83.0	50.4	99.6	71.0	71x71x20	2026	2868	C
	CR 45-3-2	20					83.0	53.6	99.6	71.0	71x71x20	2389	3236	C
	CR 45-3	25					83.0	56.8	99.6	71.0	71x71x20	2290	3137	C
	CR 45-4	30					83.0	63.3	99.6	71.0	71x71x20	2595	3538	C
6	CR 45-1	10	10" ANSI	46.0	59.5	12.2	91.0	44.2	119.3	93.0	79x93x24	2131	2971	C
	CR 45-2	15					83.0	52.8	119.3	71.0	71x71x20	2438	3333	C
	CR 45-3-2	20					83.0	55.9	119.3	71.0	71x71x20	2874	3775	C
	CR 45-3	25					83.0	59.2	119.3	71.0	71x71x20	2755	3656	C
	CR 45-4	30					91.0	65.7	119.3	93.0	79x93x24	3121	4249	C

Design A: Hydro MPC booster set with a control panel mounted on the same base plate as the pumps.

Design B: Hydro MPC booster set with a control panel and pumps mounted on separate base plates.

Design C: Hydro MPC booster set with a floor mounted control panel.

Note: All control panel dimensions based on 460/3/60 power. Dimensions may vary ± 1 in. and vary due to options requested and component changes. Please contact Grundfos for a Certified drawing for construction purposes.

Hydro MPC-F BoosterpaQ with CR 45 pumps

No. of pumps	Pump type	Motor [hp]	Connect. size [in.]	A [in]	B [in]	C [in]	H1 [in]	H2 [in]	L1 [in]	L2 [in]	Panel dim. HxWxD [in]	Wt. w/out panel [lb]	Wt. w/panel [lb]	Design
2	CR 45-1	10	6" ANSI	40.6	51.6	8.3	60.0	40.3	40.4	36.0	48x36x16	713	960	C
	CR 45-2	15					60.0	48.8	40.4	36.0	48x36x16	816	1090	C
	CR 45-3-2	20					60.0	52.0	40.4	36.0	48x36x16	961	1242	C
	CR 45-3	25					60.0	55.2	40.4	36.0	48x36x16	921	1203	C
	CR 45-4	30					60.0	61.7	40.4	36.0	48x36x16	1043	1344	C
3	CR 45-1	10	6" ANSI	40.6	51.6	8.3	60.0	40.3	60.1	36.0	48x36x16	1055	1316	C
	CR 45-2	15					60.0	48.8	60.1	36.0	48x36x16	1209	1497	C
	CR 45-3-2	20					60.0	52.0	60.1	36.0	48x36x16	1427	1725	C
	CR 45-3	25					60.0	55.2	60.1	36.0	48x36x16	1367	1666	C
	CR 45-4	30					60.0	61.7	60.1	36.0	48x36x16	1550	1868	C
4	CR 45-1	10	8" ANSI	42.2	55.7	9.8	60.0	41.9	79.9	36.0	48x36x16	1477	1752	C
	CR 45-2	15					60.0	50.4	79.9	36.0	48x36x16	1682	1985	C
	CR 45-3-2	20					75.0	53.6	79.9	47.0	63x47x20	1973	2452	C
	CR 45-3	25					75.0	56.8	79.9	47.0	63x47x20	1894	2373	C
	CR 45-4	30					75.0	63.3	79.9	47.0	63x47x20	2137	2636	C
5	CR 45-1	10	8" ANSI	42.2	55.7	9.8	75.0	41.9	99.6	47.0	63x47x20	1770	2221	C
	CR 45-2	15					75.0	50.4	99.6	47.0	63x47x20	2026	2506	C
	CR 45-3-2	20					75.0	53.6	99.6	47.0	63x47x20	2389	2887	C
	CR 45-3	25					75.0	56.8	99.6	63.0	63x63x20	2290	2917	C
	CR 45-4	30					75.0	63.3	99.6	63.0	63x63x20	2595	3241	C
6	CR 45-1	10	10" ANSI	46.0	59.5	12.2	75.0	44.2	119.3	63.0	63x63x20	2131	2725	C
	CR 45-2	15					75.0	52.8	119.3	63.0	63x63x20	2438	3061	C
	CR 45-3-2	20					75.0	55.9	119.3	63.0	63x63x20	2874	3518	C
	CR 45-3	25					75.0	59.2	119.3	63.0	63x63x20	2755	3400	C
	CR 45-4	30					75.0	65.7	119.3	63.0	63x63x20	3121	3784	C

Design A: Hydro MPC booster set with a control panel mounted on the same base plate as the pumps.

Design B: Hydro MPC booster set with a control panel and pumps mounted on separate base plates.

Design C: Hydro MPC booster set with a floor mounted control panel.

Note: All control panel dimensions based on 460/3/60 power. Dimensions may vary ± 1 in. and vary due to options requested and component changes. Please contact Grundfos for a Certified drawing for construction purposes.

Hydro MPC-S BoosterpaQ with CR 45 pumps

No. of pumps	Pump type	Motor [hp]	Connect. size [in.]	A [in]	B [in]	C [in]	H1 [in]	H2 [in]	L1 [in]	L2 [in]	Panel dim. HxWxD [in]	Wt. w/out panel [lb]	Wt. w/panel [lb]	Design
2	CR 45-1	10	6" ANSI	40.6	51.6	8.3	57.9	40.3	40.4	24.8	24x24x8	713	791	B
	CR 45-2	15					57.9	48.8	40.4	24.8	24x24x8	816	893	B
	CR 45-3-2	20					57.9	52.0	40.4	24.8	24x24x8	961	1043	B
	CR 45-3	25					57.9	55.2	40.4	24.8	24x24x8	921	1003	B
	CR 45-4	30					57.9	61.7	40.4	24.8	24x24x8	1043	1125	B
3	CR 45-1	10	6" ANSI	40.6	51.6	8.3	57.9	40.3	60.1	24.8	24x24x8	1055	1145	B
	CR 45-2	15					57.9	48.8	60.1	24.8	40x32x12	1209	1375	B
	CR 45-3-2	20					57.9	52.0	60.1	24.8	40x32x12	1427	1600	B
	CR 45-3	25					57.9	55.2	60.1	24.8	40x32x12	1367	1541	B
	CR 45-4	30					57.9	61.7	60.1	24.8	40x32x12	1550	1723	B
4	CR 45-1	10	8" ANSI	42.2	55.7	9.8	57.9	41.9	79.9	24.8	40x32x12	1477	1657	B
	CR 45-2	15					57.9	50.4	79.9	24.8	40x32x12	1682	1862	B
	CR 45-3-2	20					57.9	53.6	79.9	24.8	40x32x12	1973	2162	B
	CR 45-3	25					57.9	56.8	79.9	24.8	40x32x12	1894	2083	B
	CR 45-4	30					57.9	63.3	79.9	32.7	40x32x12	2137	2327	B
5	CR 45-1	10	8" ANSI	42.2	55.7	9.8	57.9	41.9	99.6	32.7	47x32x12	1770	1991	B
	CR 45-2	15					57.9	50.4	99.6	32.7	47x32x12	2026	2248	B
	CR 45-3-2	20					57.9	53.6	99.6	32.7	47x32x12	2389	2623	B
	CR 45-3	25					57.9	56.8	99.6	32.7	47x32x12	2290	2524	B
	CR 45-4	30					57.9	63.3	99.6	32.7	47x32x12	2595	2828	B
6	CR 45-1	10	10" ANSI	46.0	59.5	12.2	57.9	44.2	119.3	32.7	47x32x12	2131	2365	B
	CR 45-2	15					57.9	52.8	119.3	32.7	47x32x12	2438	2674	B
	CR 45-3-2	20					57.9	55.9	119.3	32.7	47x32x12	2874	3123	B
	CR 45-3	25					57.9	59.2	119.3	32.7	47x32x12	2755	3004	B
	CR 45-4	30					57.9	65.7	119.3	32.7	47x32x12	3121	3370	B

Design A: Hydro MPC booster set with a control panel mounted on the same base plate as the pumps.

Design B: Hydro MPC booster set with a control panel and pumps mounted on separate base plates.

Design C: Hydro MPC booster set with a floor mounted control panel.

Note: All control panel dimensions based on 460/3/60 power. Dimensions may vary ± 1 in. and vary due to options requested and component changes. Please contact Grundfos for a Certified drawing for construction purposes.