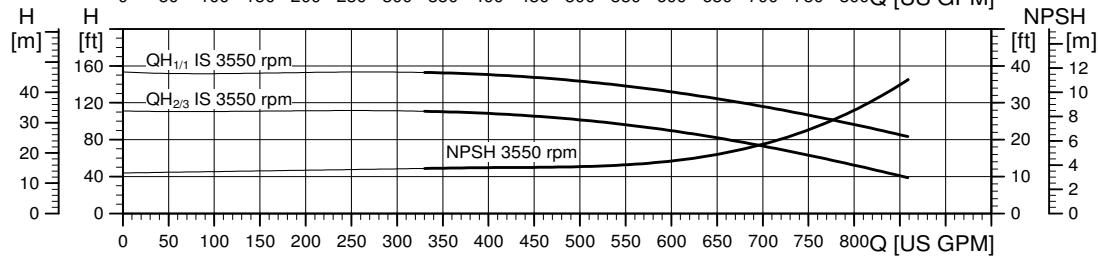
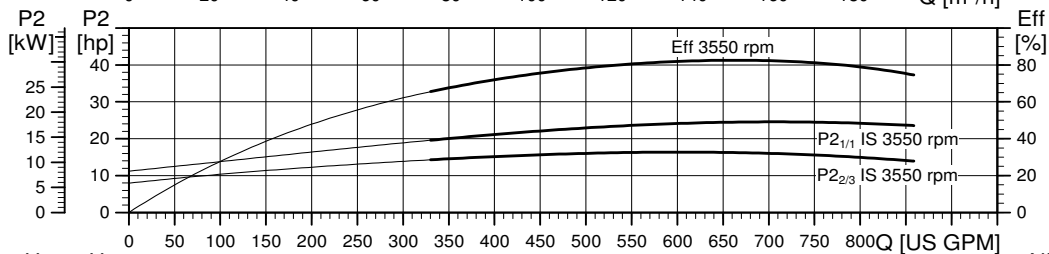
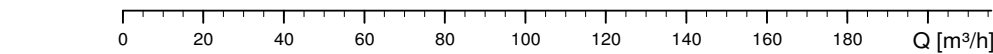
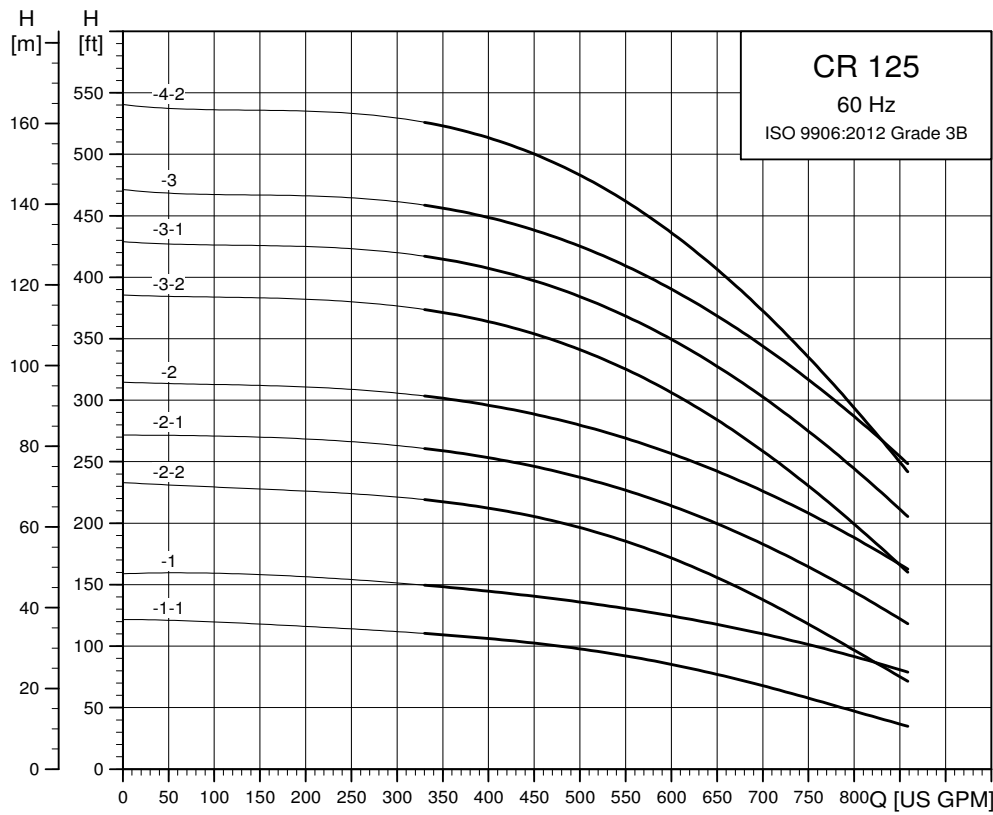
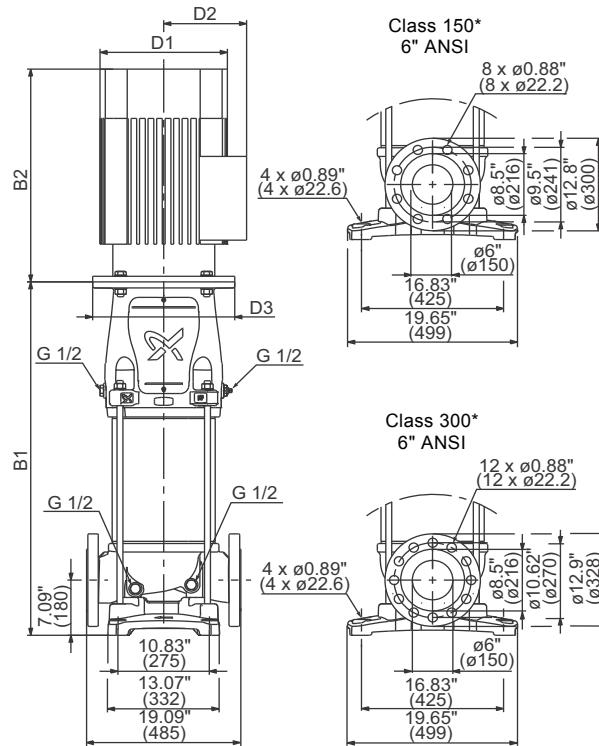


CR 125



The maximum pump efficiency (Eta) is based on a three-stage pump.

TM06 5539 3718



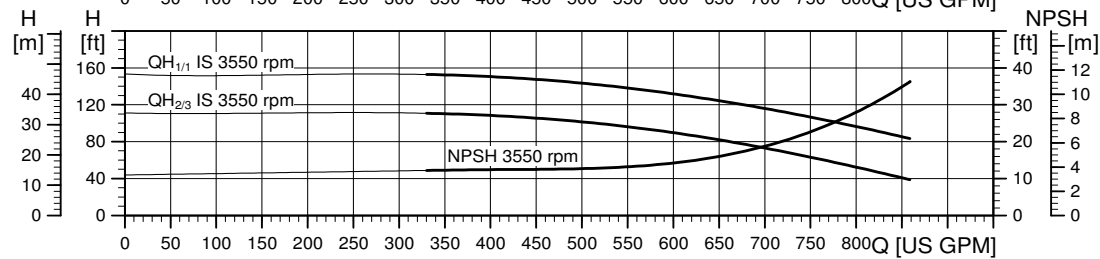
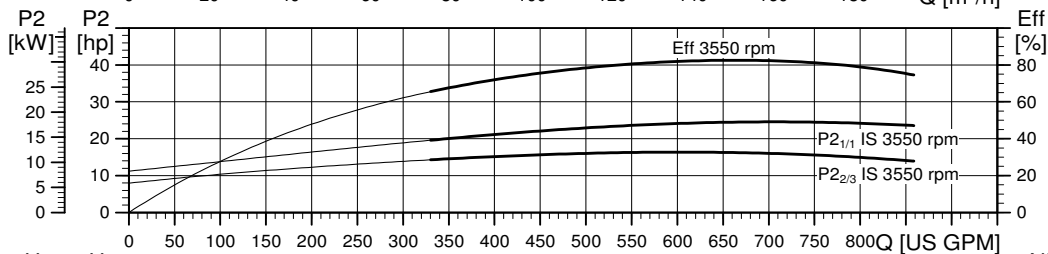
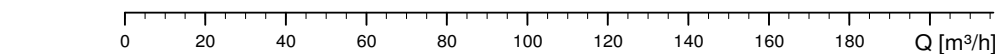
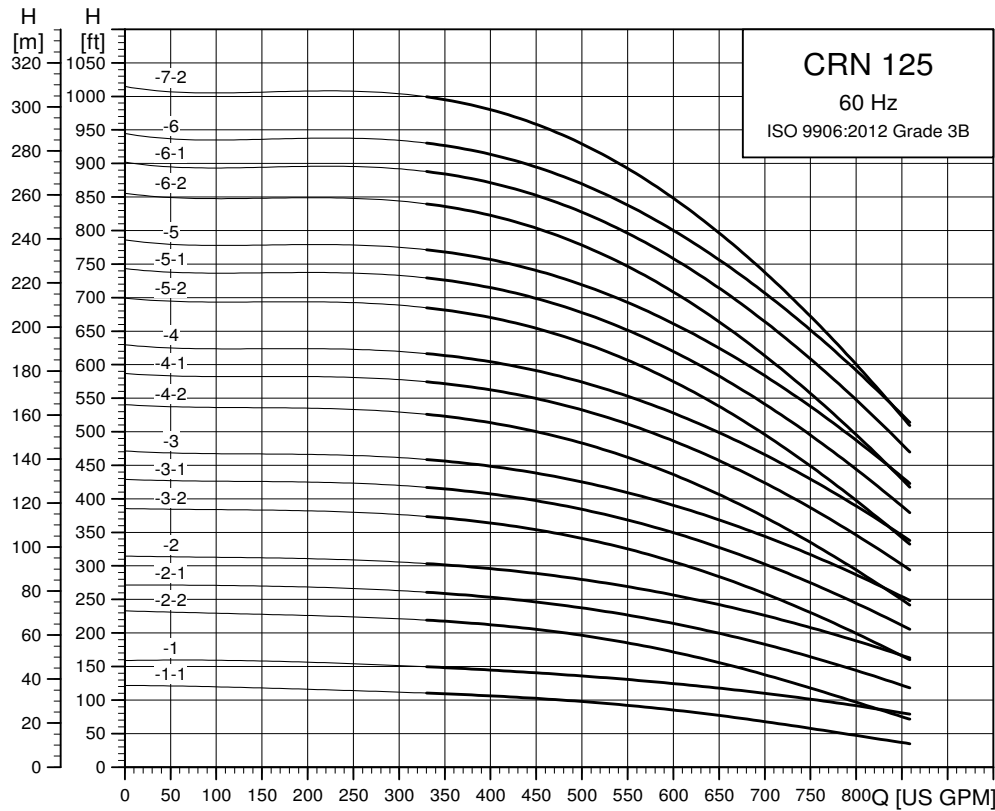
TM06 6061 0218

* CR, CRN 125 pumps with 1 to 3 stages are fitted with 150 lb. (68 kg) flanges as standard. 300 lb. (136 kg) flanges are available on request.
CR, CRN 125 pumps with 4 or more stages are fitted with 300 lb. (136 kg) flanges as standard.

Dimensions and weights

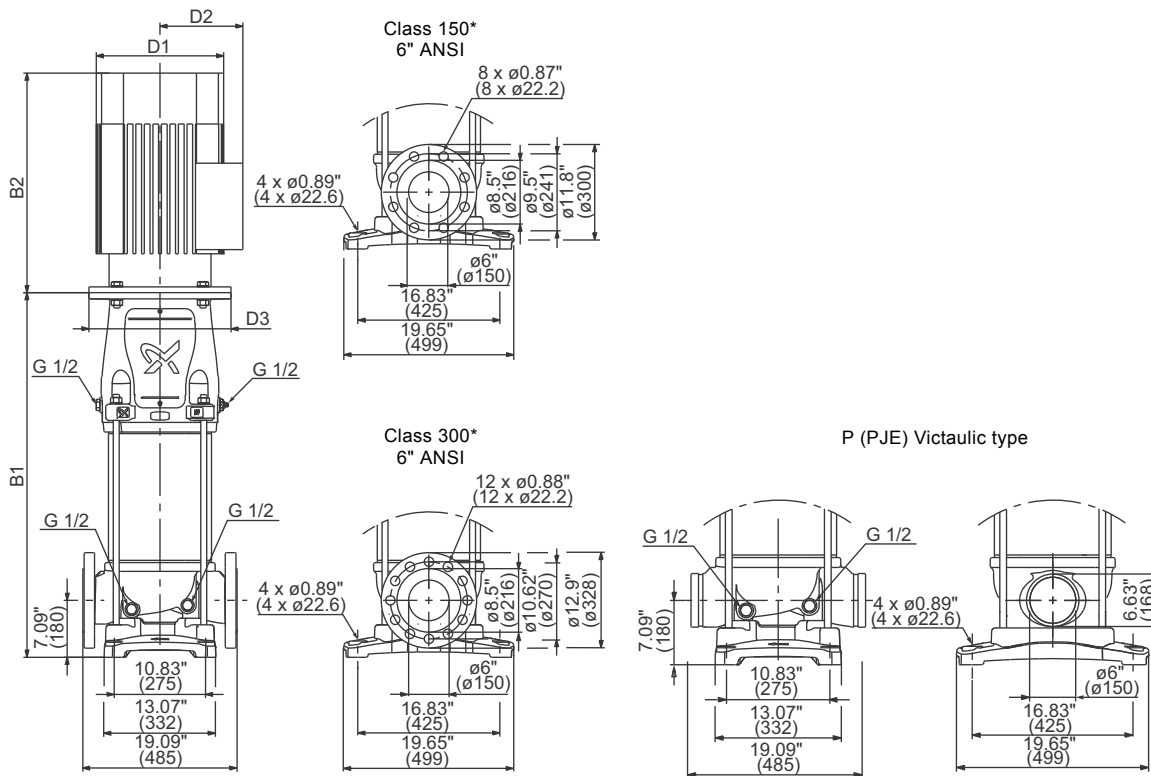
Pump type	Motor P ₂ [Hp (kw)]	Dimension [inch (mm)]					Net weight [lbs (kg)]
		B1	B1+B2	D1	D2	D3	
CR 125-1-1	20 (15)	30.8 (783)	49.6 (1261)	12.4 (314)	8 (204)	8.5 (216)	478 (217)
CR 125-1	25 (18)	30.9 (785)	53.7 (1363)	12.4 (314)	8 (204)	10.5 (267)	518 (235)
CR 125-2-2	30 (22)	35.7 (907)	58.5 (1485)	12.4 (314)	8 (204)	10.5 (267)	569 (258)
CR 125-2-1	40 (30)	36.6 (930)	64.2 (1630)	16.9 (429)	14.1 (359)	12.5 (318)	820 (372)
CR 125-2	50 (37)	36.6 (930)	64.2 (1630)	16.9 (429)	14.1 (359)	12.5 (318)	888 (403)
CR 125-3-2	60 (45)	41.4 (1052)	68.5 (1739)	16.9 (429)	14.1 (359)	12.5 (318)	961 (436)
CR 125-3-1	75 (56)	41.4 (1052)	69 (1752)	19.7 (500)	18.1 (460)	12.5 (318)	1281 (581)
CR 125-3	75 (56)	41.4 (1052)	69 (1752)	19.7 (500)	18.1 (460)	12.5 (318)	1281 (581)
CR 125-4-2	75 (56)	46.2 (1174)	73.8 (1874)	19.7 (500)	18.1 (460)	12.5 (318)	1303 (591)

CRN 125



The maximum pump efficiency (Eta) is based on a three-stage pump.

TM06 5540 3718



TM06 6062 0218

* CR, CRN 125 pumps with 1 to 3 stages are fitted with 150 lb. (68 kg) flanges as standard. 300 lb. (136 kg) flanges are available on request. CR, CRN 125 pumps with 4 or more stages are fitted with 300 lb. (136 kg) flanges as standard.

Dimensions and weights

Pump type	Motor P ₂ [Hp (kW)]	Dimension [inch (mm)]					Net weight [lbs (kg)]
		B1	B1+B2	D1	D2	D3	
CRN 125-1-1	20 (15)	30.8 (783)	49.6 (1261)	12.4 (314)	8 (204)	8.5 (216)	478 (217)
CRN 125-1	25 (18)	30.9 (785)	53.7 (1363)	12.4 (314)	8 (204)	10.5 (267)	518 (235)
CRN 125-2-2	30 (22)	35.7 (907)	58.5 (1485)	12.4 (314)	8 (204)	10.5 (267)	569 (258)
CRN 125-2-1	40 (30)	36.6 (930)	64.2 (1630)	16.9 (429)	14.1 (359)	12.5 (318)	820 (372)
CRN 125-2	50 (37)	36.6 (930)	64.2 (1630)	16.9 (429)	14.1 (359)	12.5 (318)	888 (403)
CRN 125-3-2	60 (45)	41.4 (1052)	68.5 (1739)	16.9 (429)	14.1 (359)	12.5 (318)	961 (436)
CRN 125-3-1	75 (56)	41.4 (1052)	69 (1752)	19.7 (500)	18.1 (460)	12.5 (318)	1281 (581)
CRN 125-3	75 (56)	41.4 (1052)	69 (1752)	19.7 (500)	18.1 (460)	12.5 (318)	1281 (581)
CRN 125-4-2	75 (56)	46.2 (1174)	73.8 (1874)	19.7 (500)	18.1 (460)	12.5 (318)	1303 (591)
CRN 125-4-1	100 (75)	46.1 (1172)	82.2 (2087)	22.2 (565)	19.2 (488)	18 (457)	1781 (808)
CRN 125-4	100 (75)	46.1 (1172)	82.2 (2087)	22.2 (565)	19.2 (488)	18 (457)	1781 (808)
CRN 125-5-2	100 (75)	50.9 (1294)	87 (2209)	22.2 (565)	19.2 (488)	18 (457)	1803 (818)
CRN 125-5-1	125 (93)	50.9 (1294)	90.6 (2300)	26.5 (673)	22.7 (576)	18 (457)	2255 (1023)
CRN 125-5	125 (93)	50.9 (1294)	90.6 (2300)	26.5 (673)	22.7 (576)	18 (457)	2255 (1023)
CRN 125-6-2	125 (93)	55.7 (1416)	95.4 (2422)	26.5 (673)	22.7 (576)	18 (457)	2280 (1034)
CRN 125-6-1	150 (112)	55.7 (1416)	95.4 (2422)	26.5 (673)	22.7 (576)	18 (457)	2511 (1139)
CRN 125-6	150 (112)	55.7 (1416)	95.4 (2422)	26.5 (673)	22.7 (576)	18 (457)	2511 (1139)
CRN 125-7-2	150 (112)	60.6 (1538)	100.2 (2544)	26.5 (673)	22.7 (576)	18 (457)	2533 (1149)