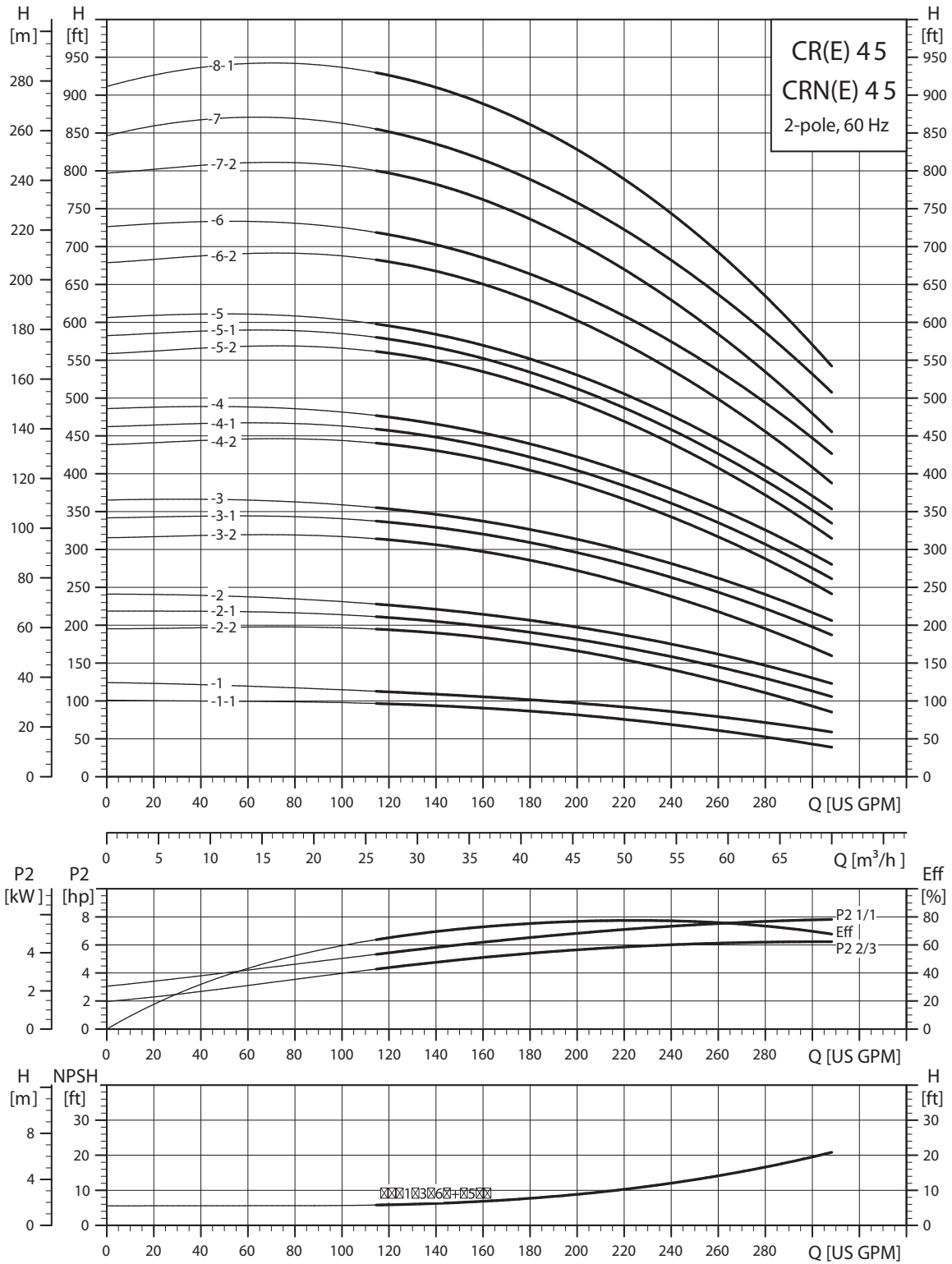
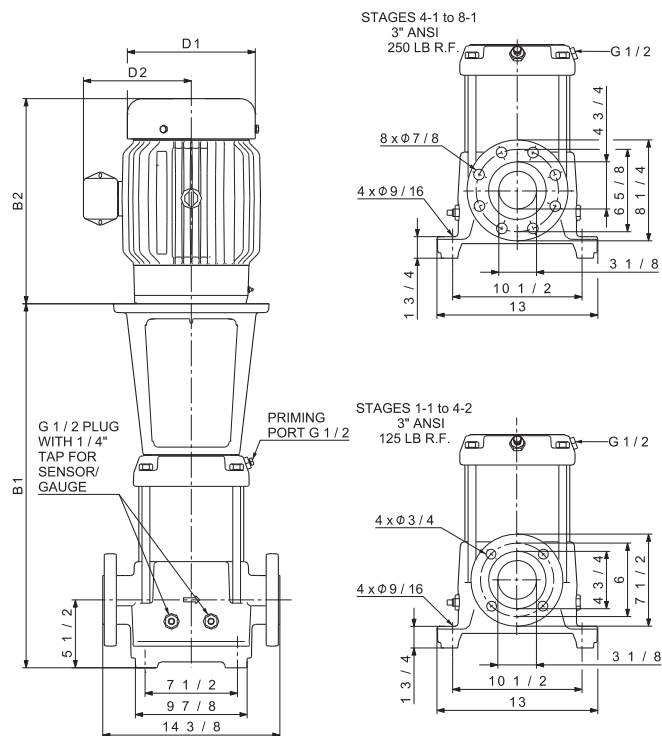


CR(E), CRN(E) 45



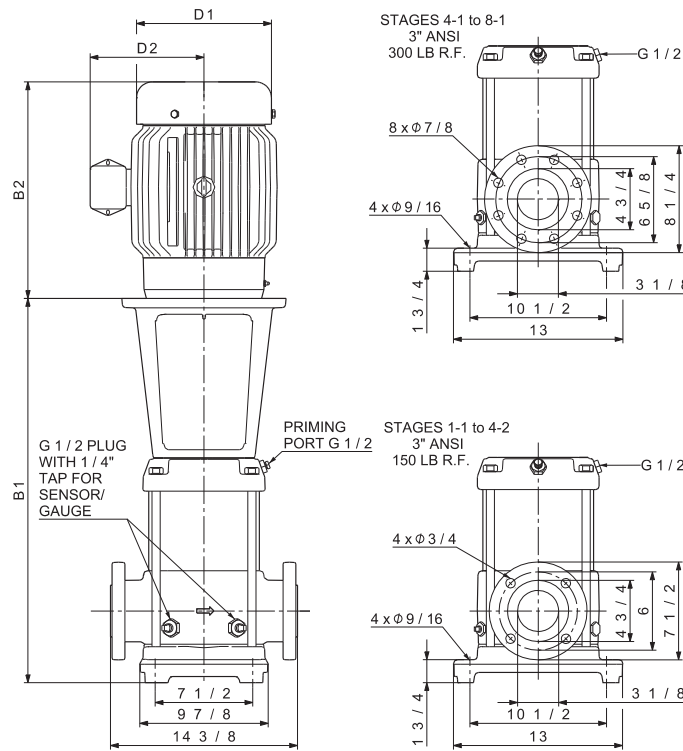
TM02 0040 1303



TM02 7700 1009

| Pump type | P2 [hp] | Ph. | ANSI dimensions [inch] | | | | | | Ship Wt. [lbs.] | ANSI dimensions [inch] | | | Ship Wt. [lbs.] | |
|--------------|---------|-----|------------------------|-------|-------|-------|-------|-------|-----------------|------------------------|-------|-------|-----------------|-------|
| | | | B1 | TEFC | | | ODP | | | MLE | | | | |
| | | | | D1 | D2 | B1+B2 | D1 | D2 | | B1+B2 | D1 | D2 | | B1+B2 |
| CR(E) 45-1-1 | 7 1/2 | 1 | 22.20 | 10.22 | 7.62 | 37.73 | - | - | - | 259 | - | - | - | - |
| | | 3 | 22.01 | 8.66 | 5.28 | 37.52 | - | - | - | 243 | 8.66 | 7.40 | 37.52 | 256 |
| CR(E) 45-1 | 10 | 1 | 22.20 | 10.23 | 10.30 | 38.27 | - | - | - | 314 | - | - | - | - |
| | | 3 | 22.01 | 8.66 | 5.28 | 37.52 | - | - | - | 243 | 10.24 | 8.39 | 36.93 | 265 |
| CR(E) 45-2-2 | 15 | 3 | 29.49 | 10.22 | 8.67 | 46.07 | 10.62 | 7.33 | 45.80 | 376 | 13.39 | 12.13 | 48.27 | 549 |
| CR 45-2-1 | | 3 | 29.49 | 10.22 | 8.67 | 46.07 | 10.62 | 7.33 | 45.80 | 376 | - | - | - | - |
| CR(E) 45-2 | 15 | 3 | 29.49 | 10.22 | 8.67 | 46.07 | 10.62 | 7.33 | 45.80 | 376 | 13.39 | 12.13 | 48.27 | 549 |
| CR(E) 45-3-2 | | 3 | 32.64 | 10.22 | 8.67 | 49.22 | 11.50 | 8.92 | 52.33 | 390 | 13.39 | 12.13 | 51.42 | 562 |
| CR 45-3-1 | 25 | 3 | 32.64 | 12.94 | 11.52 | 52.46 | 11.50 | 8.94 | 53.45 | 436 | - | - | - | - |
| CR(E) 45-3 | | 3 | 32.64 | 12.94 | 11.52 | 52.46 | 11.50 | 8.94 | 53.45 | 436 | 13.39 | 12.13 | 55.36 | 589 |
| CR(E) 45-4-2 | 30 | 3 | 35.79 | 15.32 | 13.11 | 58.98 | 11.50 | 8.94 | 57.60 | 605 | 13.39 | 12.13 | 58.51 | 660 |
| CR 45-4-1 | | 3 | 35.79 | 15.32 | 13.11 | 58.98 | 11.50 | 8.94 | 57.60 | 611 | - | - | - | - |
| CR(E) 45-4 | 30 | 3 | 35.79 | 15.32 | 13.11 | 58.98 | 11.50 | 8.94 | 57.60 | 611 | 13.39 | 12.13 | 58.51 | 666 |
| CR 45-5-2 | | 3 | 38.94 | 15.32 | 13.11 | 62.13 | 13.25 | 12.21 | 62.19 | 634 | - | - | - | - |
| CR 45-5-1 | 40 | 3 | 38.94 | 15.32 | 13.11 | 62.13 | 13.25 | 12.21 | 62.19 | 634 | - | - | - | - |
| CR 45-5 | | 3 | 38.94 | 15.32 | 13.11 | 62.13 | 13.25 | 12.21 | 62.19 | 634 | - | - | - | - |
| CR 45-6-2 | 50 | 3 | 42.09 | 16.88 | 14.12 | 69.90 | 13.25 | 12.21 | 64.84 | 679 | - | - | - | - |
| CR 45-6 | | 3 | 42.09 | 16.88 | 14.12 | 69.90 | 13.25 | 12.21 | 64.84 | 679 | - | - | - | - |
| CR 45-7-2 | 50 | 3 | 45.24 | 16.88 | 14.12 | 73.05 | 13.25 | 12.21 | 67.99 | 689 | - | - | - | - |
| CR 45-7 | | 3 | 45.24 | 19.00 | 14.90 | 76.03 | 15.12 | 13.19 | 71.37 | 869 | - | - | - | - |
| CR 45-8-1 | 60 | 3 | 48.39 | 19.00 | 14.90 | 79.18 | 15.12 | 13.19 | 74.52 | 878 | - | - | - | - |

1) Weights are based on pump with TEFC motor (see price list for individual weights)
All dimensions in inches unless otherwise noted.



TM02.7704.1009

| Pump type | P2 [hp] | Ph. | ANSI dimensions [inch] | | | | | | Ship Wt. [lbs.] | ANSI dimensions [inch] | | | Ship Wt. [lbs.] | |
|---------------|------------|-----|------------------------|-------|-------|-------|-------|-------|-----------------------|------------------------|--------|--------|-----------------------|-------|
| | | | B1 | TEFC | | | ODP | | | MLE | | | | |
| | | | | D1 | D2 | B1+B2 | D1 | D2 | | B1+B2 | D1 | D2 | | B1+B2 |
| CRN(E) 45-1-1 | 7 1/2 | 1 | 22.20 | 10.22 | 7.62 | 37.73 | - | - | - | 259 | - | - | - | - |
| | | 3 | 22.01 | 8.66 | 5.28 | 37.52 | - | - | - | 243 | 220.00 | 188.00 | 37.52 | 256 |
| CRN(E) 45-1 | 10 | 1 | 22.20 | 10.23 | 10.30 | 38.27 | - | - | - | 314 | - | - | - | - |
| | | 3 | 22.01 | 8.66 | 5.28 | 37.52 | - | - | - | 243 | 260.00 | 213.00 | 36.93 | 265 |
| CRN(E) 45-2-2 | 15 | 3 | 29.49 | 10.22 | 8.67 | 46.07 | 10.62 | 7.33 | 45.80 | 376 | 13.39 | 12.13 | 48.27 | 550 |
| CRN 45-2-1 | 15 | 3 | 29.49 | 10.22 | 8.67 | 46.07 | 10.62 | 7.33 | 45.80 | 376 | - | - | - | - |
| CRN(E) 45-2 | 15 | 3 | 29.49 | 10.22 | 8.67 | 46.07 | 10.62 | 7.33 | 45.80 | 376 | 13.39 | 12.13 | 48.27 | 550 |
| CRN(E) 45-3-2 | 20 | 3 | 32.64 | 10.22 | 8.67 | 49.22 | 11.50 | 8.92 | 52.33 | 390 | 13.39 | 12.13 | 51.42 | 562 |
| CRN 45-3-1 | 25 | 3 | 32.64 | 12.94 | 11.52 | 52.46 | 11.50 | 8.94 | 53.45 | 436 | - | - | - | - |
| CRN(E) 45-3 | 25 | 3 | 32.64 | 12.94 | 11.52 | 52.46 | 11.50 | 8.94 | 53.45 | 436 | 13.39 | 12.13 | 55.36 | 590 |
| CRN(E) 45-4-2 | 30 | 3 | 35.79 | 15.32 | 13.11 | 58.98 | 11.50 | 8.94 | 57.60 | 606 | 13.39 | 12.13 | 58.51 | 661 |
| CRN 45-4-1 | 30 | 3 | 35.79 | 15.32 | 13.11 | 58.98 | 11.50 | 8.94 | 57.60 | 609 | - | - | - | - |
| CRN(E) 45-4 | 30 | 3 | 35.79 | 15.32 | 13.11 | 58.98 | 11.50 | 8.94 | 57.60 | 609 | 13.39 | 12.13 | 58.51 | 664 |
| CRN 45-5-2 | 40 | 3 | 38.94 | 15.32 | 13.11 | 62.13 | 13.25 | 12.21 | 62.19 | 632 | - | - | - | - |
| CRN 45-5-1 | 40 | 3 | 38.94 | 15.32 | 13.11 | 62.13 | 13.25 | 12.21 | 62.19 | 632 | - | - | - | - |
| CRN 45-5 | 40 | 3 | 38.94 | 15.32 | 13.11 | 62.13 | 13.25 | 12.21 | 62.19 | 632 | - | - | - | - |
| CRN 45-6-2 | 50 | 3 | 42.09 | 16.88 | 14.12 | 69.90 | 13.25 | 12.21 | 64.84 | 677 | - | - | - | - |
| CRN 45-6 | 50 | 3 | 42.09 | 16.88 | 14.12 | 69.90 | 13.25 | 12.21 | 64.84 | 677 | - | - | - | - |
| CRN 45-7-2 | 50 | 3 | 45.24 | 16.88 | 14.12 | 73.05 | 13.25 | 12.21 | 67.99 | 687 | - | - | - | - |
| CRN 45-7 | 60 | 3 | 45.24 | 19.00 | 14.90 | 76.03 | 15.12 | 13.19 | 71.37 | 867 | - | - | - | - |
| CRN 45-8-1 | 60 | 3 | 48.39 | 19.00 | 14.90 | 79.18 | 15.12 | 13.19 | 74.52 | 876 | - | - | - | - |

¹⁾ Weights are based on pump with TEFC motor (see price list for individual weights)
All dimensions in inches unless otherwise noted.