

PARTS LIST		HI PRESSURE DEWATERING PUMP			5/25/2018	
ITEM	PART No.	DESCRIPTION	QTY	SIZE	MATERIAL	NOTES
1	141-004-20	Hex.Nut	2	M6	SUS316	
2	010-000-00	Cable Clip	2	No.5	SUS316	N4-12143-1T(A573704)
3	140-035-27	Hex.Bolt	2	M6x20	SUS316	
4	009-117-11	Terminal	3	R-22-6	CU	
5	009-107-18	Terminal	1	R-14-6	CU	
6	009-116-10	Terminal	2	R-2-4	CU	
7	001-000-00	Cabtyre Cable 460-575V-60Hz (USA)	1	2PNCT.F 3CX22+1CX14+2CX2mm2	(Vm)	
8	011-000-07	Shackle	1	6mm(M8,SC)	SUS316	
9	095-000-00	Chain	1	4mm(6L)	SUS316	N3-13381-2T(A573704)
10	072-103-36	Eye Bolt	2	M24	SUS316	
	142-000-00	Washer	each6	38*25*0.3/0.5T	SUS316	(A573704)
11	140-056-66	Hex.Bolt	4	M8x30	SUS316	
12	141-005-21	Hex.Nut	4	M8	SUS316	
13	003-000-00	Gland	1	2PNCT.F 4CX22, d32	SUS316	S4-02110-1(A573704)
14	004-000-00	Cable Bush	1	d33xd58x24l, 220-BH	CR	N4-00482-1T(A573704)
15	005-123-18	Bush Washer	1	d35xd57x3.2t	SPC	
16	140-076-20	Hex.Bolt	4	M10x30	SUS316	
17	142-164-22	Spring Washer	4	M10	SUS316	
18	006-000-00	Stuffing Box	1	No.7	SCS14	S2-01754-1(A573704)
19	122-135-22	O-Ring	1	G-120(119.4xd3.1)	VITON	*
20	008-132-19	Mould Cover	1	KRS-819/822(L)	NBR	
21	003-149-14	Gland (Lower)	1	No.5	FC	
22	141-004-59	Hex.Nut	3	M6	SWRM	
23	009-168-17	Terminal	3	R-22-S6	CU	
24	009-131-11	Terminal	3	R-5.5-6	CU	
25	140-029-28	Hex.Bolt	3	M6x10	SWRM	
26	200-000-23	Heat Shrink Tape	m	540S(0.18T-25WX30M)		
27	002-000-18	Heat Shrink Tube (Sold per meter)	m	W3F2(3/4IN)	(Vm)	
28	009-107-18	Terminal	1	R-14-6	CU	
	143-041-12	Pan Screw	1	M6x8	SWRM	for grounding
	142-126-48	Plain Washer	1	M6	C3604	for grounding
29	140-033-12	Hex.Bolt	4	M6x16	SUS304	
30	009-115-19	Terminal	2	PC-4020F		Control cable
31	009-114-18	Terminal	2	PC-4020M		Control cable
	002-164-12	Heat Shrink Tube (Sold per meter)	m	A4(d20x0.35t)	(Vm)	Control cable
32	037-000-00	Center-Flange Discharge Pipe	1	LH422	SUS316	S3-03249-1T(A573704)
33	141-007-23	Hex.Nut	5	M12	SUS316	
34	142-165-23	Spring Washer	5	M12	SUS316	
35	121-374-19	Packing	1	d140xd172x1t	THREE SHEET	*
36	144-000-00	Stud Bolt	5	M12x64(24/27)	SUS316	N4-12482-1T(A573704)
37	140-097-27	Hex.Bolt	2	M12x30	SUS316	
38	142-165-23	Spring Washer	2	M12	SUS316	
39	142-129-38	Plain Washer	2	M12	SUS316	
40	127-000-00	Stay 2	1	LH422/430-51/61For (Left)	SUS316	N4-11206-3T(A573704)

* Indicates items included in set

PARTS LIST		HI PRESSURE DEWATERING PUMP			5/25/2018	
ITEM	PART No.	DESCRIPTION	QTY	SIZE	MATERIAL	NOTES
41	127-000-00	Stay 1	1	LH422/430-51/61For (Right)	SUS316	N4-11205-3T(A573704)
42	140-097-27	Hex.Bolt	2	M12x30	SUS316	
43	142-165-23	Spring Washer	2	M12	SUS316	
44	140-000-00	Hex.Bolt	6	M16x130	SUS316	
45	142-000-00	Spring Washer	6	d16.5xd31.5x5t	SUS316	N4-12231-1T(A573704)
46	121-000-00	Seal Washer	6	d15.5xd27x4t	VITON	*N4-10709-1T(A573704)
47	050-001-35	Motor Bracket	1	MJA6139Z-LH	SCS14	
48	144-000-00	Hex. Socket Cap Screw	4	M12x16	SUS316	
49	122-157-20	O-Ring	1	G-260(259.3xd5.7)	VITON	*
50	121-000-00	Packing	1	LH619/422/430(L)	VITON	*N4-11213-1T(A573704)
51	058-203-17	Lead Wire Protection Plate	1	d108xd269x3.2t	SPHC	
52	122-127-18	O-Ring	1	G-80(79.4xd3.1)	NBR	*
53	142-199-13	Wave Washer	1	6208/6307	SK5	
54	052-110-18	Bearing	1	6307ZZC3		
55	065-000-00	Outer Cover	1		SUS316	(A573704)
56	121-000-00	Packing	1	LH619/422/430(L)	VITON	*N4-11213-1T(A573704)
57	053-309-19	Motor Protector 400/440/460/480V-60Hz	1	KA316-NSTL00	(B.C)	
58	056-000-00	Stator 460V-60Hz	1Set			
	056-000-00	Stator 575V-60Hz	1Set			
59	064-001-51	Motor Frame	1	MJA6139Z-LH	SCS14	
60	122-259-23	O-Ring	1	12xd3	VITON	*
61	144-000-00	Stator Set Bolt	1	M12(B=21)	SUS316	
62	122-153-26	O-Ring	1	G-220(219.3xd5.7)	VITON	*
63	055-000-00	Rotor	1Set			
64	147-000-00	Impeller Key	1	7x7x37.5l	SUS316	
65	140-033-25	Hex.Bolt	3	M6x16	SWRM	
66	062-177-14	Bearing Fixing Plate	1		SS	
67	052-142-19	Bearing	1Set	6311ZZD2C3		
68	142-244-14	Bearing Washer	1	AW11	SPCC	
69	141-076-10	Bearing Nut	1	AN11	SS	
70	026-271-17	Oil Seal	1	SC-40588	NBR	
71	140-016-19	Hex.Bolt	2	M5x12	SUS304	
72	003-219-16	Gland	1		SPHC	
73	032-423-15	Bush	1	d9.5x18.5L	NBR	
74	121-395-16	Packing	2	d11.8xd18x3t	PE	*
75	035-000-00	Oil Plug	2	M12x14	SUS316	N4-00726-1T(A573704)
76	144-000-00	Hex. Socket Cap Screw	4	M12x16	SUS316	
77	060-002-00	Bearing Housing	1	MJA6139Z-LH	SCS14	
78	122-000-00	O-Ring	1	395xd5	VITON	*(A573704)
79	142-166-24	Spring Washer	4	M16	SUS316	
80	140-000-00	Hex.Socket Cap Bolt	4	M16x170	SUS316	
81	122-129-10	O-Ring	1	G-90(89.4xd3.1)	NBR	*
82	028-000-00	Seal Housing	1	LH619/422/622/430-51/61	FC	N3-11764-2T(A573704)
83	142-164-19	Spring Washer	4	M10	SUS304	

* Indicates items included in set

PARTS LIST		HI PRESSURE DEWATERING PUMP			5/25/2018	
ITEM	PART No.	DESCRIPTION	QTY	SIZE	MATERIAL	NOTES
84	140-076-17	Hex.Bolt	4	M10x30	SUS304	
85	032-423-15	Bush	1	d9.5x18.5L	NBR	
86	003-219-16	Gland	1		SPHC	
87	140-016-19	Hex.Bolt	2	M5x12	SUS304	
88	144-000-00	Stud Bolt	4	M16x100(38/24)(JIS)	SUS316	S4-02276-1(A573704)
89	025-271-14	Mechanical Seal	1	X-35WT	VITON	
90	143-070-23	Pan Screw	2	M5x6	SWRM	
91	030-156-18	Oil Lifter	1	H-35(A)(T)	Resin	
92	143-070-10	Pan Screw	3	M5x6	SWRM	
93	030-150-12	Seal Stopper	1	H-35(A)(T)	SPCC	
94	122-250-24	O-Ring	1	230xd3.8	VITON	*
95	029-000-00	Oil Casing	1	LH619/422/622/430-51/61	SCS14	S3-04613-1(A573704)
96	142-164-22	Spring Washer	4	M10	SUS316	
97	140-076-20	Hex.Bolt	4	M10x30	SUS316	
98	020-000-00	Upper Pump Casing	1	LH619/422/622/430-51/61	SCS14	S2-03500-1T(A573704)
	026-000-00	Labyrinth Ring	1	LH619/422/622/430-51/61	SUS316	N4-11143-3T(A573704)
99	140-001-00	Hex.Socket Cap Bolt	4	M10x40	SUS316	
100	122-000-00	O-Ring	1	395xd5	VITON	*(A573704)
101	040-000-00	Impeller Shim	each2	d31xd45.2x0.2/0.3t	SUS316	N3-12180-5T(A573704)
102	071-000-00	Shaft Sleeve	1	d30xd40xd37xH22	SUS316	N4-11147-3T(A573704)
103	021-000-00	Impeller (60Hz)	1	LH422-61	SCS14	N2-11554-1T(A573704)
104		No parts				
105	142-000-00	Nord lock washer	1	NL24spss	SUS316	(A573704)
106	141-000-00	Hex.Cap Nut	1	M24	SUS316	S4-02292-1(A573704)
107	020-000-00	Pump Casing (Lower)	1	LH422/430-51/61	SCS14	S2-04380-1(A573704)
108	142-166-24	Spring Washer	4	M16	SUS316	
109	141-008-24	Hex.Nut	4	M16	SUS316	
110	142-165-23	Spring Washer	4	M12	SUS316	
111	144-000-00	Stud Bolt	4	M12x164(22/22)	SUS316	N4-11155-2T(A573704)
112	120-175-15	Packing (S.Cover)		LH615/422/430-51/61	PE	
113	022-000-00	Suction Cover (w/Mouth Ring)	1	LH422	SCS14	
114	142-164-22	Spring Washer	4	M10	SUS316	
115	140-075-29	Hex.Bolt	4	M10x25	SUS316	
116	023-000-00	Strainer Stand	1	LH422/430-51/61	SUS316	S3-04615-2(A573704)
117	142-165-23	Spring Washer	4	M12	SUS316	
118	141-007-23	Hex.Nut	4	M12	SUS316	
119	141-007-23	Hex.Nut	4	M12	SUS316	
120	142-165-23	Spring Washer	4	M12	SUS316	
121	142-129-38	Plain Washer	4	M12	SUS316	
122	043-102-19	Cathodic Protection Plate	4	AB-1HS(75x70x20t)	Al	
123	140-096-26	Hex.Bolt	4	M12x25	SUS316	
		Packing O-Ring Set				
	173-000-00	Packing O-Ring Set	1Set	(Marked by *)		
19	122-135-22	O-Ring	1	G-120(119.4xd3.1)	VITON	*

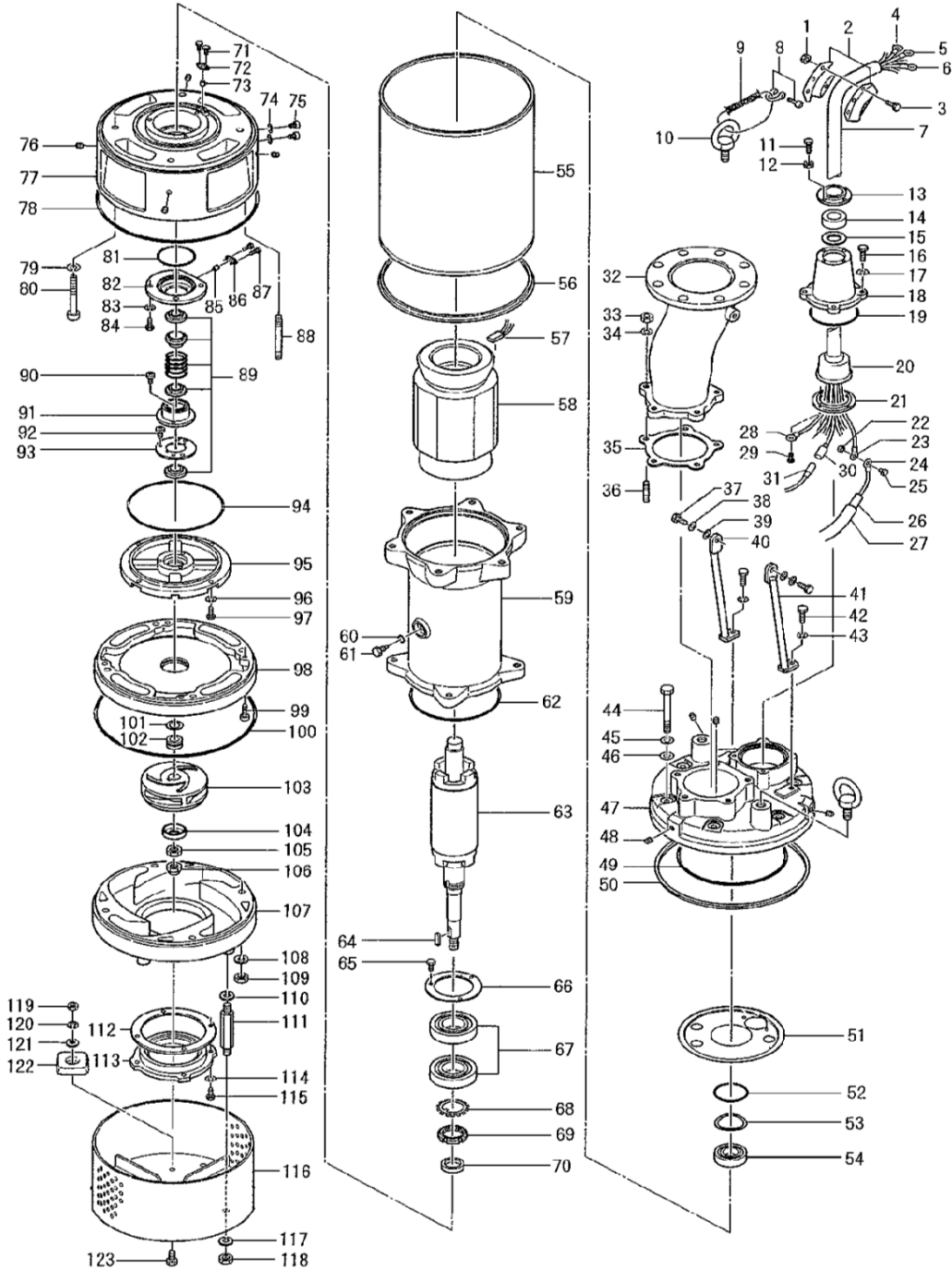
* Indicates items included in set

PARTS LIST		HI PRESSURE DEWATERING PUMP			5/25/2018	
ITEM	PART No.	DESCRIPTION	QTY	SIZE	MATERIAL	NOTES
35	121-374-19	Packing (Discharge Pipe)	1	d140xd172x1t	THREE SHEET	*
46	121-000-00	Seal Washer (Motor Bracket bolt)	6	d15.5xd27x4t	VITON	*N4-10709-1T(A573704)
49	122-157-20	O-Ring (M.Bracket/M.Frame)	1	G-260(259.3xd5.7)	VITON	*
50	121-000-00	Packing (M.Bracket/Out.Cover)	1	LH619/422/430(L)	VITON	*N4-11213-1T(A573704)
52	122-127-18	O-Ring (Upp. Bearing)	1	G-80(79.4xd3.1)	NBR	*
56	121-000-00	Packing (Out.Cover/Brg.Housing)	1	LH619/422/430(L)	VITON	*N4-11213-1T(A573704)
60	122-259-23	O-Ring (Stator Set Bolt)	1	12xd3	VITON	*
62	122-153-26	O-Ring (M.Frame/Brg.Housing)	1	G-220(219.3xd5.7)	VITON	*
74	121-395-16	Packing (Oil Plug)	2	d11.8xd18x3t	PE	*
78	122-000-00	O-Ring (M.Frame/Brg.Housing)	1	395xd5	VITON	*
81	122-129-10	O-Ring (Brg.Housing/Seal Housing)	1	G-90(89.4xd3.1)	NBR	*
94	122-250-24	O-Ring (Brg.Housing/O.Casing)	1	230xd3.8	VITON	*
100	122-000-00	O-Ring (Upp./Low. P.Casing)	1	395xd5	VITON	*
		NPT Flange Version				
	048-000-00	Screwed Flange	1	NPT-4(JIS10K)	SCS14	N3-01289-3T(A573704)
	121-106-21	Packing	1	JIS10Kx100mm	VITON	
	140-130-23	Hex.Bolt	8	M16x70	SUS316	
	141-008-24	Hex.Nut	8	M16	SUS316	
	142-166-24	Spring Washer	8	M16	SUS316	
		Lubricant		Turbine Oil VG32 6,200ml		

PARTS LIST		HI PRESSURE DEWATERING PUMP			5/25/2018	
ITEM	PART No.	DESCRIPTION	QTY	SIZE	MATERIAL	NOTES

EXPLODED VIEW

LH422-14-61



C-00459-1