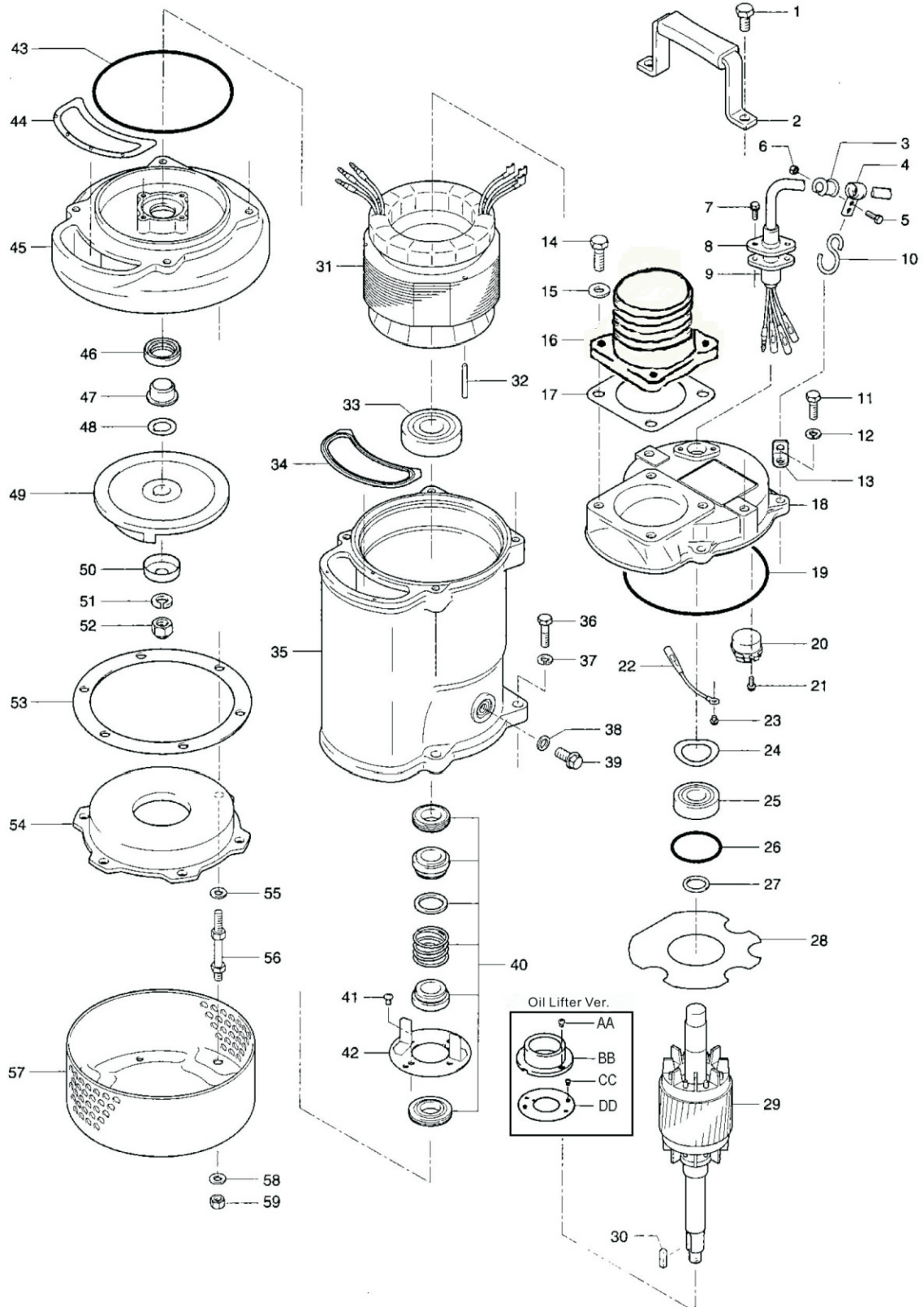


Parts List

Dewatering Pumps

Control No's: KTZ-9-2-1 & KTZ-10-2-1



PARTS LIST		CONTRACTOR DEWATERING PUMPS					
ITEM	PARTS No.	DESCRIPTION	Q'TY	SIZE	MATERIAL		NOTES
1	140-074-15	Hex Bolt 10x20	2	M10x20	SUS304		
2	068-232-16	Handle NK2-15/22	1	KTV-15/22	SPC+Rubber		
2	068-162-14	Handle KTZ-15/22	1	KTZ-15	SPC+NBR		
3	010-126-17	Cable Clip Rubber	1	HS2	NBR		
4	010-105-10	Cable Clip	1		SPC		
5	140-018-37	Hex. Bolt 5x15 SWRM3	1	M5x15	SWRM		
6	141-003-58	Hex.Nut M5	1	M5	SWRM		
7	140-427-17	Hex. Bolt 5x15	2	M5x15, w/ Washer	SUS304		
8	003-190-10	Gland LB/HS/S2	1		SUS316		
9	001-803-33	Cable w/Gland 50'	1	LBT, AWG 16/4 X 50'	VCT		
10	011-100-18	Shackle	1	S-8	SS		
11	140-056-11	Hex. Bolt 8x30	4	M8x30	SUS304		
12	142-163-18	Spring Washer M8	4	M8			
13	070-111-15	Fittings(Shape L)	1	KTV/Z-15/22	SPC		
14	140-076-59	Hex.Bolt 10x30 SUS410	4	M10x30	SUS410		
15	142-128-24	Plain Washer M10	4	M10			
16	032-158-16	Hose Coupling NPT 2"	1	NPT-2" (KTV)	FC		
16	032-160-11	Hose Coupling NPT 3"	1	NPT 3"	FCD		
17	121-181-17	Packing	1	KT-15	NBR	*	
18	050-421-19	Mtr Bracket KTZ2(3)1.5-60	1	KTZ21.5-50/60	FC		
19	122-140-17	O-Ring G-145 (3.1)	1	G-145	NBR	*	
20	053-270-23	Mtr Protector KA313-GQVJ101 (200-220V)	1	KA313-GQVJ101 (T.C) (220V)			
20	053-471-13	Mtr Protector KA311-DPWJ78 (400-460V)	1	KA311-DPWJ78 (T.C) (440V)			
20	053-479-11	Mtr Protector KA311-DPTL62A (575V)	1	KA311-DPTL62A (T.C) (575V)			
21	143-126-12	Screw	2	M4x12, w/ S.Washer & Washer	SWRM		
22	009-211-16	Earth Terminal Set	1	AWG16 x 120L			
23	143-085-34	Cross Pan Screw 4x6 BSBM	1	M4 x 6L	SWRM		
24	142-195-19	Wave Washer #6204/6303	1	#6204 (H)	SK-5		
25	052-103-18	Bearing	1	6204ZZC3			
26	122-293-16	O-Ring 47x3.1	1	47xd3.1	NBR	*	
27	061-174-18	Bearing Collar	1	d20xD27x2t	SPC		
28	058-176-10	L. Wire Prot. Plate KTZ21.5-60	1	d58xD138x1.5t	Bakelite		
29	055-705-15	Rotor & Shaft KTZ2(3)1.5-60	1	KTZ21.5-50/60			
30	147-017-11	Impeller Key 5x5x20	1	5x5x20L	SUS		
31	056-865-17	Stator 220V KTZ2(3)1.5-60	1	KTZ21.5-50/60 (200-50, 200/220-60)			
31	056-943-10	Stator 380V-50HZKTZ21.5-50/60(380-50)	1	KTZ21.5-50/60 (380-50)			
31	056-907-12	Stator 440V KTZ2(3)1.5-60	1	KTZ21.5-50/60 (400/415-50, 400/440/460-60)			
31	056-919-17	Stator 575V-60HZKTZ21.5-50/60(525-50,575-60)	1	KTZ21.5-50/60 (525-50, 575-60)			
32	145-027-18	Taper Pin	1	d5x40L	S45C		
33	052-108-13	Bearing	1	6305ZZC3			
34	121-507-13	Motor Frame Packing	1	KTZ21.5/32.2	NBR	*	
35	064-000-10	Motor Frame	1	KTZ21.5/22.2-50/60	FC		
36	140-056-11	Hex. Bolt 8x30	4	M8x30	SUS304		
37	142-163-18	Spring Washer M8	4	M8			
38	121-246-11	Packing 10.3x16x2t	1	d10.3xD16x2t	PE-sheet	*	
39	035-125-13	Oil Plug 10x20	1	M10x20 (Flange Bolt, S=13)	SUS304		
40	025-243-17	Mechanical Seal H-20T	1	H-20T	SiC		
41	143-027-12	Cross Pan Screw 5x8	4	M5x8	SWRM		
42	030-126-19	Oil Ring	1	HT-2025	SPCC		
43	122-139-13	O-Ring G-140	1	G-140	NBR	*	
44	121-501-17	Pump Casing Packing	1	KTZ21.5/22.2	NBR	*	
45	020-001-01	Pump Casing	1	KTZ21.5/32.2	FC		
46	026-105-19	Oil Seal	1	DD-25388	NBR		
47	071-314-13	Shaft Sleeve KTZ1.5/2.2	1	d20xD25x16L	SUS304		
48	040-104-25	Impeller Shim	0	18.2 x 29	SUS304		
49	021-555-26	Impeller KTV(Z)-15H, KTZ21.5	1	KTV-15H-60Hz	HiCrFC		
49	021-553-24	Impeller KTV(Z)-15L, KTZ31.5	1	KTV-15L-60Hz	HiCrFC		
49	021-554-12	Impeller KTV(Z)-22H, KTZ22.2	1	KTV-22H-60Hz	HiCrFC		
49	021-552-23	Impeller KTV(Z)-22L, KTZ32.2	1	KTV-22L-60Hz	HiCrFC		
50	047-113-28	Impeller Thread Cover	1	No. 3A	SUS304		
51	142-165-10	Spring Washer M12	1	M12	SUS304		
52	141-032-14	Hex. Cap Nut M12	1	M12	SUS304		
53	120-110-12	Packing KTZ-15/22, NK-15	0	d150xD186x0.3t	PE-sheet		
54	022-000-52	Suction Cover	1	KTZ21.5/22.5	FCD		
54	022-000-53	Suction Cover	1	KTV	FCD		
55	142-127-23	Plain Washer M8	3	M8	SPC		
56	144-492-15	Stud Bolt 8x85	3	M8x85 (12/30)	SUS410		
57	023-472-11	Strainer Stand KTZ2(3)1.5/2.2	1	KTZ21.5/32.2	SPCC		
58	142-127-23	Plain Washer M8	3	M8	SPC		
59	141-005-89	Hex.Nut (M8)	3	M8	SWRM		

* Indicates items included in set



MODEL **KTZ(2)(3)1.5-60**

PARTS LIST		CONTRACTOR DEWATERING PUMPS					
ITEM	PARTS No.	DESCRIPTION	Q'TY	SIZE	MATERIAL		NOTES
>>>>> PACKING O-RING SET:							
	173-513-13	Pack O-Ring Set KTZ1.5/2.2-60	1	(*)			
17	121-181-17	Packing	1	KT-15	NBR	*	
19	122-140-17	O-Ring G-145 (3.1)	1	G-145	NBR	*	
26	122-293-16	O-Ring 47x3.1	1	47xd3.1	NBR	*	
34	121-507-13	Motor Frame Packing	1	KTZ21.5/32.2	NBR	*	
38	121-246-11	Packing 10.3x16x2t	1	d10.3xD16x2t	PE-sheet	*	
43	122-139-13	O-Ring G-140	1	G-140	NBR	*	
44	121-501-17	Pump Casing Packing	1	KTZ21.5/22.2	NBR	*	
>>>>> OIL LIFTER VERSION							
AA	143-070-23	Cross Pan Screw (Scotch) 5x6	2	M5x6	SWRM		
BB	030-144-13	Oil Lifter H-20(T)	1	H-20(A)(T)	Resin		
CC	143-070-10	Cross Head Screw 5x6	4	M5 x 6L	SWRM		
DD	030-154-16	Fixing Plate H-20T	1	H-20T	SPCC		
>>>>> OPTIONAL:							
9	001-803-62	Cable w/Gland 100' KTZ1.5/2.2	1	LBT, AWG 16/4 X 100'	VCT		
9	001-803-33-150F	Cable AWG16/4x150'	1	LBT, AWG 16/4 x 150'	VCT		

NOTE:
Pricing in U.S. currency and subject to change without notice.
Items with (*) indicate items are included in the set
No Electrical Components will be accepted as a return