

PARTS LIST		AGITATOR PUMP				11/8/2019
ITEM	PART No.	DESCRIPTION	QTY	SIZE	MATERIAL	NOTES
1	001-517-37	Cabtyre Cable Set (50') 60Hz (USA)	1	2PNCTF4Cx8mm2	KR-3	interchangable w/OLD# 001-314-32
2	006-127-15	Stuffing Box	1	No.3	FC	included in ITEM#1 Cable Ass'y
3	140-055-10	Hex.Bolt	4	M8x25	SUS304	
4	070-107-18	Cable Clamp	1		FC	included in ITEM#1 Cable Ass'y
5	140-035-14	Hex.Bolt	2	M6x20	SUS304	included in ITEM#1 Cable Ass'y
6	008-147-17	Mould Cover 60Hz (USA)	1	KR3-9	CR	included in ITEM#1 Cable Ass'y
7	010-120-18	Cable Clip	1	No.2-1	SPC	
8	010-122-10	Cable Clip Rubber	1	No.2	NBR	
9	141-004-17	Hex.Nut	1	M6	SUS304	
10	140-033-12	Hex.Bolt	1	M6x15	SUS304	
11	095-000-95	Chain	1	4mm(4L)	SS	replaces OLD# 095-131-18 (3L)
12	011-110-11	Shackle	1	6mm(M8,SC)	SS	
13	140-104-15	Hex.Bolt	4	M12x65	SUS304	
14	142-165-10	Spring Washer	4	M12	SUS304	
15	070-103-10	L-Shape Fitting	1	KT-55	SPC	
16	009-129-16	Terminal	6	E (Small)	CU	included in ITEM#1 Cable Ass'y
17	009-101-12	Terminal(C/W Screw)	3	d12x(d6.6xd6.6)x25l	C3604	
18	002-129-15	Heat Shrink Tube (Sold per meter)	m	EVA(d14x1t)	(Vm)	
19	002-132-11	Heat Shrink Tube (Sold per meter)	m	A4(d17x0.27t)	(Vm)	
20	032-254-13	Hose Coupling 6"	1	NPT-6(KRS)	FC	
	032-378-14	Hose Coupling 4" OPTIONAL		NPT-4	FC	OPTION
21	140-076-17	Hex.Bolt	5	M10x30	SUS304	
22	122-285-15	O-Ring	1	155xd3.1	NBR	*
23	140-100-11	Hex.Bolt	1	M12x45	SUS304	
24	142-165-10	Spring Washer	1	M12	SUS304	
25	068-160-12	Handle	1	KRS-D6/B6(T)	SGP+SPC	
26	143-000-76	Pan Screw (w/Spring Washer/Plain Washer)	1	M6x8	SWRM	
27						
28	009-106-17	Terminal	1	R-8-6	CU	included in ITEM#1 Cable Ass'y
29	050-365-14	Motor Bracket	1		FC	
30	122-250-11	O-Ring	1	230xd3.8	NBR	*
31	053-317-10	Motor Protector 208/230V-60Hz (USA)	1	KA315-JTAL00	(B.C)	
	053-398-15	Motor Protector 460V-60Hz (USA)	1	KA314-HLYL00	(B.C)	
	053-192-17	Motor Protector 575V-60Hz (USA)	1	KA314-HKXL00	(B.C)	
32	143-125-24	Pan Screw (w/Spring Washer/Plain Washer)	2	M4x14	SWRM	
33	142-199-13	Wave Washer	1	6208/6307	SK5	
34	052-110-18	Bearing	1	6307ZZC3		
35	058-147-12	Lead Wire Protection Plate	1	d100xd204x1.6t	Bakelite	

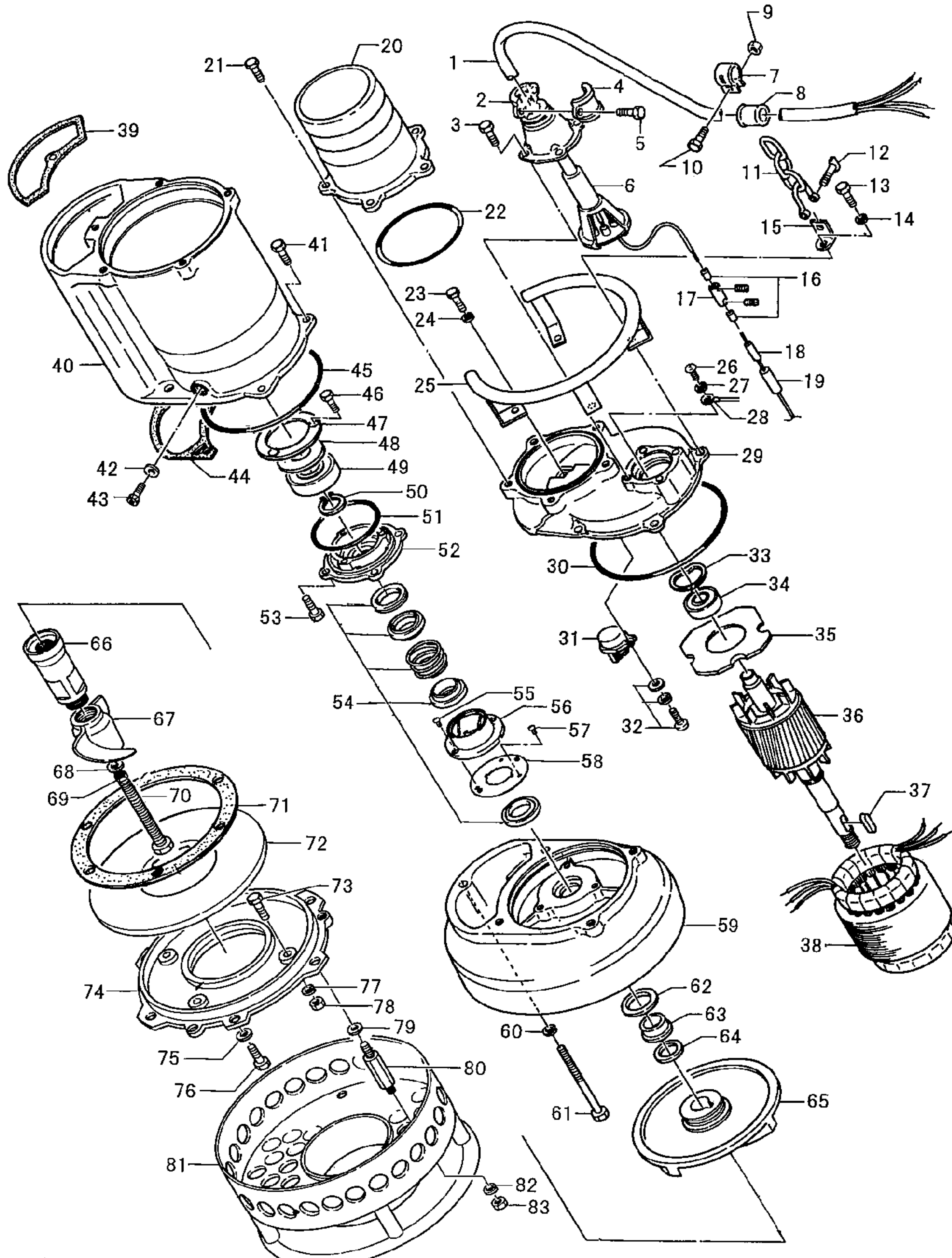
PARTS LIST		AGITATOR PUMP				11/8/2019
ITEM	PART No.	DESCRIPTION	QTY	SIZE	MATERIAL	NOTES
36	055-564-10	Rotor	1Set			
37	147-021-18	Impeller Key	1	8x8x44l	SUS420	
38	056-492-19	Stator 208/230V-60Hz (USA)	1Set			
	056-001-96	Stator 460V-60Hz (USA)	1Set			
		Stator 575V-60Hz (USA)	1Set			
39	121-304-18	Packing (Water Way, Upp.)	1	KRS-7.5/11(T)	NBR	*
40	064-450-10	Motor Frame	1		FC	
41	140-100-11	Hex.Bolt	4	M12x45	SUS304	
42	121-247-12	Packing	1	d12.3xd18x2t	PE	*
43	035-113-18	Oil Plug	1	M12x14	SUS304	
44	121-129-17	Packing (Water Way, Low.)	1	KRS-7.5/11	NBR	*
45	122-311-11	O-Ring	1	220xd3.5	NBR	*
46	140-029-28	Hex.Bolt	3	M6x10	SWRM	
47	062-158-19	Bearing Fixing Plate	1	d95xd144x4.5t(6Hole)	SPCC	
48	061-142-17	Bearing Collar	1	d50xd70x3t	SPC	
49	052-113-11	Bearing	1	6310ZZC3		
50	146-029-13	Retaining Ring	1	C50	SK5	
51	122-140-17	O-Ring	1	G-145(144.4xd3.1)	NBR	*
52	060-222-19	Bearing Housing	1		FC	
53	140-054-48	Hex.Bolt	4	M8x20	SWRM	
54	025-195-13	Mechanical Seal	1	H-35	SiC	
55	143-070-23	Pan Screw	2	M5x6	SWRM	
56	030-156-18	Oil Lifter	1	H-35(A)(T)	Resin	
57	143-070-10	Pan Screw	3	M5x6	SWRM	
58	030-150-12	Seal Stopper	1	H-35(A)(T)	SPCC	
59	020-380-12	Pump Casing (60Hz)	1	KRS-B6	FC	
	020-382-14	Pump Casing (50Hz) OPTION	1	KRS-D6	FC	50Hz OPTION
60	142-165-10	Spring Washer	1	M12	SUS304	
61	140-113-17	Hex.Bolt	1	M12x120	SUS304	
62	026-123-13	Oil Seal	1	TC-406211	NBR	
63	071-128-47	Shaft Sleeve	1	KRS-7.5/11KW	SUS403	
64	040-110-24	Impeller Shim		d32.5xd58x0.3t	SUS304	
65	021-572-16	Impeller (60Hz)	1	KRS2-150	HiCrFC	
	021-675-10	Impeller (50Hz) OPTION	1	KRS2-150	HiCrFC	50Hz OPTION
66	024-126-23	Connection Rod	1	KRS-100	FCMB	
67	024-120-14	Stirrer	1	GPN-80	HiCrFC	
68	142-130-16	Plain Washer	1	M16	SUS304	
69	141-008-40	Hex.Nut	1	M16(H=10)	SUS304	

PARTS LIST		AGITATOR PUMP				11/8/2019
ITEM	PART No.	DESCRIPTION	QTY	SIZE	MATERIAL	NOTES
70	140-139-19	Hex.Bolt	1	M16x143(B=19)	SUS304	
71	120-112-14	Packing (S.Cover) 60Hz	1	d260xd314x0.5t	PE	
	120-105-14	Packing (S.Cover) 50Hz OPTION	1	d291xd348x0.5t	PE	50Hz OPTION
72	033-110-19	Suction Plate 60Hz	1	KRS-100	HiCrFC	
72	033-114-13	Suction Plate 50Hz OPTION	1	KRS-100	HiCrFC	50Hz OPTION
73	140-057-41	Hex Bolt 60Hz	3	M8x35 (B=14)	SWRM	
73	140-001-08	Square Bolt 50Hz OPTION	3	M8x35	SWRM	50Hz OPTION
74	022-420-24	Suction Cover 60Hz	1	KRS-100	FC	
74	022-467-23	Suction Cover 50Hz OPTION	1	KRS-100	FC	50Hz OPTION
75	142-129-12	Plain Washer	3	M12	SUS304	
76	140-097-14	Hex.Bolt	3	M12x30	SUS304	
77	142-163-18	Spring Washer	3	M8	SUS304	50Hz OPTION has 4
78	141-005-18	Hex.Nut	3	M8	SUS304	50Hz OPTION has 4
79	142-129-12	Plain Washer	3	M12	SUS304	
80	144-478-15	Stud Bolt	3	M12x111(21/25)	SUS403	
81	023-001-85	Strainer Stand (2nd Rev) 60Hz	1Set	KRS-100 (189mm)	SGP+SS	
81	023-001-86	Strainer Stand (2nd Rev) 50Hz	1Set	KRS-100 (189mm)	SGP+SS	50Hz OPTION
82	142-165-10	Spring Washer	3	M12	SUS304	
83	141-007-10	Hex.Nut	3	M12	SUS304	
	173-436-11	<b>Packing O-Ring Set</b>	1Set	(Marked by *)		
22	122-285-15	O-Ring (Hose Coupling)	1	155xd3.1	NBR	*
30	122-250-11	O-Ring (M.Bracket/M.Frame)	1	230xd3.8	NBR	*
39	121-304-18	Packing (Water Way, Upp.)	1	KRS-7.5/11(T)	NBR	*
42	121-247-12	Packing (Oil Plug)	1	d12.3xd18x2t	PE	*
44	121-129-17	Packing (Water Way, Low.)	1	KRS-7.5/11	NBR	*
45	122-311-11	O-Ring (M.Frame/P.Casing)	1	220xd3.5	NBR	*
51	122-140-17	O-Ring (M.Frame/Brg.Housing)	1	G-145(144.4xd3.1)	NBR	*
		Lubricant		Turbine Oil VG32 2,300ml		

PARTS LIST		AGITATOR PUMP		11/8/2019		
ITEM	PART No.	DESCRIPTION	QTY	SIZE	MATERIAL	NOTES

## EXPLODED VIEW

KRS2-150



\* Indicates items included in set



MODEL **KRS2-150**

PARTS LIST		AGITATOR PUMP				11/8/2019
ITEM	PART No.	DESCRIPTION	QTY	SIZE	MATERIAL	NOTES

(C-00008-1)