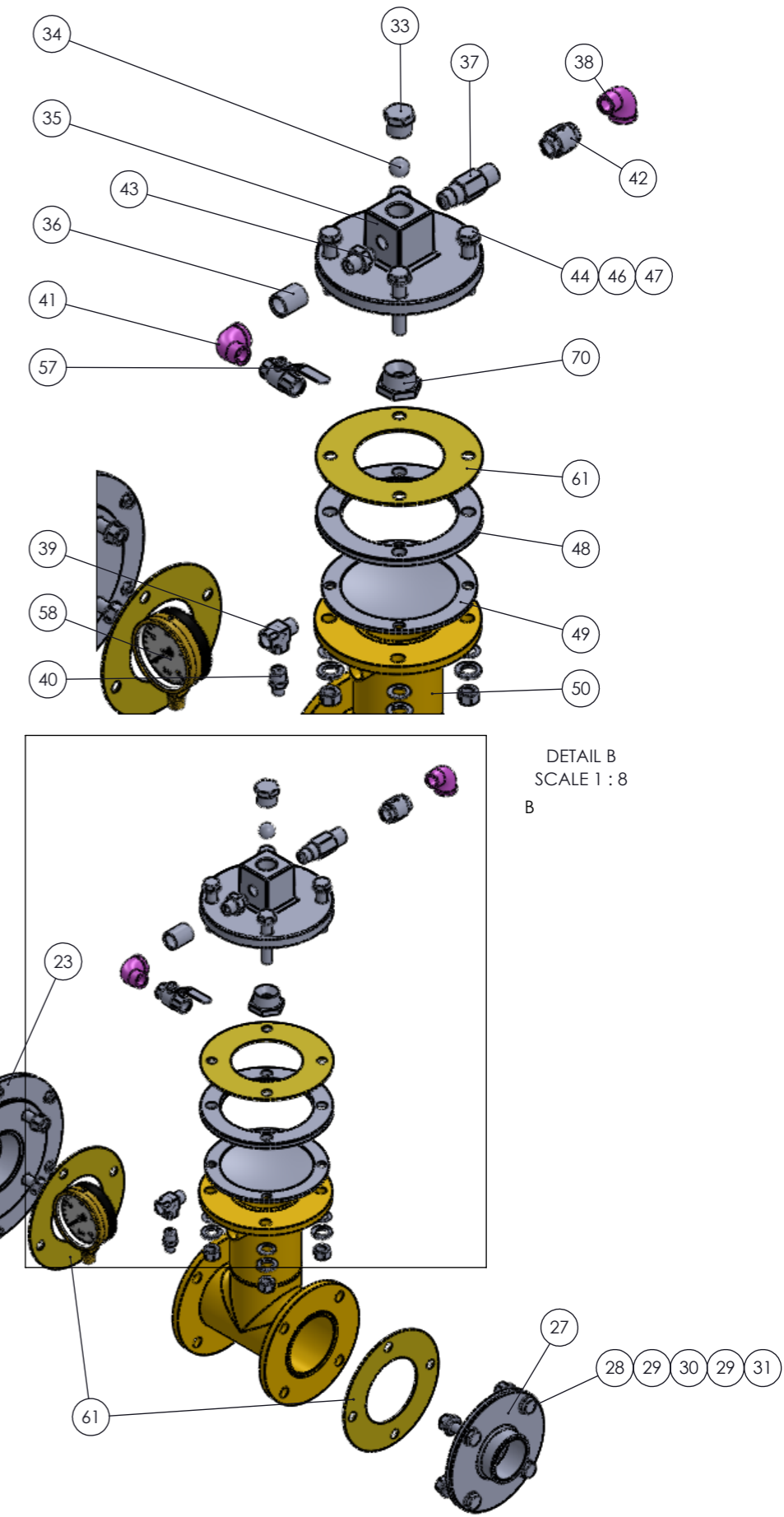


SEE "DETAIL A" EXPLODED VIEW

DETAIL A



<p>GENERAL TOLERANCE UNLESS OTHERWISE STATED</p> <p>0.05 ± 0.05 0 ± 0.5 OVER 0 TO 500 ± 1 OVER 500 TO 5000 ± 1 OVER 5000 TO 10000 ± 1 ANGLES ± 0.5°</p> <p>SURFACE FINISH FABRICATION <math>\sqrt{3.2}</math> MACHINING <math>\sqrt{0.4}</math></p>		<p>ALL DIMENSIONS IN MILLIMETERS DO NOT SCALE - IF IN DOUBT ASK</p> <p>TRIFLO PUMPING SYSTEMS ABN 80 147 423 916 OWNS THE COPYRIGHT TO THIS DRAWING WHICH IS ITS EXCLUSIVE PROPERTY AND WHICH IS SUPPLIED IN CONFIDENCE AND WHICH MUST NOT BE USED FOR ANY PURPOSE OTHER THAN THAT EXPRESSLY PERMITTED IN WRITING BY THE OWNERS AND MUST NOT BE DISCLOSED OR REPRODUCED WITHOUT PERMISSION FROM THE OWNERS IN WRITING. THIS DRAWING MUST BE RETURNED TO THE OWNERS WHEN THE PURPOSE FOR WHICH IT IS SUPPLIED HAS CEASED.</p>		<p>TRIFLO PUMPING SYSTEMS™ PUMPING SYSTEMS™ ABN 80 147 423 916 8-12 IRVING PLACE, BATHURST, NSW 2795 PH: 02 6332 4500 FAX: 02 6332 3607 EMAIL: info@triflo.com.au</p>		<p>DRAWING TITLE TRIFLO JUMBO PUMP EXPLODED VIEW</p> <p>DRAWING NUMBER JP-3-2-02-EXP</p> <p>REV 5</p>	
<p>DATE 15/01/2018</p> <p>BY V.BRITTO</p> <p>CHECKED C.ALLBUT</p>		<p>DATE 15/01/2018</p> <p>BY V.BRITTO</p> <p>CHECKED C.ALLBUT</p>		<p>SIZE A3</p> <p>SCALE 1:10</p> <p>ASSTD 15/01/2018</p> <p>SHEET NO. 1 OF 2</p>			

DRAWING: PUMP PRODUCTS JUMBO PUMP, JP-3-2-02-EXP  
MODEL: PUMP PRODUCTS JUMBO PUMP, JP-3-2-02-EXP

Item No.	Part No.	Quantity	Description
1	JP-3-2-Motor-60	1	Motor Assembly
2	JP-3-2-100-901	4	M12 x 40 Metric Hexagon Bolt - A51100 Gr 8.8
3	JP-3-2-100-902	8	12mm Metric Flat Metal Washer
4	JP-3-2-100-902	4	12mm Helical Spring Washer
5	JP-3-2-100-903	4	M12 Type 8 Metric Hexagon Nut
6	JP-3-2-700	1	Pump Shaft Assembly
7	JP-3-2-700-03	1	Shaft Collar
8	JP-3-2-330-902	1	Sleeve O Ring
9	JP-3-2-200	1	Motor Bell Housing
10	JP-3-2-330-01	1	Seal Cover Plate M8 x 25 SS Bolts, Spring and Flat Washers (4 off)
11	JP-3-2-330-901	1	Lip seal
12	JP-3-2-501	1	Discharge Tee Assembly
13	JP-3-2-501-901	4	M16 x 60 Metric Hexagon Bolt
14	JP-3-2-501-902	8	16mm Metric Flat Metal Washer
15	JP-3-2-501-904	4	20mm Metric Helical Spring Washers
16	JP-3-2-501-903	4	M16 Type 8 Metric Hexagon Nut
17	JP-3-2-300-104	1	Outlet Seal
18	JP-3-2-300	1	Volute Casing
19	JP-3-2-350	1	Shaft Mechanical Seal
20	JP-3-2-315-01	3	Suction Cover Gasket
21	JP-3-2-310-01	1	Impeller
22	JP-3-2-700-901	1	M20 Glenloch Nut Grade 304 Metric Nut
23	JP-3-2-320	1	Suction Cover
24	JP-3-2-320-901	6	M10 Type 8 Metric Hexagon Nut
25	JP-3-2-320-902	6	10mm Metric Helical Spring Washer
26	JP-3-2-320-903	6	10mm Stud
27	JP-3-2-421	1	Inlet Connection Plate
28	N/A	4	M16 x 50 Hexagon Bolt
29	JP-3-2-421-902	4	16mm Metric Flat Metal Washer
30	JP-3-2-421-903	8	16mm Metric Helical Spring Washer
31	JP-3-2-421-904	4	M16 Type 8 Metric Hexagon Nut
32	JP-3-2-902-60	1	Motor Pump Cassette
33	JP-3-2-400-101	1	1" BSP Hexagon Plug
34	JP-3-2-401-107	1	Ball
35	JP-3-2-401-04	1	Vacuum Canister Head
36	JP-3-2-400-104	1	1/2" BSP Socket
37	JP-3-2-400-105	1	Rear Inlet Nipple
38	N/A	1	3/4" BSP 90° Threaded Elbow MXF
39	JP-3-2-400-108	1	1/2" BSP Tee - Female x Female x Male
40	JP-3-2-400-110	2	9/16 JIC37° / 3/8" BSP Male - 90° Elbow
41	N/A	1	1/2" BSP 90° Threaded Elbow MXF
42	JP-3-2-400-103	1	3/4" BSP Check Valve
43	JP-3-2-400-102	1	Front Inlet Nipple
44	JP-3-2-401-905	4	M16 x 65 Metric Hexagon Bolt
45	JP-3-2-401-906	4	M16 x 55 Stud
46	JP-3-2-401-902	8	16mm Metric Flat Metal Washer
47	JP-3-2-401-903	4	M16 Metric Hexagon Nut
48	JP-3-2-401-805	1	100mm Talbe D Flange Stainless Steel
49	JP-3-2-401-03	1	Inline Filter
50	JP-3-2-401	1	Vacuum Tee Canister
51	JP-3-2-801-01	1	Reservoir Weldment
52	JP-3-2-800-101	1	1/4" Breather Cap
53	JP-3-2-800-102	1	3/4" Plug Hexagon Socket BSP
54	JP-3-2-800-105	2	Window Sight Glass 3/4"
55	JP-3-2-800-103	1	1/4" Elbow 45° Male x Female
56	JP-3-2-800-106	2	Tailpiece Male 3/8" x 1/4" BSP
57	JP-3-2-401-108	1	1/2" Ball valve
58	JP-3-2-100	1	0-100 Vacuum Gauge
59	JP-3-2-300-106	1	Reservoir Hose - 3/8" Push On - 280mm long goes onto LMBO406 one end LFJ0906 the other end
60	JP-3-2-801-104	1	Reservoir Hose - 3/8" Push On - 680mm long
61	JP-3-2-320-101	3	Cover Plate Seal
62	JP-3-2-200-101	1	Bell Housing Guard No.1
63	JP-3-2-300-102	1	Bell Housing Guard No.2
64	JP-3-2-300-101	1	Cover Plate Gasket
65	JP-3-2-300-20	1	Hose Assembly - 3/8" Hyd Hose to 9/16" JIC Fitting - 300mm long 1 straight SFJ0906 / 1 45° EFJ0906
66	JP-3-2-501-108	1	3/4" Ball Valve Discharge Drain
67	JP-3-2-700-903	1	Washer
68	JP-3-2-501-102	1	Rubber Ball
69	JP-3-2-500	1	2 1/2" Swing Check Valve
70	JP-3-2-401-110	1	Vacuum Canister Ball Seat Fitting
71	JP-3-2-700-04	1	Shaft Locking Bolt
72	JP-3-2-500-101	1	End Cap
73	JP-3-2-700-02	1	Key
	JP-3-2-H2	Kit	Hose Kit
	JP-3-2-450	1	Strainer

GENERAL TOLERANCE UNLESS OTHERWISE STATED	± 0.05 0.05 0 + 0.05 + 0.1 + 0.1 + 0.1
OVER 0 TO 500 OVER 500 TO 5000 OVER 5000 TO 10000 ANGLES	
SURFACE FINISH	0.3 3.2
FABRICATION	✓
MACHINING	✓

ALL DIMENSIONS IN MILLIMETERS  
DO NOT SCALE - IF IN DOUBT ASK  
TRUFLO PUMPING SYSTEMS ABN 80  
147 423 516 OWNS THE COPYRIGHT TO THIS  
DRAWING WHICH IS ITS EXCLUSIVE  
PROPERTY AND WHICH IS SUPPLIED IN  
CONFIDENCE AND WHICH MUST NOT BE  
USED FOR ANY PURPOSE OTHER THAN THAT  
EXPRESSLY PERMITTED IN WRITING BY THE  
OWNERS AND MUST NOT BE DISCLOSED OR  
REPRODUCED WITHOUT PERMISSION FROM  
THE OWNERS IN WRITING. THIS DRAWING  
MUST BE RETURNED TO THE OWNERS WHEN  
THE PURPOSE FOR WHICH IT IS SUPPLIED  
HAS CEASED.



8-12 IRVING PLACE, BATHURST, NSW 2795  
ABN 80 147 423 516  
PH 02 6332 4500 FAX 02 6332 3607  
EMAIL: info@truflo.com.au

DRAWING TITLE TRUFLO JUMBO PUMP EXPLODED VIEW		REV 5
DRAWING NUMBER JP-3-2-02-EXP		
V BRITTO	15/01/2018	C ALLBUT
V BRITTO	15/01/2018	C ALLBUT
SIZE A3	SCALE 1:20	SHEET NO. 2 OF 2

DRAWING: PUMP PRODUCTS JUMBO PUMP JP-3-2-02-EXP  
MODEL: PUMP PRODUCTS JUMBO PUMP JP-3-2-02-EXP