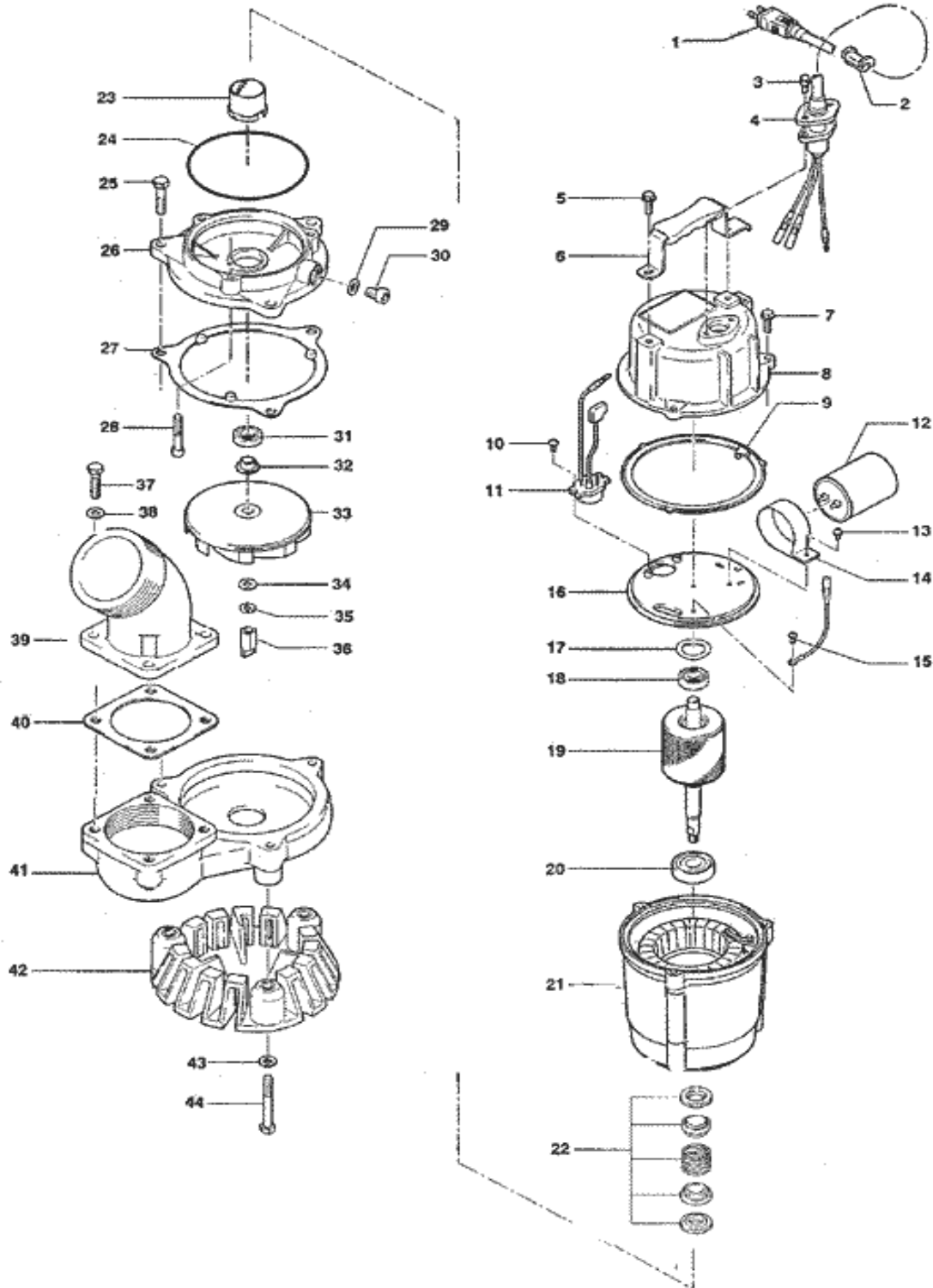


PARTS LIST		CONTRACTOR PUMPS				12/4/2012
ITEM	PART No.	DESCRIPTION	QTY	SIZE	MATERIAL	NOTES

EXPLODED VIEW HS3.75S-51/61



PARTS LIST		CONTRACTOR PUMPS			12/4/2012	
ITEM	PART No.	DESCRIPTION	QTY	SIZE	MATERIAL	NOTES
1	001-471-12	Cabtyre Cable Set (10m)115V-60Hz(USA)	1	VCT3Cx2mm2	LB	
	001-443-31	Cabtyre Cable Set (10m)230V-60Hz(USA)	1	VCT3Cx2mm2	LB	
2	010-134-18	Cable Clip Rubber 110V-60Hz(USA)	1	HS3-4	NBR	
	010-163-16	Cable Clip Rubber 230V-60Hz(USA)	1	HS2.4S	NBR	
3	140-427-17	Hex.Bolt (w/Plain Washer)	2	M5x15	SUS304	
4	003-190-10	Grand	1		SUS316	
5	140-032-37	Hex.Bolt	2	M6x15	SWRM	
6	068-272-18	Handle	1	HS2.4(S)-50/60	SPCNR	
7	140-396-16	Hex.Bolt (w/Spring Washer/Plain Washer)	3	M6x20	SUS304	
8	051-000-21	Motor Head Cover	1		ADC	
9	121-000-72	Packing	1	d121xd140x2.8t	NBR	
10	143-127-13	Pan Screw (w/Spring Washer/Plain Washer)	2	M4x8	SWRM	
11	053-001-33	Motor Protector 110V-60Hz(USA)	1	KA142-BBBL21F	(T.C)	
	053-000-70	Motor Protector 230V-60Hz(USA)	1	KA142-BPVL25F	(T.C)	
12	076-000-38	Capacitor 110V-60Hz(USA)	1	80MF-250VAC(d50x70L)		
	076-000-37	Capacitor 230V-60Hz(USA)	1	20MF-440VAC(d45x85L)		interchangeable with OLD part# 076-000-30
13	143-086-22	Pan Screw (w/Spring Washer)	1	M4x8	SWRM	
14	127-000-34	Capacitor Fixing Plate 110V-60Hz(USA)	1	d50	SPC	
	127-000-35	Capacitor Fixing Plate 230V-60Hz(USA)	1	d45	SPC	
15	140-000-44	Hex.Bolt (w/Spring Washer/Plain Washer)	1	M4x8	SWRM	
16	050-000-48	Motor Bracket	1		ADC	
17	142-192-16	Wave Washer	1	6201(D=32,t=0.4)	SK5	
18	052-100-15	Bearing	1	6201ZZC3		
19	055-001-23	Rotor	1Set	w/Bearing		
20	052-152-12	Bearing	1	6302ZZC3		
21	056-004-10	Stator(w/M.Frame) 110V-60Hz(USA)	1Set			
	056-004-12	Stator(w/M.Frame) 230V-60Hz(USA)	1Set			
22	025-291-10	Mechanical Seal	1	W-14VL	SiC+CCBN	
23	030-000-09	Oil Lifter	1	W-14VL	Resin	
24	122-133-17	O-Ring	1	G-110(109.4xd3.1)	NBR	
25	140-056-37	Hex.Bolt	3	M8x30	SWRM	
26	029-000-74	Oil Casing	1	HS3.75S/HS2.75S	FCD	
27	121-000-74	Packing	1	HS3.75S/HS2.75S	NR	
28	140-256-26	Hex.Socket Cap Bolt	3	M6x35	SCM	
29	121-246-11	Packing	1	d10.3xd16x2t	PE	
30	035-124-12	Oil Plug	1	M10x15	SUS304	
31	122-441-11	V-Ring	1	VR-14	NBR	
32	071-292-14	Shaft Sleeve	1	LB3-250/480	SUS304	
33	021-007-55	Impeller (60Hz)	1	HSZ3.75S-61	Urethane Rubber	
34	142-127-10	Plain Washer	1	M8	SUS304	
35	142-163-18	Spring Washer	1	M8	SUS304	
36	024-174-13	Agitator	1	HS2.4(S)(M8)	Sintered Alloy	
37	140-076-33	Hex.Bolt	4	M10x30	SWRM	
38	142-128-24	Plain Washer	4	M10	SPC	

