

PARTS LIST		HIGH VOLUME DEWATERING PUMP			4/27/2021	
ITEM	PART No.	DESCRIPTION	QTY	SIZE	MATERIAL	NOTES
1	141-006-19	Hex.Nut	6	M10	SUS304	
2	010-103-21	Cable Clip	4	No.4	SPC	
3	010-129-10	Cable Clip Rubber	2	115x100x2t	NBR	
4	140-074-15	Hex.Bolt	6	M10x20	SUS304	
5	011-101-19	Shackle	4	6mm	SS	
6	095-000-95	Chain	2	4mm(4L)	SS	replaces OLD# 095-131-18 (3L)
7	072-100-20	Eye Bolt	2	M10	SUS304	
8	009-107-18	Terminal	1	R-14-6	CU	included in ITEM#20 Cable Ass'y
9	009-113-17	Terminal	6	R-38-10	CU	included in ITEM#19 Cable Ass'y included in ITEM#20 Cable Ass'y
10	009-116-10	Terminal	3	R-2-4	CU	included in ITEM#20 Cable Ass'y
11	140-056-53	Hex.Bolt	8	M8x30	SUS304	
12	141-005-18	Hex.Nut	8	M8	SUS304	
13	003-106-19	Gland	2	No.5	FC	included in ITEM#19 Cable Ass'y included in ITEM#20 Cable Ass'y
14	004-000-08	Cable Bush	2	d34.5xd58x27L	NBR	included in ITEM#19 Cable Ass'y included in ITEM#20 Cable Ass'y
15	006-103-28	Stuffing Box	2	No.5	FC	included in ITEM#19 Cable Ass'y included in ITEM#20 Cable Ass'y
16	122-264-18	O-Ring	2	140xd3.5	NBR	
17	140-076-17	Hex.Bolt	8	M10x30	SUS304	
18	142-164-19	Spring Washer	8	M10	SUS304	
19	001-009-53	Cabtyre Cable Set (50') 60Hz (USA)	1	3PNCT3Cx30mm2	No.5	
20	001-009-52	Cabtyre Cable Set (50') 60Hz (USA)	1	2PNCTFMulti-core7Cx30mm2	No.5	
21	008-105-13	Mould Cover	2	No.3	NBR	included in ITEM#19 Cable Ass'y included in ITEM#20 Cable Ass'y
22	003-149-14	Gland (Lower)	2	No.5	FC	included in ITEM#19 Cable Ass'y included in ITEM#20 Cable Ass'y
23	140-033-12	Hex.Bolt	8	M6x16	SUS304	
24	009-107-18	Terminal	1	R-14-6	CU	included in ITEM#20 Cable Ass'y
25	000-000-09					
26	143-000-58	Pan Screw (w/Spring Washer/Plain Washer)	1	M6x12	SWRM	
27	009-107-18	Terminal	2	R-14-6	CU	
28	009-115-19	Connector	1	PC-4020F		included in ITEM#20 Cable Ass'y
29	009-114-18	Connector	1	PC-4020M		
30	141-004-59	Hex.Nut	7	M6	SWRM	
31	009-167-16	Terminal	6	R-38-S6	CU	included in ITEM#19 Cable Ass'y included in ITEM#20 Cable Ass'y
32	009-107-18	Terminal	6	R-14-6	CU	
33	140-029-28	Hex.Bolt	7	M6x10	SWRM	
34	200-000-23	Electrical tape(30M)	7	540S(0.18T-25Wx30M)		
35	002-000-18	Heat Shrink Tube (Sold per meter)	7	W3F2(3/4IN)	(Vm)	
36	009-114-18	Connector	2	PC-4020M		included in ITEM#20 Cable Ass'y
37	009-115-19	Connector	2	PC-4020F		
38	140-052-17	Hex.Bolt	2	M8x16	SUS304	
39	142-163-18	Spring Washer	2	M8	SUS304	
40	046-000-05	Air Release Valve	1	GSZ/NKZ/B	SPCC	

PARTS LIST		HIGH VOLUME DEWATERING PUMP			4/27/2021	
ITEM	PART No.	DESCRIPTION	QTY	SIZE	MATERIAL	NOTES
41	121-151-18	Packing	1	P.C.80xd50	CR	*
42	203-058-11	Ball	1	d28	SS	
43	140-129-16	Hex.Bolt	8	M16x65	SUS304	
44	142-166-11	Spring Washer	8	M16	SUS304	
45	142-000-48	Washer	8	M16(d16.5xd31.5x5t)	SUS304	
46	121-514-13	Seal Packing	8	d15.5xd27x4t	CR	*
47	035-113-18	Oil Plug	1	M12x14	SUS304	
48	121-247-12	Packing	1	d12.3xd18x2t	PE	*
49	050-001-18	Motor Bracket	1		FC	
50	122-307-14	O-Ring	1	510xd5.7	NBR	*
51	142-455-10	Wave Washer	1	6312(d127x5t)	SK5	
52	052-114-12	Bearing	1	6312ZZC3		
53	058-000-44	Lead Wire Protection Plate	1		SPHC	
54	055-003-06	Rotor	1Set			
55	147-000-58	Impeller Key	1	18x11x76L	S42J2	
56	122-114-12	O-Ring	1	P-385(384.5xd8.5)	NBR	*
57	053-310-13	Motor Protector	3	9700K-76-215	(H)	
58	056-008-77	Stator(w/M.Frame) 460V-60Hz(USA)	1Set			
	056-008-78	Stator(w/M.Frame) 575V-60Hz(USA)	1Set			
59	140-130-10	Hex.Bolt	6	M16x70	SUS304	
60	142-166-11	Spring Washer	6	M16	SUS304	
61	140-096-13	Hex.Bolt	3	M12x25	SUS304	
62	142-298-13	Seal Washer	3	SM-12	SUS+NBR	*
63	122-114-12	O-Ring	1	P-385(384.5xd8.5)	NBR	*
64	065-000-67	Outer Cover	1	d532x732L	SS	
65	140-076-17	Hex.Bolt	4	M10x30	SUS304	
66	142-164-19	Spring Washer	4	M10	SUS304	
67	062-000-27	Bearing Cover	1		FC	
68	121-001-66	Packing	1	4x8x331L	Felt	*
69	052-000-76	Bearing	1Set	7317BDB		
70	142-250-13	Bearing Washer	1	AW17	SPCC	
71	141-082-19	Bearing Nut	1			
72	122-307-14	O-Ring	1	510xd5.7	NBR	*
73	140-131-11	Hex.Bolt	6	M16x75	SUS304	
74	142-166-11	Spring Washer	6	M16	SUS304	
75	060-001-87	Bearing Housing	1		FC	
76	035-113-18	Oil Plug	3	M12x14	SUS304	
77	121-247-12	Packing	3	d12.3xd18x2t	PE	*
78	122-307-14	O-Ring	1	510xd5.7	NBR	*
79	090-122-11	Leakage Sensor(Electrode)/w Gland	1Set	d9x43L	SUS	

PARTS LIST		HIGH VOLUME DEWATERING PUMP			4/27/2021	
ITEM	PART No.	DESCRIPTION	QTY	SIZE	MATERIAL	NOTES
80	140-021-17	Hex.Bolt	2	M5x20	SUS304	
81	025-000-52	Mechanical Seal	1	H-70	SiC	
82	143-028-13	Pan Screw	3	M5x10	SWRM	
83	030-135-11	Oil Lifter	1	H-70	SPCC	
84	122-316-16	O-Ring	1	365xd5.7	NBR	*
85	029-147-12	Oil Casing	1	GSZ-75-4	FC	
86	142-165-10	Spring Washer	6	M12	SUS304	
87	140-098-15	Hex.Bolt	6	M12x35	SUS304	
88	122-316-16	O-Ring	1	365xd5.7	NBR	*
89	026-119-16	Oil Seal	1	TC-8011515	NBR	
90	071-000-58	Shaft Sleeve	1	d70xd90x136L	SUS403	
91	140-097-14	Hex.Bolt	6	M12x30	SUS304	
92	142-165-10	Spring Washer	6	M12	SUS304	
93	028-121-17	Seal Housing	1	GSZ-75-4	FC	
94	122-252-13	O-Ring	1	270xd3.8	NBR	*
95	026-119-16	Oil Seal	2	TC-8011515	NBR	
96	026-151-23	Labyrinth Ring	1	GSZ-55/75-4	SUS403	
97	122-133-17	O-Ring	1	G-110(109.4xd3.1)	NBR	*
98	020-345-15	Pump Casing	1	GSZ-75-4	FC	
99	021-009-66	Impeller (60Hz)	1	GSZ2-55-4	HicrFc	
100	142-001-02	Plain Washer	1	d48xd96x6t(M45)	SPC	
101	142-174-12	Spring Washer	1	M45	SUS304	
102	141-000-21	Impeller Nut	1	M45,P=4.5	S35C	
103	122-394-18	O-Ring	1	455xd5	NBR	*
104	022-303-17	Suction Cover	1	GSZ-55/75-4	FC	
105	142-166-11	Spring Washer	8	M16	SUS304	
106	140-124-11	Hex.Bolt	8	M16x40	SUS304	
107	023-177-13	Strainer Stand	1	GSZ-55/75-4	SS	
108	142-166-11	Spring Washer	8	M16	SUS304	
109	140-124-11	Hex.Bolt	8	M16x40	SUS304	
	048-000-53	Screwed Flange	1	NPT-10(JIS10K)	FC	
	140-176-18	Hex.Bolt	12	M22x90	SUS304	
	141-010-16	Hex.Nut	12	M22	SUS304	
	142-169-14	Spring Washer	12	M22	SUS304	
	121-110-28	Packing	1	JIS10Kx250mm	NR	
	173-003-62	<b>Packing O-Ring Set</b>	1Set	(Marked by *)		
16	122-264-18	O-Ring (S.Box)	2	140xd3.5	NBR	*
41	121-151-18	Packing (Air Release Valve)	1	P.C.80xd50	CR	*
46	121-514-13	Seal Packing (M.Bracket Bolt)	8	d15.5xd27x4t	CR	*
48	121-247-12	Packing (Air Tightness Test Plug)	1	d12.3xd18x2t	PE	*



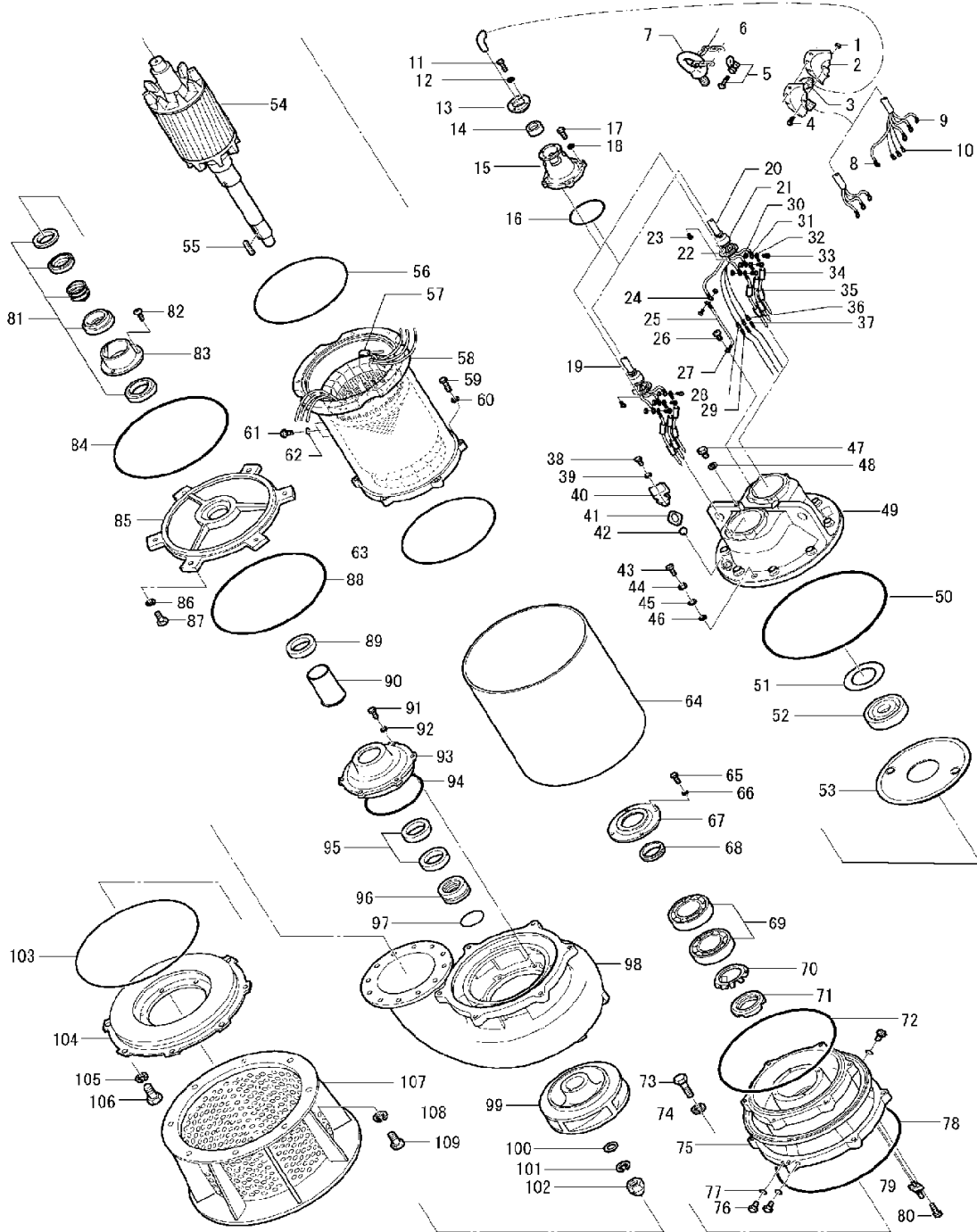
MODEL **GSZ2-55-4**

PARTS LIST		HIGH VOLUME DEWATERING PUMP			4/27/2021	
ITEM	PART No.	DESCRIPTION	QTY	SIZE	MATERIAL	NOTES
62	142-298-13	Seal Washer (Frame Set Bolt)	3	SM-12	SUS+NBR	*
63	122-114-12	O-Ring (M.Frame/Brg.Housing)	1	P-385(384.5xd8.5)	NBR	*
68	121-001-66	Packing (Brg.Cover)	1	4x8x331L	Felt	*
72	122-307-14	O-Ring (Brg.Housing/Out.Cover)	1	510xd5.7	NBR	*
77	121-247-12	Packing (Oil Plug)	3	d12.3xd18x2t	PE	*
78	122-307-14	O-Ring (Brg.Housing/P.Casing)	1	510xd5.7	NBR	*
84	122-316-16	O-Ring (O.Casing/Brg.Housing)	1	365xd5.7	NBR	*
88	122-316-16	O-Ring (S.Cover/P.Casing)	1	365xd5.7	NBR	*
94	122-252-13	O-Ring (Seal Housing/P.Casing)	1	270xd3.8	NBR	*
97	122-133-17	O-Ring (Labyrinth Ring)	1	G-110(109.4xd3.1)	NBR	*
103	122-394-18	O-Ring (S.Cover/P.Casing)	1	455xd5	NBR	*
		Lubricant		Turbine Oil VG32 9,400ml		

PARTS LIST		HIGH VOLUME DEWATERING PUMP		4/27/2021		
ITEM	PART No.	DESCRIPTION	QTY	SIZE	MATERIAL	NOTES

## EXPLODED VIEW

GSZ2-55-4  
GSZ2-75-4



C-001618-1