

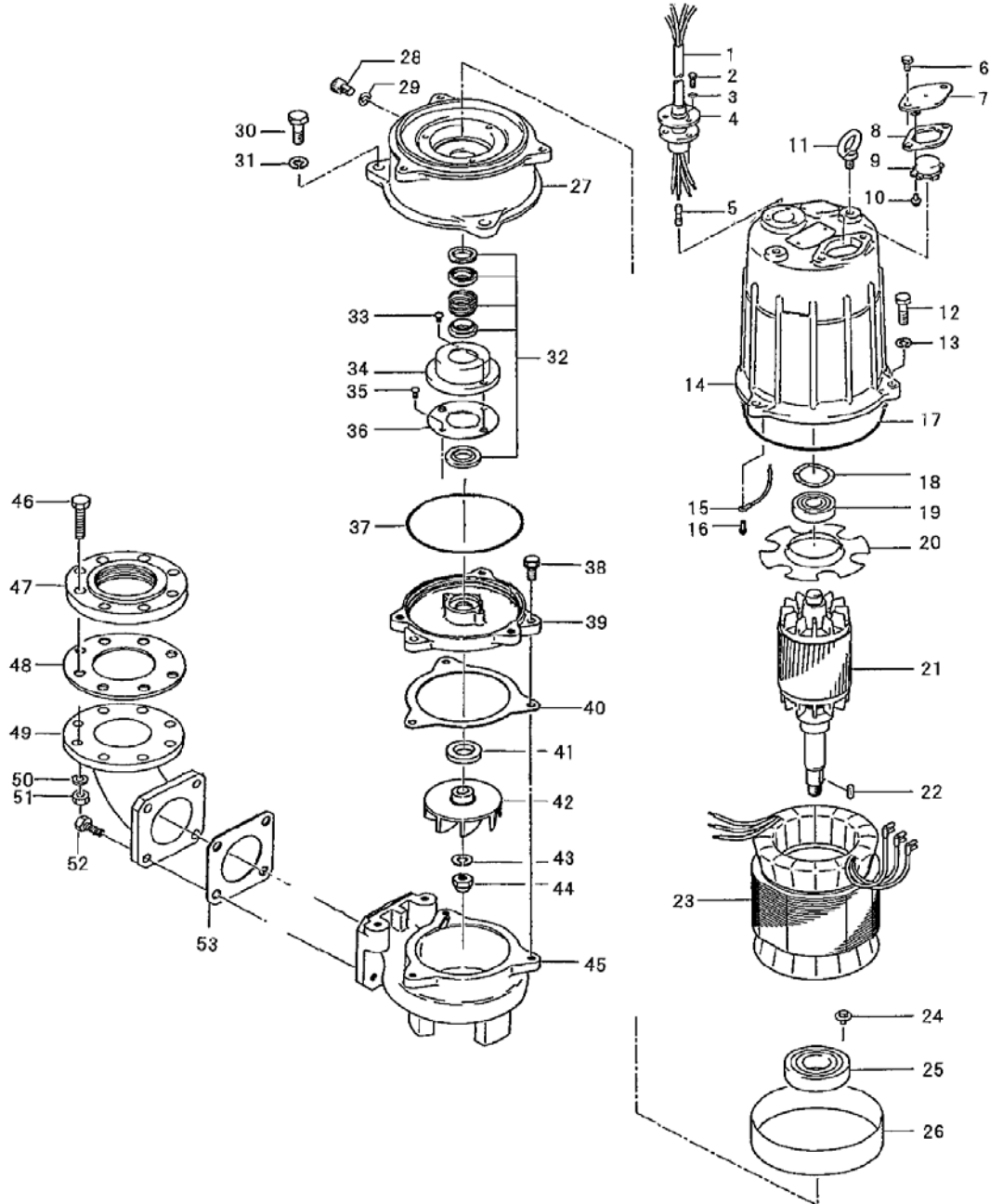
PARTS LIST		SEWER & WASTEWATER PUMPS			7/11/2016	
ITEM	PART No.	DESCRIPTION	QTY	SIZE	MATERIAL	NOTES
1	001-179-20	Cabtyre Cable Set (32') 60Hz(USA)	1	VCT4Cx3.5mm2	BE/CE	
2	140-021-17	Hex.Bolt	3	M5x20	SUS304	
3	142-422-18	Seal Washer	3	PM-5	SUS+NBR	
4	003-111-20	Gland	1		SUS304	
5	009-275-18	Compression type Terminal	4	TGNB-5.5(Insulated)	CU	
6	140-052-17	Hex.Bolt	2	M8x16	SUS304	
7	127-000-16	Protector Fixing Plate	1		SUS304	
8	121-000-23	Packing	1		NBR	*
9	053-000-31	Motor Protector 208/230V-60Hz(USA)	1	KA313-GDBL110	(T.C)	
	053-394-11	Motor Protector 460V-60Hz(USA)	1	KA313-GBXL102	(T.C)	
10	143-126-38	Pan Screw (w/Spring Washer/Plain Washer)	2	M4x12	SWRM	
11	072-100-20	Eye Bolt	2	M10	SUS304	
12	140-057-12	Hex.Bolt	3	M8x35	SUS304	
13	142-163-18	Spring Washer	3	M8	SUS304	
14	064-000-20	Motor Frame	1		FC	
15	009-212-17	Earth Terminal	1Set	2mm2x130L		
16	143-085-21	Pan Screw (w/Spring Washer)	1	M4x6	SWRM	
17	122-333-19	O-Ring	1	170xd3.1	NBR	*
18	142-196-10	Wave Washer	1	6205/6304	SK5	
19	052-188-17	Bearing (w/O-ring)	1	AC-6304ZC3		
20	058-000-04	Lead Wire Protection Plate	1	d66xd150x1.5t	Bakelite	
21	055-000-34	Rotor	1Set			
22	147-128-16	Impeller Key	1	5x5x18.5L	SUS403	
23	056-001-27	Stator 208/230V-60Hz(USA)	1Set			
	056-001-29	Stator 460V-60Hz(USA)	1Set			
24	140-000-06	Hex.Bolt (w/Spring Washer/Plain Washer)	3	M6x12	SWCH	
25	052-110-18	Bearing	1	6307ZC3		
26	071-336-11	Collar	1	41L	SECC	
27	060-000-18	Bearing Housing	1		FC	
28	035-113-18	Oil Plug	1	M12x14	SUS304	
29	121-247-12	Packing	1	d12.3xd18x2t	PE	*
30	140-098-15	Hex.Bolt	3	M12x35	SUS304	
31	142-165-10	Spring Washer	3	M12	SUS304	
32	025-193-11	Mechanical Seal	1	H-25	SiC	
33	143-070-23	Pan Screw	2	M5x6	SWRM	
34	030-143-12	Oil Lifter	1	H-25(A)(T)	Resin	
35	143-070-10	Pan Screw	2	M5x6	SWRM	
36	030-152-14	Seal Stopper	1	H-25(A)(T)	SPCC	

PARTS LIST		SEWER & WASTEWATER PUMPS			7/11/2016	
ITEM	PART No.	DESCRIPTION	QTY	SIZE	MATERIAL	NOTES
37	122-246-14	O-Ring	1	180xd3.1	NBR	*
38	140-078-19	Hex.Bolt	3	M10x35	SUS304	
39	029-266-18	Oil Casing	1	U-80-22/37	FC	
40	121-408-13	O-Ring	1	d153xd183x2t	NBR	*
41	026-109-13	Oil Seal	1	TC-355511	NBR	
42	021-008-91	Impeller (60Hz)	1	80U23.7-64	FC	
43	142-166-11	Spring Washer	1	M16	SUS304	
44	141-033-15	Hex.Cap Nut	1	M16	SUS304	
45	020-793-12	Pump Casing	1	U-80-22	FC	
46	140-130-36	Hex.Bolt	8	M16x70	SWRM	included in BEND80x80 kit (specify ANSI or NPT)
47	048-000-54	Screwed Flange	1	NPT-3(JIS10K)	FC	included in BEND80x80 kit (specify ANSI or NPT)
48	121-105-33	Packing	1	JIS10Kx80mm	NR	included in BEND80x80 kit (specify ANSI or NPT)
49	037-169-15	Discharge Bend	1	80x80mm	FC	included in BEND80x80 kit (specify ANSI or NPT)
50	142-166-37	Spring Washer	8	M16	SWRH	included in BEND80x80 kit (specify ANSI or NPT)
51	141-008-11	Hex.Nut	8	M16	SUS304	included in BEND80x80 kit (specify ANSI or NPT)
52	140-124-11	Hex.Bolt	4	M16x40	SUS304	included in BEND80x80 kit (specify ANSI or NPT)
53	121-152-19	Packing	1	145mm2(P.C.145)	NBR	* included in BEND80x80 kit (specify ANSI or NPT)
	173-000-72	Packing O-Ring Set	1Set	(Marked by *)		
8	121-000-23	Packing (Protector Fixing Plate)	1		NBR	*
17	122-333-19	O-Ring (M.Frame/Brg.Housing)	1	170xd3.1	NBR	*
29	121-247-12	Packing (Oil Plug)	1	d12.3xd18x2t	PE	*
37	122-246-14	O-Ring (Brg.Housing/O.Casing)	1	180xd3.1	NBR	*
40	121-408-13	Packing (O.Casing/P.Casing)	1	d153xd183x2t	NBR	*
53	121-152-19	Packing (Discharge Bend)	1	145mm2(P.C.145)	NBR	*
		Lubricant		Turbine Oil VG32 1,280ml		

PARTS LIST		SEWER & WASTEWATER PUMPS			7/11/2016	
ITEM	PART No.	DESCRIPTION	QTY	SIZE	MATERIAL	NOTES

EXPLODED VIEW

80U23.7-64



C-00636-1