

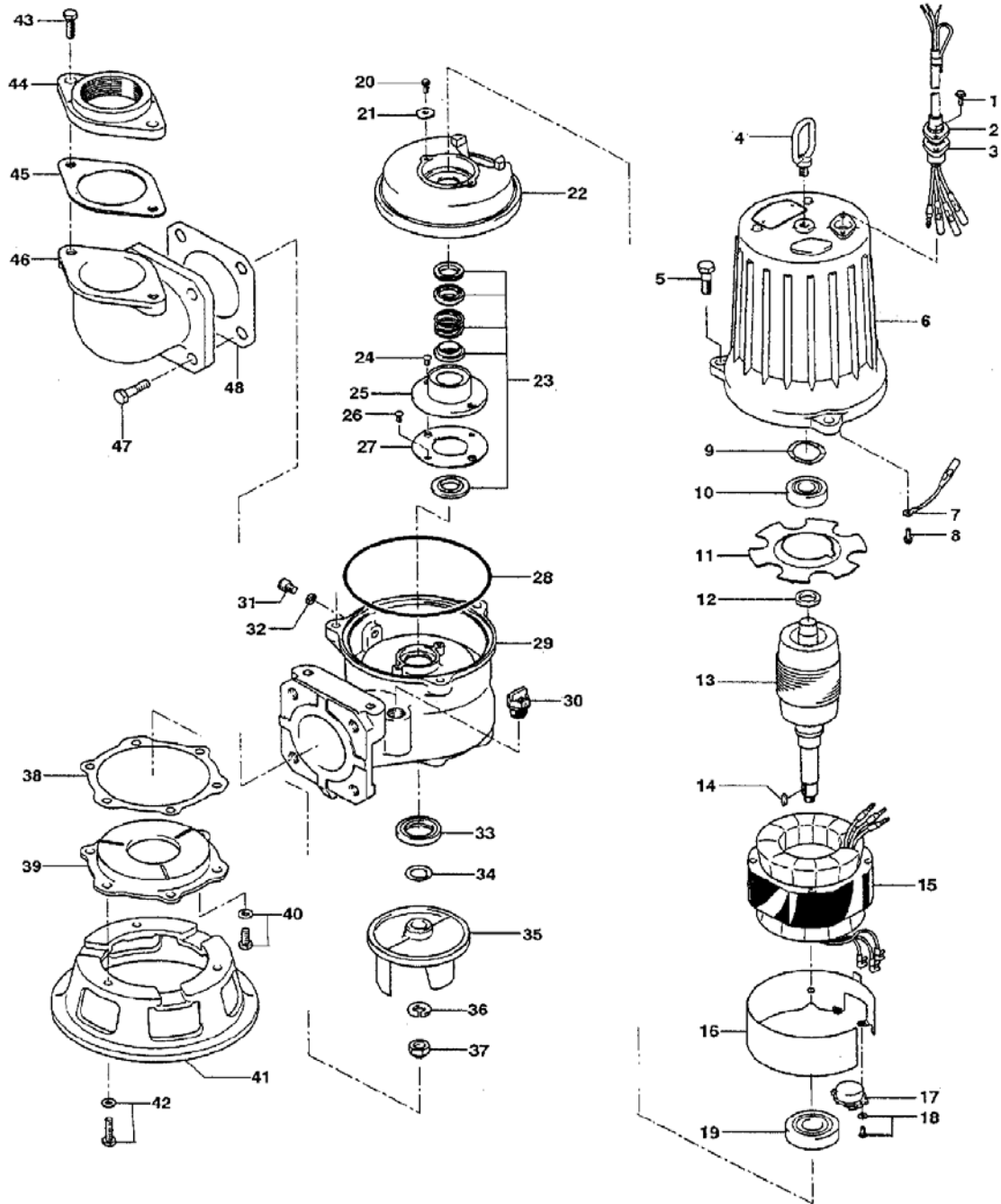
| PARTS LIST |            | SEWAGE & WASTEWATER PUMP                 |      |                   | 1/11/2017 |       |
|------------|------------|--|------|-------------------|-----------|-------|
| ITEM       | PART No.   | DESCRIPTION                              | QTY  | SIZE              | MATERIAL  | NOTES |
| 1          | 140-427-17 | Hex.Bolt (w/Plain Washer)                | 2    | M5x15             | SUS304    |       |
| 2          | 003-190-10 | Gland                                    | 1    |                   | SUS316    |       |
| 3          | 001-803-20 | Cabtyre Cable Set (32')                  | 1    | VCT4Cx1.25mm2     | LBT       |       |
| 4          | 072-000-03 | Eye Bolt                                 | 1    | M10               | SUS304    |       |
| 5          | 140-076-17 | Hex.Bolt                                 | 3    | M10x30            | SUS304    |       |
| 6          | 064-000-08 | Motor Frame                              | 1    |                   | FC        |       |
| 7          | 009-211-16 | Earth Terminal                           | 1Set | 1.25mm2x120L      |           |       |
| 8          | 143-085-34 | Pan Screw (w/Spring Washer)              | 1    | M4x6              | C3604     |       |
| 9          | 142-389-12 | Wave Washer                              | 1    | 6204              | SK5       |       |
| 10         | 052-187-16 | Bearing (w/O-ring)                       | 1    | AC-6204ZZC3       |           |       |
| 11         | 058-000-13 | Lead Wire Protection Plate               | 1    | d61xd132x2t       | Bakelite  |       |
| 12         | 061-174-18 | Slinger                                  | 1    | d20xd27x2t        | SPC       |       |
| 13         | 055-000-01 | Rotor                                    | 1Set |                   |           |       |
| 14         | 147-038-18 | Impeller Key                             | 1    | 5x5x15.5l         | SUS420    |       |
| 15         | 056-001-12 | Stator 220V-60Hz                         | 1Set |                   |           |       |
|            | 056-001-14 | Stator 380/460V-60Hz                     | 1Set |                   |           |       |
|            | 056-001-16 | Stator 575V-60Hz                         | 1Set |                   |           |       |
| 16         | 127-000-26 | Protector Fixing Plate                   | 1    | KA313,d145        | SPCC      |       |
| 17         | 053-000-01 | Motor Protector 220V-60Hz                | 1    | KA313-GBTL103     | (T.C)     |       |
|            | 053-000-10 | Motor Protector 380/460V-60Hz            | 1    | KA311-DPXL78      | (T.C)     |       |
|            | 053-000-11 | Motor Protector 575V-60Hz                | 1    | KA311-FPVL78      | (T.C)     |       |
| 18         | 143-126-12 | Pan Screw (w/Spring Washer/Plain Washer) | 2    | M4x12             | SWRM      |       |
| 19         | 052-108-13 | Bearing                                  | 1    | 6305ZZC3          |           |       |
| 20         | 140-000-23 | Hex.Bolt (w/Spring Washer)               | 2    | M5x10             | SWRM      |       |
| 21         | 062-187-17 | Bearing Fixing Washer                    | 2    | d5.5xd18x2.3t     | SPC       |       |
| 22         | 060-000-16 | Bearing Housing                          | 1    |                   | FC        |       |
| 23         | 025-252-19 | Mechanical Seal                          | 1    | H-20A             | SiC+CCBN  |       |
| 24         | 143-070-23 | Pan Screw                                | 2    | M5x6              | SWRM      |       |
| 25         | 030-144-13 | Oil Lifter                               | 1    | H-20(A)(T)        | Resin     |       |
| 26         | 143-070-10 | Pan Screw                                | 2    | M5x6              | SWRM      |       |
| 27         | 030-153-15 | Seal Stopper                             | 1    | H-20(A)           | SPCC      |       |
| 28         | 122-145-12 | O-Ring                                   | 1    | G-170(169.3xd5.7) | NBR       | *     |
| 29         | 020-001-44 | Pump Casing                              | 1    | 15-BE2            | FC        |       |
| 30         | 046-107-13 | Air Release Valve                        | 1    | PT-1/2            | Nylon     |       |
| 31         | 035-124-12 | Oil Plug                                 | 1    | M10x15            | SUS304    |       |
| 32         | 121-246-11 | Packing                                  | 1    | d10.3xd16x2t      | PE        | *     |
| 33         | 026-107-11 | Oil Seal                                 | 1    | TC-32488          | NBR       |       |
| 34         | 040-104-25 | Impeller Shim                            |      | d18.2xd29x0.3t    | SUS304    |       |

| PARTS LIST |            | SEWAGE & WASTEWATER PUMP   |      |                        | 1/11/2017 |             |
|------------|------------|----------------------------|------|------------------------|-----------|-------------|
| ITEM       | PART No.   | DESCRIPTION                | QTY  | SIZE                   | MATERIAL  | NOTES       |
| 35         | 021-758-21 | Impeller (50Hz) OPTION     | 1    | 80B21.5-52             | FC        | 50Hz OPTION |
|            | 021-759-22 | Impeller (60Hz)            | 1    | 80B21.5-62             | FC        |             |
| 36         | 142-165-10 | Spring Washer              | 1    | M12                    | SUS304    |             |
| 37         | 141-118-15 | Hex.Cap Nut                | 1    | M12(H=15.5)            | SUS304    |             |
| 38         | 120-146-17 | Packing (S.Cover)          |      | d136xd157x0.3t         | PE        |             |
| 39         | 022-572-19 | Suction Cover              | 1    | 15-BE2                 | FC        |             |
| 40         | 140-475-10 | Hex.Bolt (w/Spring Washer) | 3    | M8x16                  | SUS304    |             |
| 41         | 023-001-25 | Strainer Stand             | 1    | 80B/C21.5-52/62        | FC        |             |
| 42         | 140-488-16 | Hex.Bolt (w/Spring Washer) | 3    | M8x30                  | SUS304    |             |
| 43         | 140-099-16 | Hex.Bolt                   | 2    | M12x40                 | SUS304    |             |
| 44         | 048-137-18 | Screwed Flange             | 1    | 3" NPT (PC140)         | FC        |             |
|            | 048-136-17 | Screwed Flange             | 1    | 2" NPT (PC140)         | FC        | 2" OPTION   |
| 45         | 121-137-18 | Packing                    | 1    | MBT(P.C.140)           | NBR       | *           |
| 46         | 037-118-19 | Discharge Bend             | 1    | 80mm(123-17)           | FC        |             |
| 47         | 140-123-10 | Hex.Bolt                   | 4    | M16x35                 | SUS304    |             |
| 48         | 121-152-19 | Packing                    | 1    | 145mm2(P.C.145)        | NBR       | *           |
|            | 173-338-12 | <b>Packing O-Ring Set</b>  | 1Set | (Marked by *)          |           |             |
| 28         | 122-145-12 | O-Ring (M.Frame/P.Casing)  | 1    | G-170(169.3xd5.7)      | NBR       | *           |
| 32         | 121-246-11 | Packing (Oil Plug)         | 1    | d10.3xd16x2t           | PE        | *           |
| 45         | 121-137-18 | Packing (Screwed Flange)   | 1    | MBT(P.C.140)           | NBR       | *           |
| 48         | 121-152-19 | Packing (Discharge Bend)   | 1    | 145mm2(P.C.145)        | NBR       | *           |
|            |            | Lubricant                  |      | Turbine Oil VG32 900ml |           |             |

| PARTS LIST |          | SEWAGE & WASTEWATER PUMP |     |      |          | 1/11/2017 |
|------------|----------|--------------------------|-----|------|----------|-----------|
| ITEM       | PART No. | DESCRIPTION              | QTY | SIZE | MATERIAL | NOTES     |

## EXPLODED VIEW

80B21.5-52/62



C-00569-1