

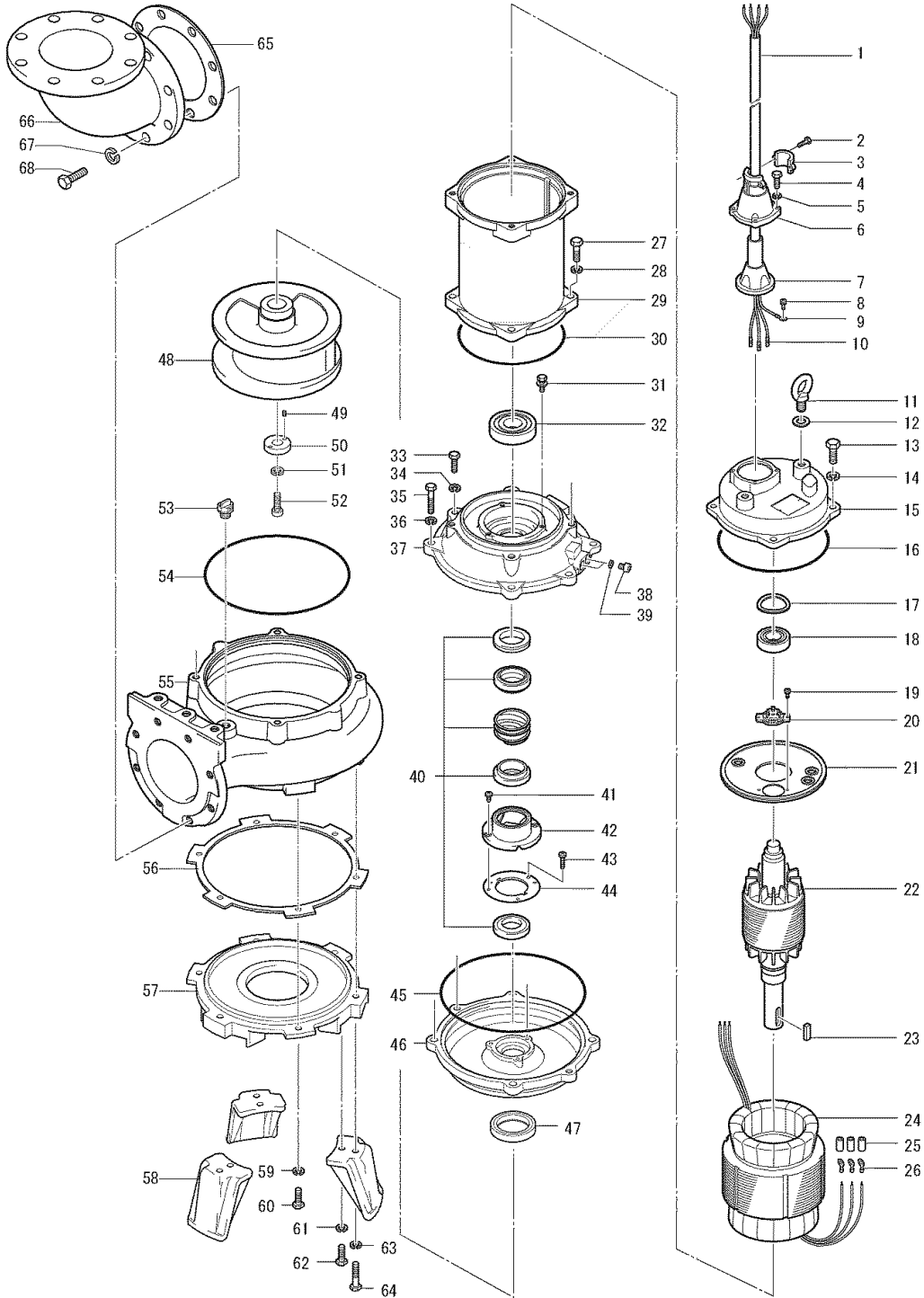
PARTS LIST		SEWAGE & WASTEWATER PUMP			7/18/2022	
ITEM	PART No.	DESCRIPTION	QTY	SIZE	MATERIAL	NOTES
1	001-938-25	Cabtyre Cable Set (32') 60Hz USA	1	2PNCT4Cx5.5mm2	KR-2	
2	140-035-14	Hex.Bolt	2	M6x20	SUS304	included in ITEM#1 Cable Ass'y
3	070-107-18	Cable Clamp	1		FC	included in ITEM#1 Cable Ass'y
4	140-056-11	Hex.Bolt	4	M8x30	SUS304	
5	142-163-18	Spring Washer	4	M8	SUS304	
6	006-126-14	Stuffing Box	1	No.2	FC	included in ITEM#1 Cable Ass'y
7	008-143-13	Mould Cover	1	KR2-8	CR	included in ITEM#1 Cable Ass'y
8	143-085-21	Pan Screw (w/Spring Washer)	1	M4x6	SWRM	
9	009-130-10	Terminal	1	R-5.5-4	CU	included in ITEM#1 Cable Ass'y
10	009-276-19	Compression type Terminal	3	TMNB-5.5(Insulated)		included in ITEM#1 Cable Ass'y
11	072-107-27	Eye Bolt	2	M16	SUS304	
12	142-399-15	Washer		d17xd29x0.1t	SUS304	
	142-400-10	Washer		d17xd29x0.3t	SUS304	
13	140-098-15	Hex.Bolt	4	M12x35	SUS304	
14	142-165-10	Spring Washer	4	M12	SUS304	
15	050-001-21	Motor Bracket	1		FC200	
16	122-173-19	O-Ring	1	V-225(222.5xd6)	NBR	*
17	142-198-12	Wave Washer	1	6306	SK5	
18	052-000-25	Bearing (w/O-ring)	1	AC-6306ZZC3		
19	143-126-25	Pan Screw (w/Spring Washer/Plain Washer)	2	M4x12	SWRM	
20	053-000-05	Motor Protector 220V-60Hz	1	KA314-HLBL00	(B.C)	
	053-192-17	Motor Protector 380/440/460V-60Hz	1	KA314-HKXL00	(B.C)	
21	058-000-09	Lead Wire Protection Plate	1	d86xd224x1.6t	SPHC	
22	055-000-10	Rotor	1Set			
23	147-000-13	Impeller Key	1	12x8x40L	SUS420	
24	056-059-81	Stator 220V-60Hz	1Set			
	056-000-02	Stator 380/440/460V-60Hz	1Set			
25	002-000-02	Protection Tube	m	NFG-1A,d7	(Vm)	
26	009-000-31	Terminal	3	R-5.5-S4	CU	
27	140-100-11	Hex.Bolt	4	M12x45	SUS304	
28	142-165-10	Spring Washer	4	M12	SUS304	
29	064-000-71	Motor Frame	1		FC200	
30	122-173-19	O-Ring	1	V-225(222.5xd6)	NBR	*
31	140-000-06	Hex.Bolt (w/Spring Washer/Plain Washer)	3	M6x12	SWCH	
32	052-001-09	Bearing	1	6310ZZC3(SRL)		
33	140-099-16	Hex.Bolt	2	M12x40	SUS304	
34	142-165-10	Spring Washer	2	M12	SUS304	
35	140-104-15	Hex.Bolt	4	M12x65	SUS304	
36	142-165-10	Spring Washer	4	M12	SUS304	
37	060-000-06	Bearing Housing	1		FC	

PARTS LIST		SEWAGE & WASTEWATER PUMP			7/18/2022	
ITEM	PART No.	DESCRIPTION	QTY	SIZE	MATERIAL	NOTES
38	035-113-18	Oil Plug	2	M12x14	SUS304	
39	121-247-12	Packing	2	d12.3xd18x2t	Polyethylene	*
40	025-001-13	Mechanical Seal	1	H-40X(ROHS)(E)	SIC	
41	143-070-23	Pan Screw	2	M5x6	SWRM	
42	030-141-10	Oil Lifter	1	H-40(T)	Resin	
43	143-070-10	Pan Screw	3	M5x6	SWRM	
44	030-149-18	Seal Stopper	1	H-40/45	SPCC	
45	122-159-19	O-Ring	1	G-280(279.3xd5.7)	NBR	*
46	029-000-24	Oil Casing	1	150B47.5H-53/63	FC	
47	026-117-14	Oil Seal	1	TC-709212	NBR	
48	021-004-43	Impeller (60Hz)	1	150B47.5H-64	FC	
	021-004-42	Impeller (50Hz) OPTION	1	150B47.5H-54	FC	50Hz OPTION
49	144-530-16	Hex.Socket Set Screw	2	M6x15	SUS304	
50	142-202-10	Impeller Fixing Washer	1	d13xd50x15t	SUS304	
51	142-000-22	Spring Washer	1	M12(CP)	SUS304	
52	140-304-17	Hex.Socket Cap Bolt	1	M12x45	SUS304	
53	046-107-13	Air Release Valve	1	PT-1/2	Nylon	
54	122-159-19	O-Ring	1	G-280(279.3xd5.7)	NBR	*
55	020-647-10	Pump Casing	1	150-7.5-4BH	FC	
56	120-102-11	Packing (S.Cover)		d301xd328x0.3t	Polyethylene	
57	022-000-73	Suction Cover	1	150B47.5H-53/63	FC	
58	023-288-18	Pump Stand	3	55/110-CE2	FC	
59	142-165-10	Spring Washer	3	M12	SUS304	
60	140-097-14	Hex.Bolt	3	M12x30	SUS304	
61	142-165-10	Spring Washer	3	M12	SUS304	
62	140-097-14	Hex.Bolt	3	M12x30	SUS304	
63	142-165-10	Spring Washer	3	M12	SUS304	
64	140-105-16	Hex.Bolt	3	M12x70	SUS304	
65	121-165-28	Packing	1	JIS5Kx150mm	NR	
66	037-119-10	Discharge Bend	1	150x150mm	FC	
67	142-166-11	Spring Washer	8	M16	SUS304	
68	140-127-14	Hex.Bolt	8	M16x55	SUS304	
	173-001-16	Packing O-Ring Set	1Set	(Marked by *)		
16	122-173-19	O-Ring (M.Bracket/M.Frame)	1	V-225(222.5xd6)	NBR	*
30	122-173-19	O-Ring (M.Frame/Brg.Housing)	1	V-225(222.5xd6)	NBR	*
39	121-247-12	Packing (Oil Plug)	2	d12.3xd18x2t	Polyethylene	*
45	122-159-19	O-Ring (Brg.Housing/O.Casing)	1	G-280(279.3xd5.7)	NBR	*
54	122-159-19	O-Ring (O.Casing/P.Casing)	1	G-280(279.3xd5.7)	NBR	*
--		Lubricant		Turbine Oil VG32 4,200ml		

PARTS LIST		SEWAGE & WASTEWATER PUMP			7/18/2022	
ITEM	PART No.	DESCRIPTION	QTY	SIZE	MATERIAL	NOTES

分解組立図

100B47.5H-54/64



管理no. C-001625-1