

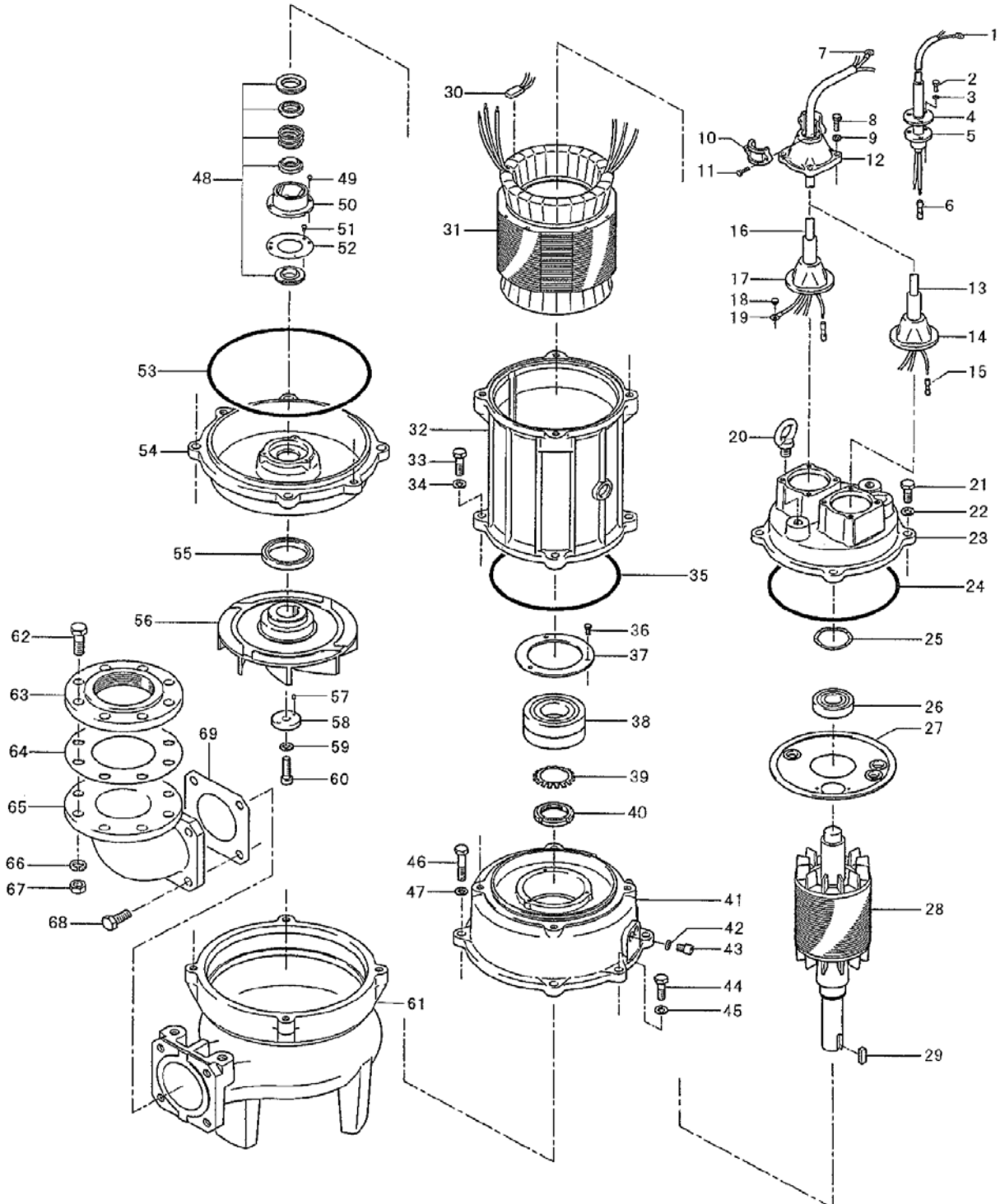
| PARTS LIST | | SEWAGE & WASTEWATER PUMP | | | 10/27/2017 | |
|------------|------------|------------------------------------|------|----------------------|------------|--|
| ITEM | PART No. | DESCRIPTION | QTY | SIZE | MATERIAL | NOTES |
| 1 | 009-127-14 | Terminal | 2 | R-1.25-4 | CU | |
| 2 | 140-018-11 | Hex.Bolt | 3 | M5x15 | SUS304 | |
| 3 | 142-422-18 | Seal Washer | 3 | PM-5 | SUS+NBR | |
| 4 | 003-111-20 | Gland | 1 | | SUS304 | |
| 5 | 001-005-66 | Cabtyre Cable Set (32') 60Hz(USA) | 1 | 2PNCT2C x 1.25mm2 | BE/CE | |
| 6 | 009-274-17 | Compression type Terminal | 2 | TMNB-2 (Insulated) | | |
| 7 | 009-131-11 | Terminal | 7 | R-5.5-6 | CU | |
| 8 | 140-055-10 | Hex.Bolt | 8 | M8x25 | SUS304 | |
| 9 | 142-163-18 | Spring Washer | 8 | M8 | SUS304 | |
| 10 | 070-107-18 | Cable Clamp | 2 | | FC | included in ITEM# 13 Cable Ass'y |
| 11 | 140-035-14 | Hex.Bolt | 4 | M6x20 | SUS304 | included in ITEM# 16 Cable Ass'y |
| 12 | 006-126-14 | Stuffing Box | 2 | No.2 | FC | included in ITEM# 13 Cable Ass'y included in ITEM# 16 Cable Ass'y |
| 13 | 001-937-24 | Cabtyre Cable Set (32') 60Hz(USA) | 1 | 2PNCT3C x 3.5mm2 | KR-2 | |
| 14 | 008-154-17 | Mould Cover 60Hz(USA) | 1 | KR2-10 | CR | included in ITEM# 13 Cable Ass'y |
| 15 | 009-275-18 | Compression type Terminal | 6 | TGNB-5.5 (Insulated) | CU | included in ITEM# 16 Cable Ass'y |
| 16 | 001-936-23 | Cabtyre Cable Set (32') 60Hz (USA) | 1 | 2PNCT4C x 3.5mm2 | KR-2 | |
| 17 | 008-142-12 | Mould Cover 60Hz (USA) | 1 | KR2-7 | CR | included in ITEM# 16 Cable Ass'y |
| 18 | 143-085-21 | Pan Screw (w/Spring Washer) | 1 | M4x6 | SWRM | |
| 19 | 009-143-16 | Terminal | 1 | R-3.5-5S | CU | included in ITEM# 16 Cable Ass'y |
| 20 | 072-107-14 | Eye Bolt | 2 | M16 | SS | can substitute 072-107-27 (SUS304) |
| | 142-399-15 | Washer | | d17xd29x0.1t | SUS304 | |
| | 142-400-10 | Washer | | d17xd29x0.3t | SUS304 | |
| 21 | 140-098-15 | Hex.Bolt | 4 | M12x35 | SUS304 | |
| 22 | 142-165-10 | Spring Washer | 4 | M12 | SUS304 | |
| 23 | 050-000-80 | Motor Bracket | 1 | | FC | |
| 24 | 122-173-19 | O-Ring | 1 | V-225(222.5xd6) | NBR | * |
| 25 | 142-000-08 | Wave Washer | 1 | 6306B(d71xd59x4.0t) | SK5 | |
| 26 | 052-000-25 | Bearing (w/O-ring) | 1 | AC-6306ZC3 | | |
| 27 | 058-000-09 | Lead Wire Protection Plate | 1 | d86xd224x1.6t | SPHC | |
| 28 | 055-000-69 | Rotor | 1Set | | | |
| 29 | 147-011-15 | Impeller Key | 1 | 12x8x40 | SUS420 | |
| 30 | 053-310-13 | Motor Protector | 3 | 9700K-76-215 | (H) | |
| 31 | 056-B91-15 | Stator 208/230V-60Hz(USA) | 1Set | | | |
| 31 | 056-B92-16 | Stator 460V-60Hz(USA) | 1Set | | | |
| 32 | 064-000-12 | Motor Frame | 1 | | FC | |
| 33 | 140-100-11 | Hex.Bolt | 4 | M12x45 | SUS304 | |
| 34 | 142-165-10 | Spring Washer | 4 | M12 | SUS304 | |
| 35 | 122-173-19 | O-Ring | 1 | V-225(222.5xd6) | NBR | * |
| 36 | 140-032-37 | Hex.Bolt | 3 | M6x15 | SWRM | |
| 37 | 062-224-17 | Bearing Fixing Plate | 1 | d98xd140x4.5t | SS | |

| PARTS LIST | | SEWAGE & WASTEWATER PUMP | | | 10/27/2017 | |
|------------|------------|-------------------------------|------|--------------------------|------------|---|
| ITEM | PART No. | DESCRIPTION | QTY | SIZE | MATERIAL | NOTES |
| 38 | 052-141-18 | Bearing | 1Set | 6310ZZD2C3 | | |
| 39 | 142-000-09 | Bearing Washer | 1 | 50x61x74x1.2t | SUS | |
| 40 | 141-000-03 | Bearing Nut | 1 | 70x2.5x11 | SUS304 | |
| 41 | 060-431-13 | Bearing Housing | 1 | | FC | |
| 42 | 121-247-12 | Packing | 2 | d12.3xd18x2t | PE | * |
| 43 | 035-113-18 | Oil Plug | 2 | M12x14 | SUS304 | |
| 44 | 140-099-16 | Hex.Bolt | 2 | M12x40 | SUS304 | |
| 45 | 142-165-10 | Spring Washer | 2 | M12 | SUS304 | |
| 46 | 140-104-15 | Hex.Bolt | 4 | M12x65 | SUS304 | |
| 47 | 142-165-10 | Spring Washer | 4 | M12 | SUS304 | |
| 48 | 025-000-61 | Mechanical Seal | 1 | H-40X(E) | SiC | interchangable with OLD part# 025-000-38 |
| 49 | 143-070-23 | Pan Screw | 2 | M5x6 | SWRM | |
| 50 | 030-141-10 | Oil Lifter | 1 | H-40(T) | Resin | |
| 51 | 143-070-10 | Pan Screw | 3 | M5x6 | SWRM | |
| 52 | 030-149-18 | Seal Stopper | 1 | H-40/45 | SPCC | |
| 53 | 122-159-19 | O-Ring | 1 | G-280(279.3xd5.7) | NBR | * |
| 54 | 029-191-11 | Oil Casing | 1 | 110-CE2 | FC | |
| 55 | 026-117-14 | Oil Seal | 1 | TC-709212 | NBR | |
| 56 | 021M6916 | Impeller (60Hz) | 1 | 100UZ411-64 | FC | |
| 57 | 144-293-27 | Hex.Socket Set Screw | 2 | M6x12 | SUS304 | |
| 58 | 142-202-10 | Impeller Fixing Washer | 1 | d13xd50x15t | SUS304 | |
| 59 | 142-000-22 | Spring Washer | 1 | M12(CP) | SUS304 | |
| 60 | 140-303-16 | Hex.Socket Cap Bolt | 1 | M12x40 | SUS304 | |
| 61 | 020-002-41 | Pump Casing | 1 | 100US411-50/60 | FC | interchangable with OLD part# 020-A41-18 |
| 62 | 140-000-56 | Hex.Bolt | 8 | M16x75 | SWRM | included in BEND100x100 kit (specify ANSI or NPT) |
| 63 | 048-139-10 | Screwed Flange | 1 | NPT-4(JIS10K) | FC | included in BEND100x100 kit (specify ANSI or NPT) |
| 64 | 121-106-34 | Packing | 1 | JIS10Kx100mm | NR | included in BEND100x100 kit (specify ANSI or NPT) |
| 65 | 037-000-32 | Discharge Bend | 1 | 100x100mm(S-4) | FC | included in BEND100x100 kit (specify ANSI or NPT) |
| 66 | 142-166-37 | Spring Washer | 8 | M16 | SWRH | included in BEND100x100 kit (specify ANSI or NPT) |
| 67 | 141-008-11 | Hex.Nut | 8 | M16 | SUS304 | included in BEND100x100 kit (specify ANSI or NPT) |
| 68 | 140-124-11 | Hex.Bolt | 4 | M16x40 | SUS304 | included in BEND100x100 kit (specify ANSI or NPT) |
| 69 | 121-153-10 | Packing | 1 | 160mm2(P.C.165) | NBR | * included in BEND100x100 kit (specify ANSI or NPT) |
| | 173-002-60 | Packing O-Ring Set | 1Set | (Marked by *) | | |
| 24 | 122-173-19 | O-Ring (M.Bracket/M.Frame) | 1 | V-225(222.5xd6) | NBR | * |
| 35 | 122-173-19 | O-Ring (M.Frame/Brg.Housing) | 1 | V-225(222.5xd6) | NBR | * |
| 42 | 121-247-12 | Packing (Oil Plug) | 2 | d12.3xd18x2t | PE | * |
| 53 | 122-159-19 | O-Ring (Brg.Housing/O.Casing) | 1 | G-280(279.3xd5.7) | NBR | * |
| 69 | 121-153-10 | Packing (Discharge Bend) | 1 | 160mm2(P.C.165) | NBR | * |
| | | Lubricant | | Turbine Oil VG32 6,500ml | | |

| PARTS LIST | | SEWAGE & WASTEWATER PUMP | | | | 10/27/2017 |
|------------|----------|--------------------------|-----|------|----------|------------|
| ITEM | PART No. | DESCRIPTION | QTY | SIZE | MATERIAL | NOTES |

EXPLODED VIEW

100UZ411-54/64



C-01264-1