

| PARTS LIST | | NON-CLOG SEWAGE PUMP | | | 4/9/2018 | |
|------------|------------|------------------------------------|------|---------------|----------|--------------------------------|
| ITEM | PART No. | DESCRIPTION | QTY | SIZE | MATERIAL | NOTES |
| 1 | 001-148-33 | Cable Set (32') 60Hz(USA) | 1 | VCT4Cx1.25mm2 | BE/CE | |
| 2 | 140-021-17 | Hex.Bolt | 3 | M5x20 | SUS304 | |
| 3 | 142-422-18 | Seal Washer | 3 | PM-5 | SUS+NBR | |
| 4 | 003-111-20 | Gland | 1 | | SUS304 | included in ITEM#1 Cable Ass'y |
| 5 | 009-119-13 | Terminal | 4 | CE-2 | CU | |
| 6 | 140-052-17 | Hex.Bolt | 2 | M8x16 | SUS304 | |
| 7 | 127-107-17 | Protector Fixing Plate | 1 | 22/37-BE2 | SUS304 | replaces OLD part# 127-195-12 |
| 8 | 121-446-13 | Packing | 1 | 22/37-BE2 | NBR | * |
| 9 | 053-240-11 | Motor Protector 208/230V-60Hz(USA) | 1 | KA313-GGXL103 | (T.C) | |
| | 053-421-18 | Motor Protector 460V-60Hz(USA) | 1 | KA313-GQXL102 | (T.C) | |
| 10 | 142-111-24 | Plain Washer | 2 | M4(D=8) | SPC | |
| 11 | 143-015-17 | Pan Screw | 2 | M4x10 | SWRM | |
| 12 | 072-100-20 | Eye Bolt | 2 | M10 | SUS304 | |
| 13 | 140-055-10 | Hex.Bolt | 3 | M8x25 | SUS304 | |
| 14 | 142-163-18 | Spring Washer | 3 | M8 | SUS304 | |
| 15 | 064-509-15 | Motor Frame | 1 | | FC | |
| 16 | 122-333-19 | O-Ring | 1 | 170xd3.1 | NBR | * |
| 17 | 142-196-10 | Wave Washer | 1 | 6205/6304 | SK5 | |
| 18 | 052-188-17 | Bearing (w/O-ring) | 1 | AC-6304ZZC3 | | |
| 19 | 058-000-46 | Lead Wire Protection Plate | 1 | d66xd148x1.6t | Bakelite | |
| 20 | 141-004-59 | Hex.Nut | 1 | M6 | SWRM | |
| 21 | 009-159-15 | Terminal | 1 | R-2-6 | CU | |
| 22 | 129-004-19 | Stopper | 1 | M6x160(20/66) | SS | |
| 23 | 056-595-13 | Stator 208/230V-60Hz(USA) | 1Set | | | |
| | | Stator 460V-60Hz(USA) | 1Set | | | |
| 24 | 055-790-17 | Rotor | 1Set | | | |
| 25 | 147-081-16 | Impeller Key | 1 | 7x7x22L | SUS420 | |
| 26 | 143-042-13 | Pan Screw | 3 | M6x10 | SWRM | |
| 27 | 062-196-19 | Bearing Fixing Washer | 3 | d8xd20.5x2.3t | SS | |
| 28 | 052-110-18 | Bearing | 1 | 6307ZZC3 | | |
| 29 | 146-022-16 | Retaining Ring | 1 | C35 | SK5 | |
| 30 | 140-098-15 | Hex.Bolt | 3 | M12x35 | SUS304 | |
| 31 | 142-165-10 | Spring Washer | 3 | M12 | SUS304 | |
| 32 | 060-373-16 | Bearing Housing | 1 | | FC | |
| 33 | 121-247-12 | Packing | 1 | d12.3xd18x2t | PE | * |
| 34 | 035-113-18 | Oil Plug | 1 | M12x14 | SUS304 | |
| 35 | 025-194-12 | Mechanical Seal | 1 | H-30 | SiC | |
| 36 | 143-070-23 | Pan Screw | 2 | M5x6 | SWRM | |

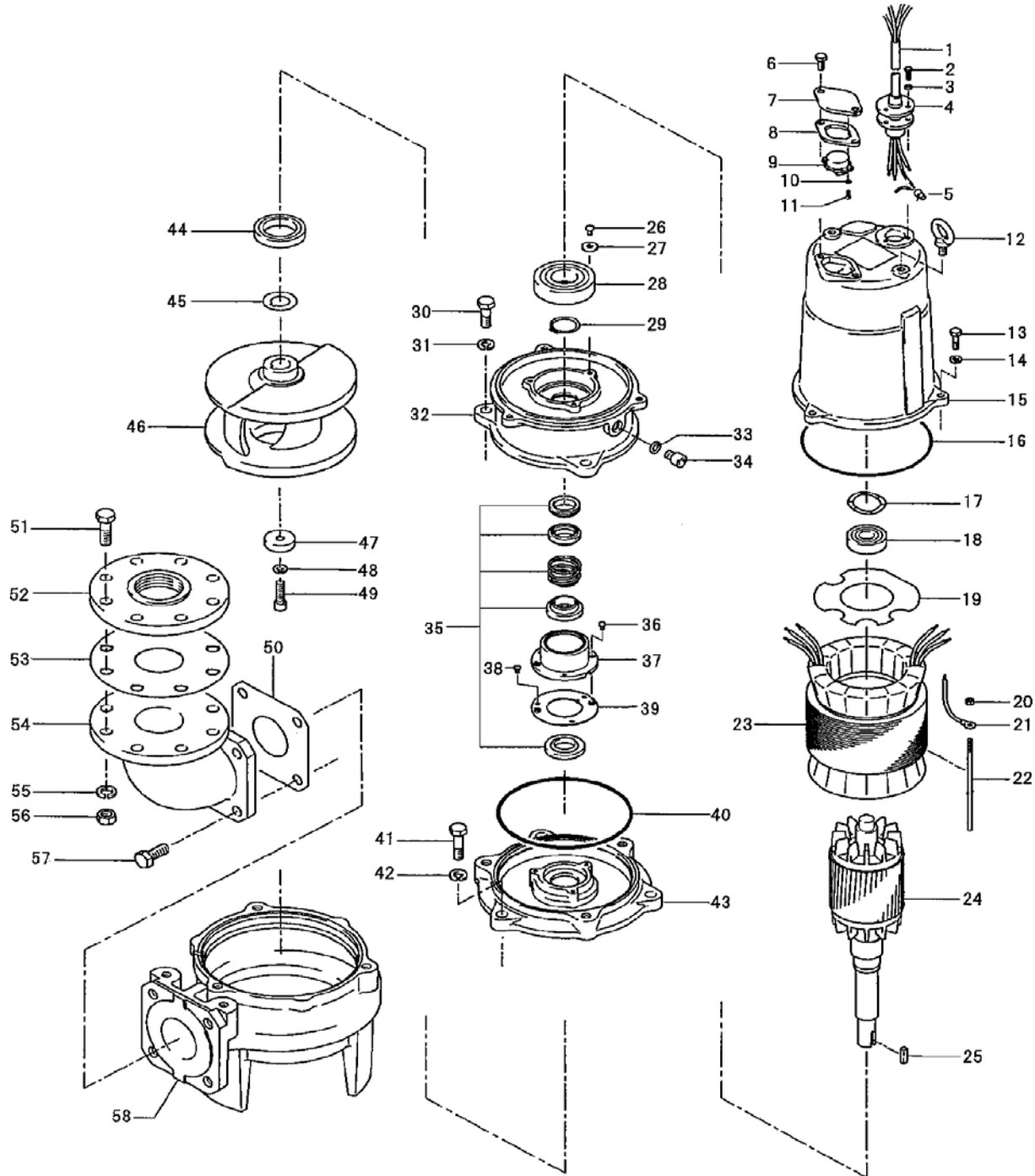
* Indicates items included in set

| PARTS LIST | | NON-CLOG SEWAGE PUMP | | | 4/9/2018 | |
|------------|------------|----------------------------------|------|--------------------------|----------|--|
| ITEM | PART No. | DESCRIPTION | QTY | SIZE | MATERIAL | NOTES |
| 37 | 030-142-11 | Oil Lifter | 1 | H-30(A)(T) | Resin | |
| 38 | 143-070-10 | Pan Screw | 3 | M5x6 | SWRM | |
| 39 | 030-151-13 | Seal Stopper | 1 | H-30(A)(T) | SPCC | |
| 40 | 122-246-14 | O-Ring | 1 | 180xd3.1 | NBR | * |
| 41 | 140-098-15 | Hex.Bolt | 3 | M12x35 | SUS304 | |
| 42 | 142-165-10 | Spring Washer | 3 | M12 | SUS304 | |
| 43 | 029-356-16 | Oil Casing | 1 | 80UR42.2 | FC | |
| 44 | 026-111-18 | Oil Seal | 1 | TC-456812 | NBR | |
| 45 | 040-107-28 | Impeller Shim | | d25.2xd38x0.3t | SUS304 | |
| 46 | 021-007-67 | Impeller (60Hz) | 1 | 100BZ41.5-62 | FC | |
| 47 | 142-301-10 | Impeller Washer | 1 | M10 | SUS304 | |
| 48 | 142-000-21 | Spring Washer | 1 | M10(CP) | SUS304 | |
| 49 | 140-284-10 | Hex.Socket Cap Bolt | 1 | M10x20 | SUS304 | |
| 50 | 121-152-19 | Packing | 1 | 145mm2(P.C.145) | NBR | * included in BEND80x100 kit (specify ANSI or NPT) |
| 51 | 140-000-56 | Hex.Bolt | 8 | M16x75 | SWRM | included in BEND80x100 kit (specify ANSI or NPT) |
| 52 | 048-139-10 | Screwed Flange | 1 | NPT-4(JIS10K) | FC | included in BEND80x100 kit (specify ANSI or NPT) |
| 53 | 121-106-34 | Packing | 1 | JIS10Kx100mm | NR | included in BEND80x100 kit (specify ANSI or NPT) |
| 54 | 037-170-19 | Discharge Bend | 1 | 80x100mm | FC | included in BEND80x100 kit (specify ANSI or NPT) |
| 55 | 142-166-37 | Spring Washer | 8 | M16 | SWRH | included in BEND80x100 kit (specify ANSI or NPT) |
| 56 | 141-008-11 | Hex.Nut | 8 | M16 | SUS304 | included in BEND80x100 kit (specify ANSI or NPT) |
| 57 | 140-124-11 | Hex.Bolt | 4 | M16x40 | SUS304 | included in BEND80x100 kit (specify ANSI or NPT) |
| 58 | 020A4424 | Pump Casing | 1 | 80BUL41.5/42.2-50/60 | FC | |
| | 173-554-16 | Packing O-Ring Set | 1Set | (Marked by *) | | |
| 8 | 121-446-13 | Packing (Protector Fixing Plate) | 1 | 22/37-BE2 | NBR | * |
| 16 | 122-333-19 | O-Ring (M.Frame/Brq.Housing) | 1 | 170xd3.1 | NBR | * |
| 33 | 121-247-12 | Packing (Oil Plug) | 1 | d12.3xd18x2t | PE | * |
| 40 | 122-246-14 | O-Ring (Brq.Housing/P.Casing) | 1 | 180xd3.1 | NBR | * |
| 50 | 121-152-19 | Packing (Discharge Bend) | 1 | 145mm2(P.C.145) | NBR | * |
| | | Lubricant | | Turbine Oil VG32 1,300ml | | |

| PARTS LIST | | NON-CLOG SEWAGE PUMP | | | | 4/9/2018 |
|------------|----------|----------------------|-----|------|----------|----------|
| ITEM | PART No. | DESCRIPTION | QTY | SIZE | MATERIAL | NOTES |

EXPLODED VIEW

100BZ41.5-62



C-00280-1