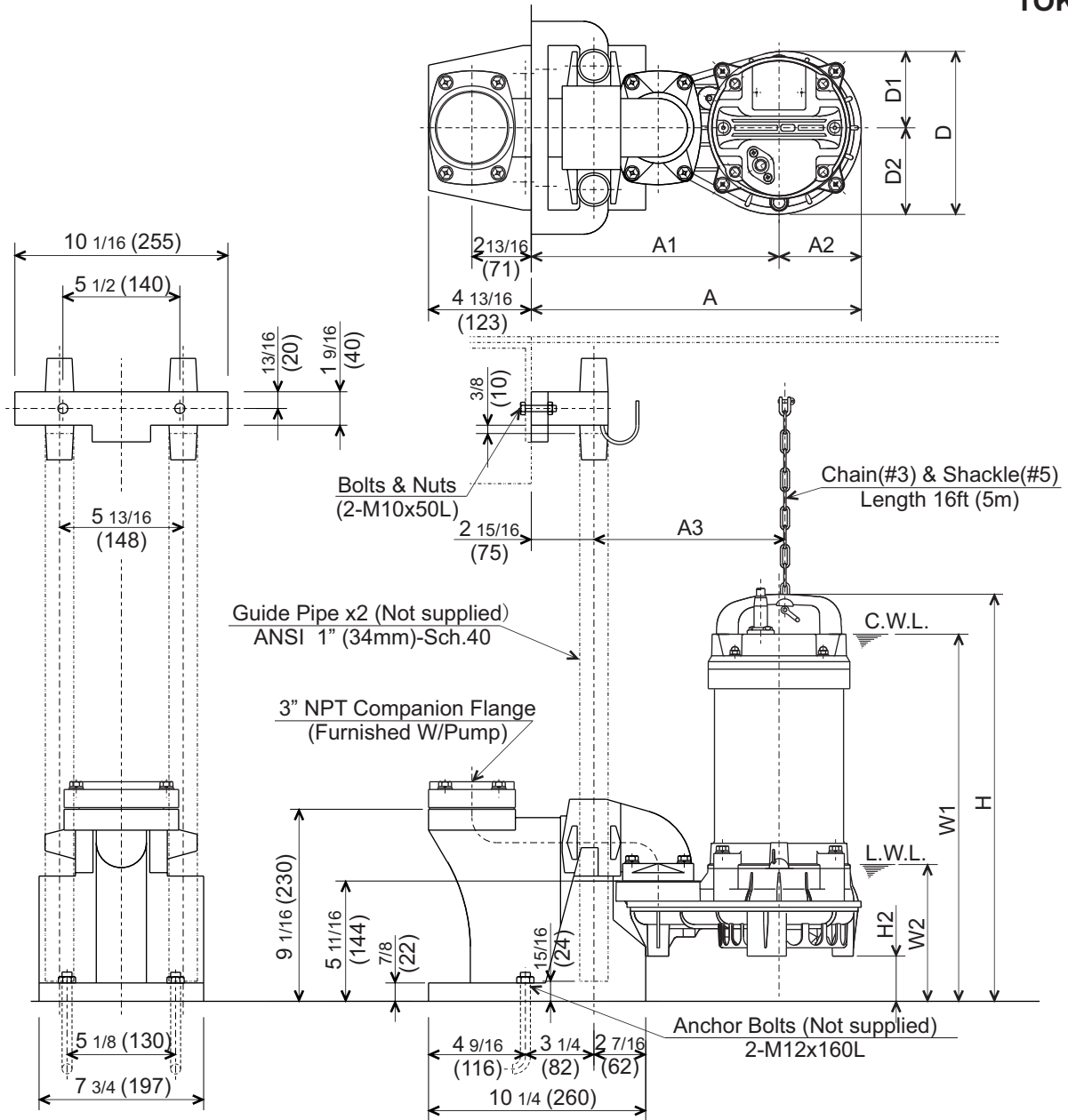




**VANCS-SERIES - PN**  
**(FRP) SEMI-VORTEX - WASTEWATER PUMPS**

**DIMENSIONS**

**TOK80PN21.5**  
**(Slide Rail System TOK2-65)**



C.W.L. : Continuous running Water Level  
L.W.L. : Lowest running Water Level

**DIMENSIONS:USCS (Inch)**

Model	HP	NOM. SIZE	Pump & Motor									C.W.L. W1	L.W.L. W2	Wt. (lbs.)
			A	A1	A2	A3	D	D1	D2	H	H2			
TOK80PN21.5	2	3"	15 9/16	11 11/16	3 7/8	9 1/16	7 11/16	3 5/8	4 1/8	19 1/4	2 1/8	17 3/8	6 1/2	34.8

**DIMENSIONS:METRIC (mm)**

Model	kW	NOM. SIZE	Pump & Motor									C.W.L. W1	L.W.L. W2	Wt. (kg)
			A	A1	A2	A3	D	D1	D2	H	H2			
TOK80PN21.5	1.5	80	396	297	99	231	196	92	104	489	54	441	164	15.8