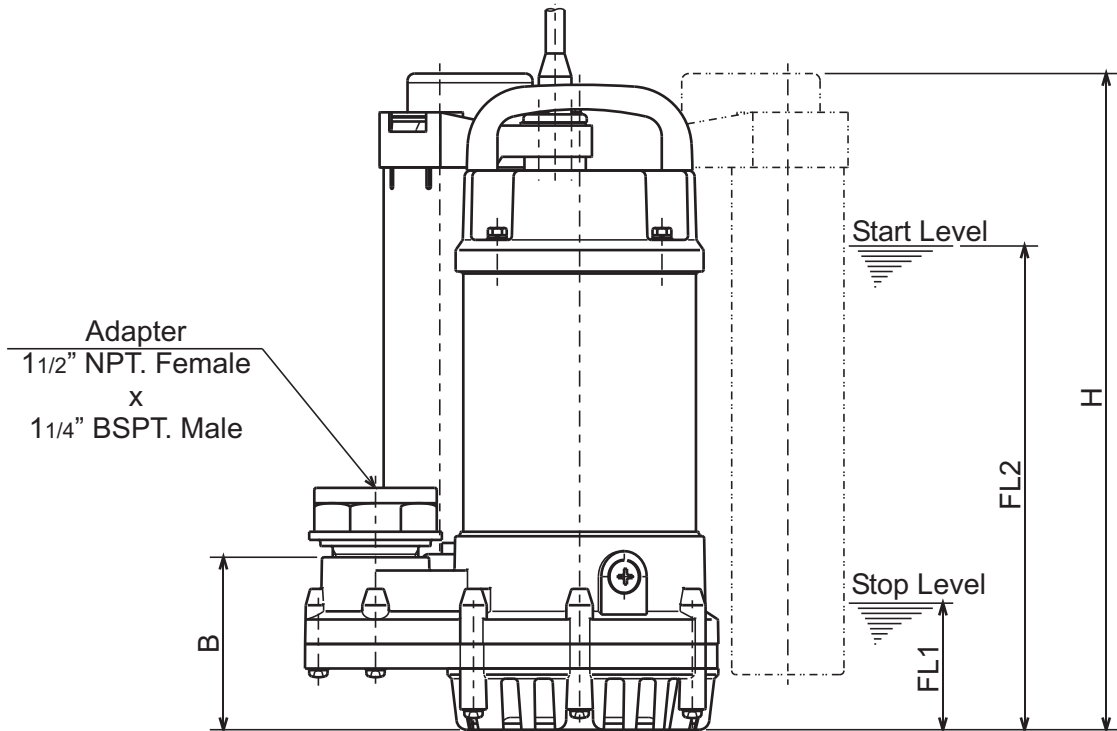
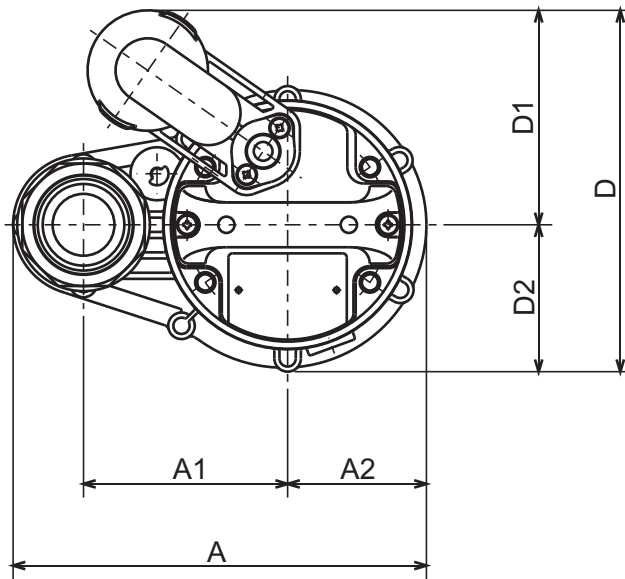




OM-SERIES
(FRP) SEMI-VORTEX - SUMP PUMPS

DIMENSIONS

OMA4



DIMENSIONS:USCS (Inch)

Model	HP	NOM. SIZE	Pump & Motor								Stop FL1	Start FL2	Wt. (lbs.)
			A	A1	A2	B	D	D1	D2	H			
OMA4	1/5	1 1/2"	8	3 15/16	2 11/16	3 3/8	7	4 1/8	2 13/16	12 11/16	2 3/4	9 1/4	13.5

DIMENSIONS:METRIC (mm)

Model	kW	NOM. SIZE	Pump & Motor								Stop FL1	Start FL2	Wt. (kg)
			A	A1	A2	B	D	D1	D2	H			
OMA4	0.15	40	203	100	68	85	177	105	72	322	70	235	6.1