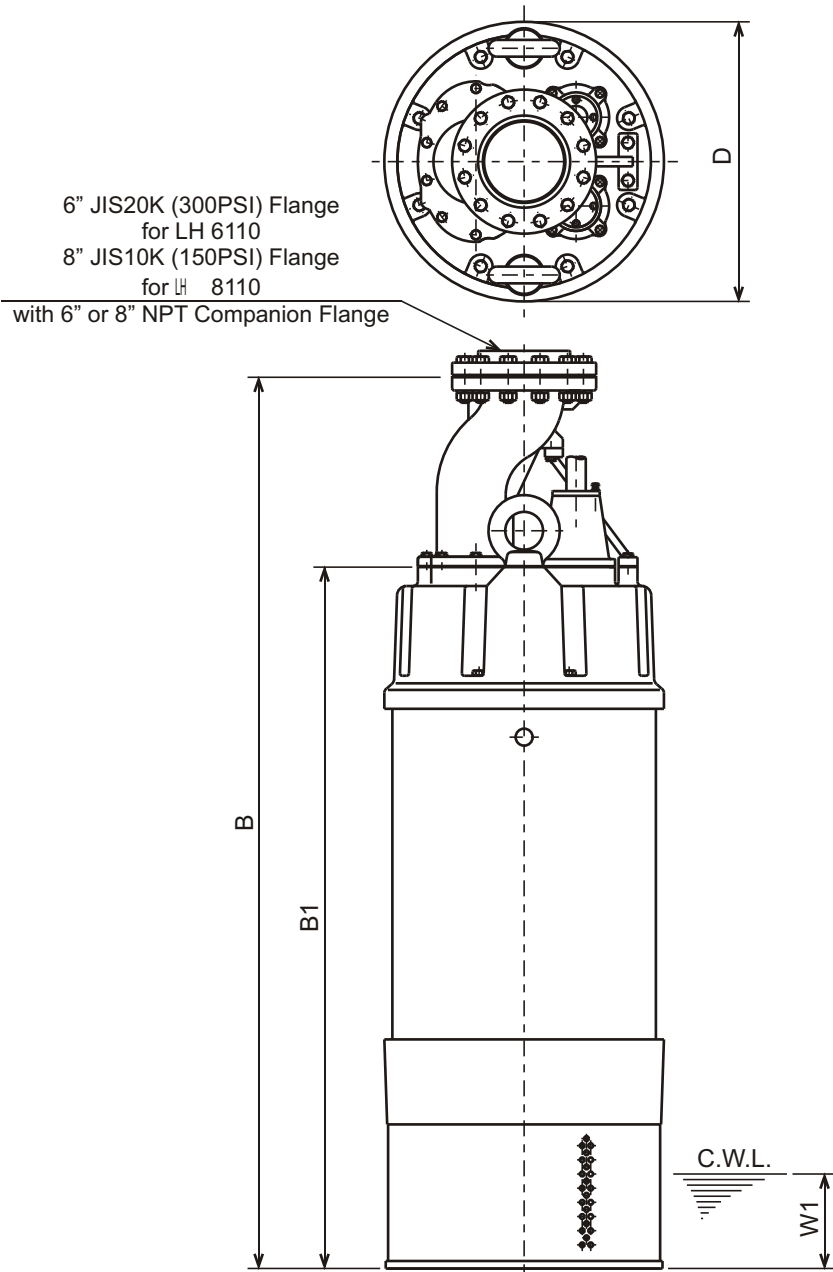




**LH - SERIES
DEWATERING PUMPS**

DIMENSIONS

**LH6110-69
LH8110-69**



6" JIS20K (300PSI) Flange
for LH 6110
8" JIS10K (150PSI) Flange
for LH 8110
with 6" or 8" NPT Companion Flange

C.W.L. : Continuous running Water Level

DIMENSIONS:USCS (Inch)

Model	HP	NOM. SIZE	Pump & Motor			C.W.L.	Wt. (lbs.)
			B	B1	D	W1	
LH6110-69	150	6"	74 5/16	58 7/16	23 5/16	7 7/8	2850
LH8110-69	150	8"	74 5/16	58 7/16	23 5/16	7 7/8	2960

DIMENSIONS:METRIC (mm)

Model	kW	NOM. SIZE	Pump & Motor			C.W.L.	Wt. (kg)
			B	B1	D	W1	
LH6110-69	110	150	1887	1485	592	200	1295
LH8110-69	110	200	1887	1485	592	200	1345