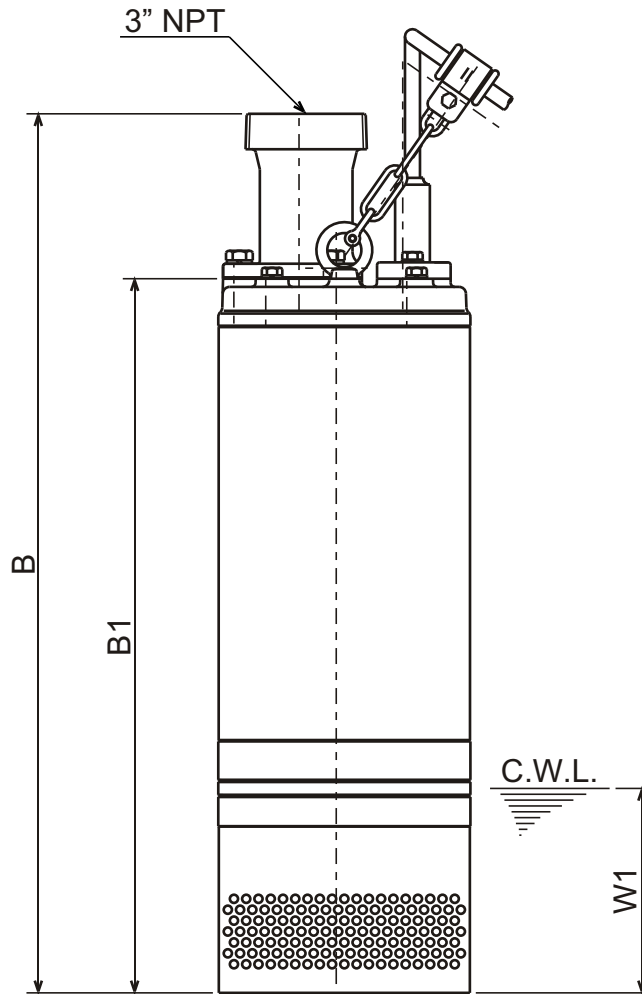
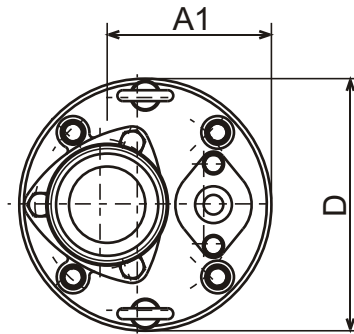




**LH - SERIES
DEWATERING PUMPS**

DIMENSIONS

LH33.0-60



C.W.L. : Continuous running Water Level

DIMENSIONS:USCS (Inch)

Model	HP	NOM. SIZE					C.W.L.	Wt. (lbs.)
			A1	B	B1	D	W1	
LH33.0-60	4	3"	4 3/4	25 3/8	20 5/8	7 5/16	5 7/8	93

DIMENSIONS:METRIC (mm)

Model	kW	NOM. SIZE					C.W.L.	Wt. (kg)
			A1	B	B1	D	W1	
LH33.0-60	3	80	121	645	524	185	150	42