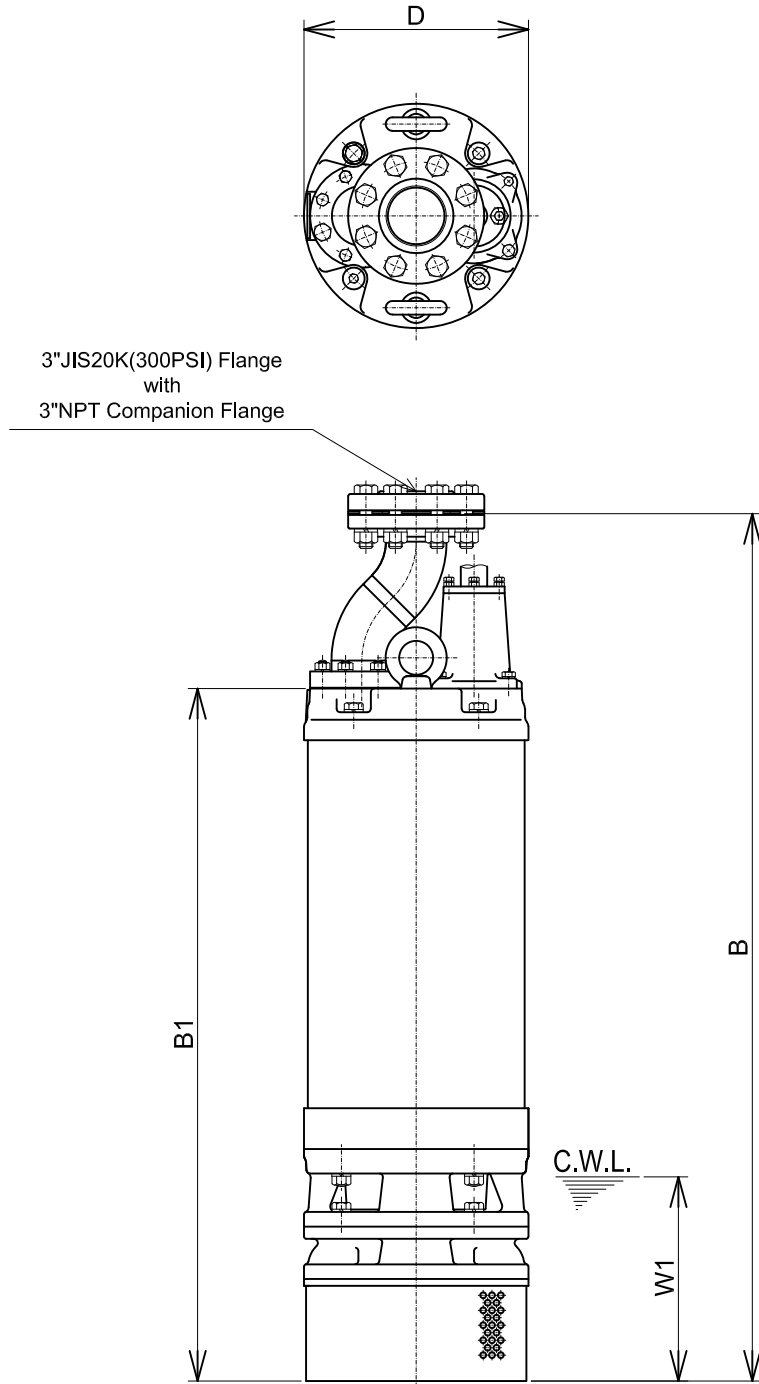


LH322W-14-61



C.W.L. :Continuous running Water Level

DIMENSIONS:USCS (Inch)

| Model | HP | NOM. SIZE | Pump & Motor | | | C.W.L. | Wt. (lbs.) |
|--------------|----|-----------|--------------|---------|----|--------|------------|
| | | | B | B1 | D | W1 | |
| LH322W-14-61 | 30 | 3" | 50 3/16 | 40 1/16 | 13 | 11 3/4 | 750 |

DIMENSIONS:METRIC (mm)

*Excluding Cable

| Model | HP | NOM. SIZE | Pump & Motor | | | C.W.L. | Wt. (kg) |
|--------------|----|-----------|--------------|------|-----|--------|----------|
| | | | B | B1 | D | W1 | |
| LH322W-14-61 | 22 | 80 | 1275 | 1018 | 330 | 300 | 340 |