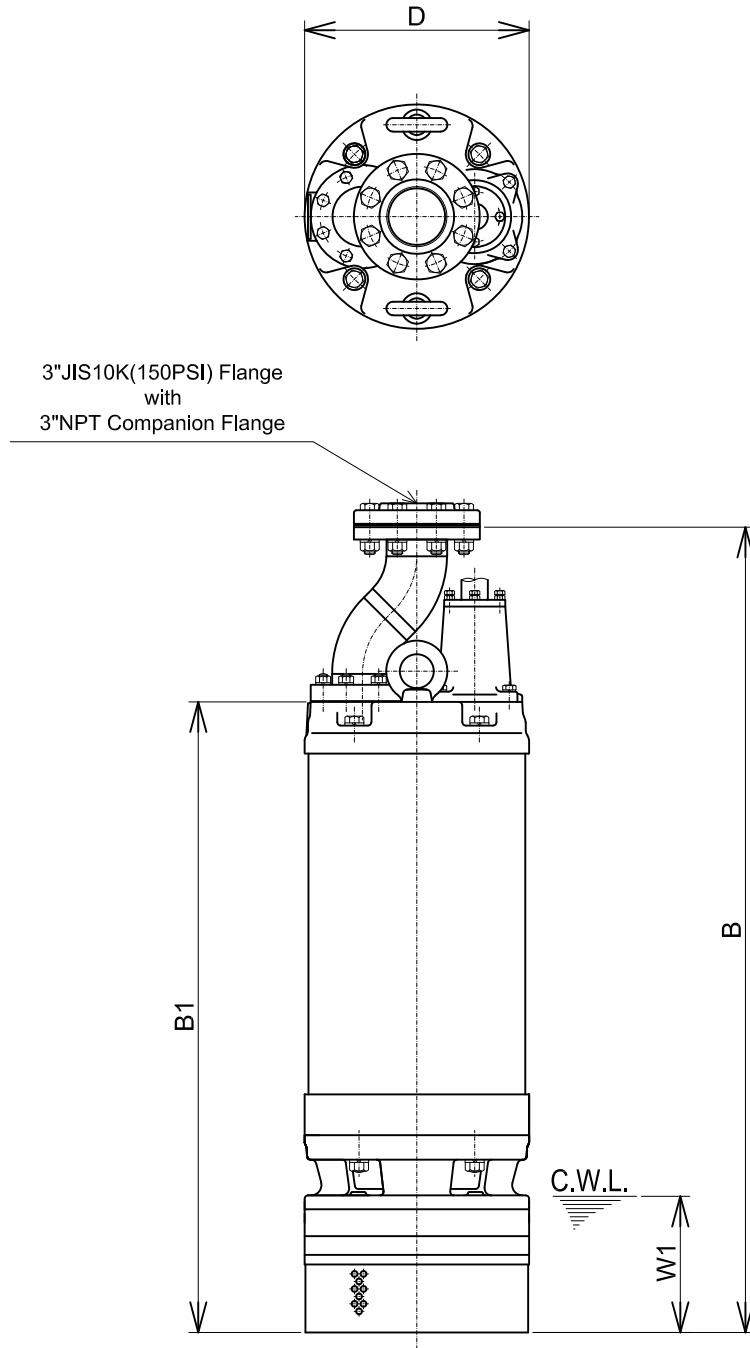


LH311W-14-60



C.W.L. :Continuous running Water Level
The dimension of B and B1 are reference

DIMENSIONS:USCS (Inch)

Model	HP	NOM. SIZE	Pump & Motor			C.W.L.	*Wt. (lbs.)
			B	B1	D	W1	
LH311W-14-60	15	3"	46 10/16	36 1/2	13	7 7/8	705

DIMENSIONS:METRIC (mm)

*Excluding Cable

Model	HP	NOM. SIZE	Pump & Motor			C.W.L.	*Wt. (kg)
			B	B1	D	W1	
LH311W-14-60	11	80	1184	927	330	200	320