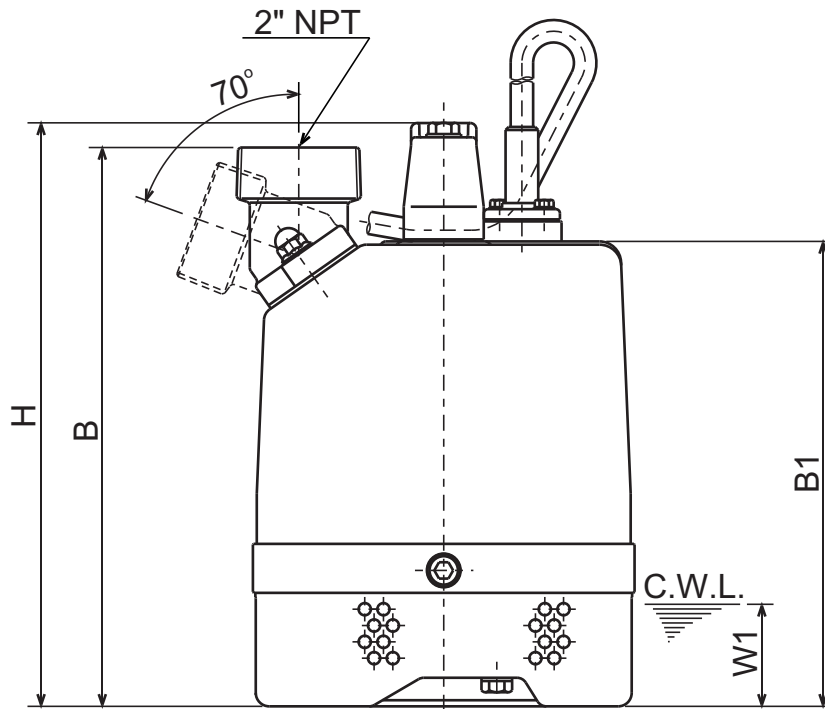
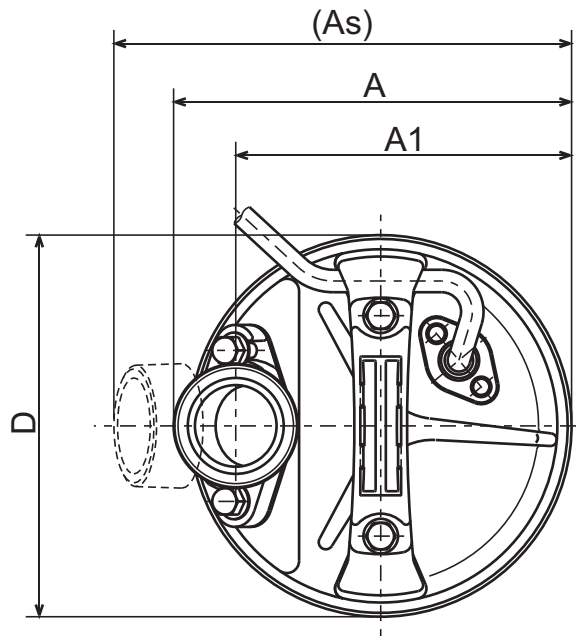




**LB - SERIES**  
**SEMI-VORTEX - DEWATERING PUMP**

**DIMENSIONS**

**LB-480-62**



C.W.L. : Continuous running Water Level

**DIMENSIONS:USCS (Inch)**

Model	HP	NOM. SIZE	Pump & Motor							C.W.L. W1	Wt. (lbs.)
			A	As	A1	B	B1	D	H		
LB-480-62	2/3	2"	7 11/16	8 13/16	6 1/2	10 3/4	8 15/16	7 3/8	11 1/4	2	21

**DIMENSIONS:METRIC (mm)**

Model	kW	NOM. SIZE	Pump & Motor							C.W.L. W1	Wt. (kg)
			A	As	A1	B	B1	D	H		
LB-480-62	0.48	50	195	224	165	274	228	187	286	50	9.5