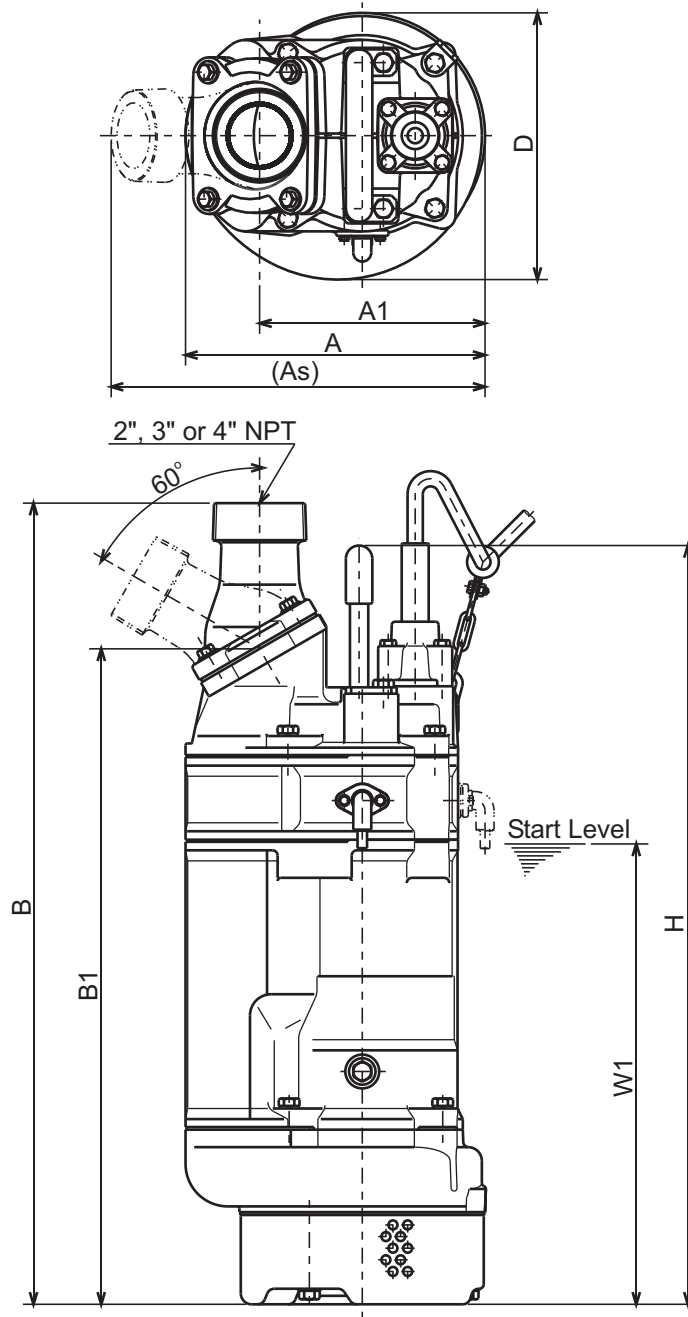




**KTZE - SERIES**  
**DEWATERING PUMPS (AUTO TYPE)**

**DIMENSIONS**

KTZE23.7-61  
KTZE33.7-61  
KTZE43.7-61



**DIMENSIONS:USCS (Inch)**

Model	HP	NOM. SIZE	Pump & Motor							Start W1	Wt. (lbs.)
			A	As	A1	B	B1	D	H		
KTZE23.7-61	5	2"	11 1/8	13 5/16	8 3/8	29 7/16	24 3/8	9 15/16	28 1/4	17 1/8	163
KTZE33.7-61	5	3"	11 1/8	13 7/8	8 3/8	29 13/16	24 3/8	9 15/16	28 1/4	17 1/8	163
KTZE43.7-61	5	4"	11 1/8	14 1/2	8 3/8	30 3/16	24 3/8	9 15/16	28 1/4	17 1/8	163

**DIMENSIONS:METRIC (mm)**

Model	kW	NOM. SIZE	Pump & Motor							Start W1	Wt. (kg)
			A	As	A1	B	B1	D	H		
KTZE23.7-61	3.7	50	283	337	213	747	619	252	717	435	74
KTZE33.7-61	3.7	80	283	353	213	757	619	252	717	435	74
KTZE43.7-61	3.7	100	283	368	213	767	619	252	717	435	74