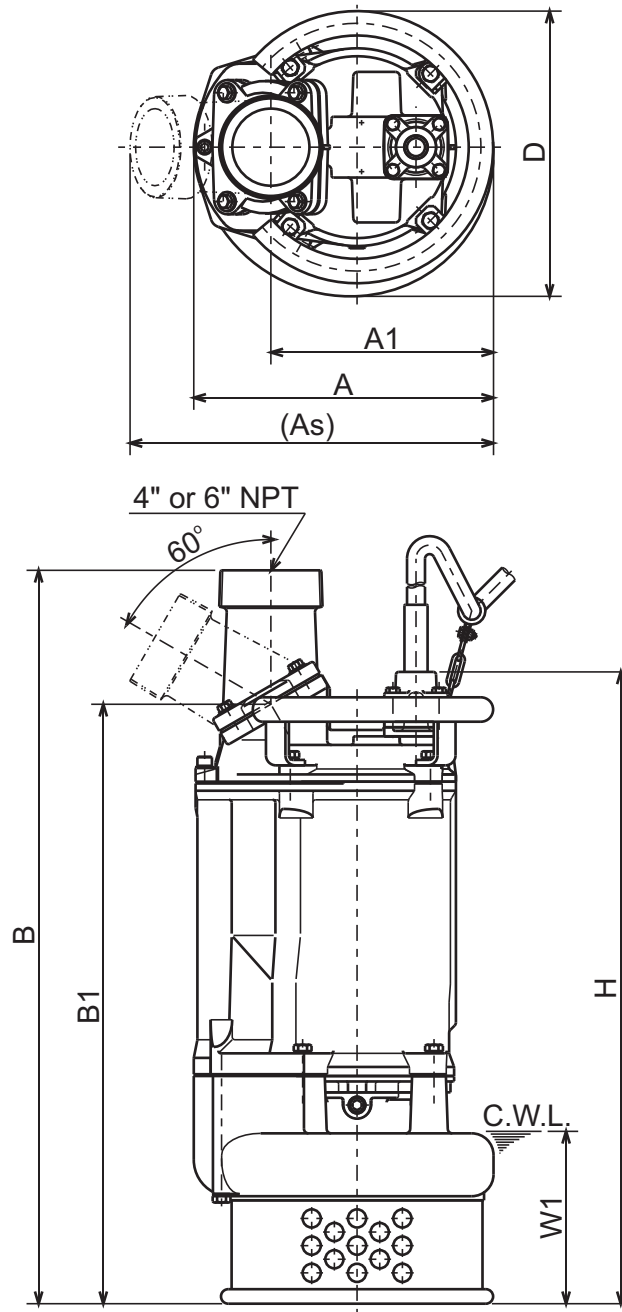




**KTZ - SERIES
DEWATERING PUMPS**

DIMENSIONS

**KTZ47.5-63
KTZ67.5-63**



DIMENSIONS:USCS (Inch)

C.W.L. : Continuous running Water Level

Model	HP	NOM. SIZE	Pump & Motor							C.W.L. W1	Wt. (lbs.)
			A	As	A1	B	B1	D	H		
KTZ47.5-63	10	4"	13	15 3/4	9 11/16	31 13/16	26	12 3/8	27 7/16	7 1/2	225
KTZ67.5-63(4")	10	4"	13	15 3/4	9 11/16	31 13/16	26	12 3/8	27 7/16	7 1/2	225
KTZ67.5-63	10	6"	14 9/16	15 9/16	11 3/16	31 7/8	26	12 3/8	27 7/16	7 1/2	222

DIMENSIONS:METRIC (mm)

Model	kW	NOM. SIZE	Pump & Motor							C.W.L. W1	Wt. (kg)
			A	As	A1	B	B1	D	H		
KTZ47.5-63	7.5	100	330	401	245	809	661	314	697	190	102
KTZ67.5-63(4")	7.5	100	330	401	245	809	661	314	697	190	102
KTZ67.5-63	7.5	150	369	395	284	810	661	314	697	190	101