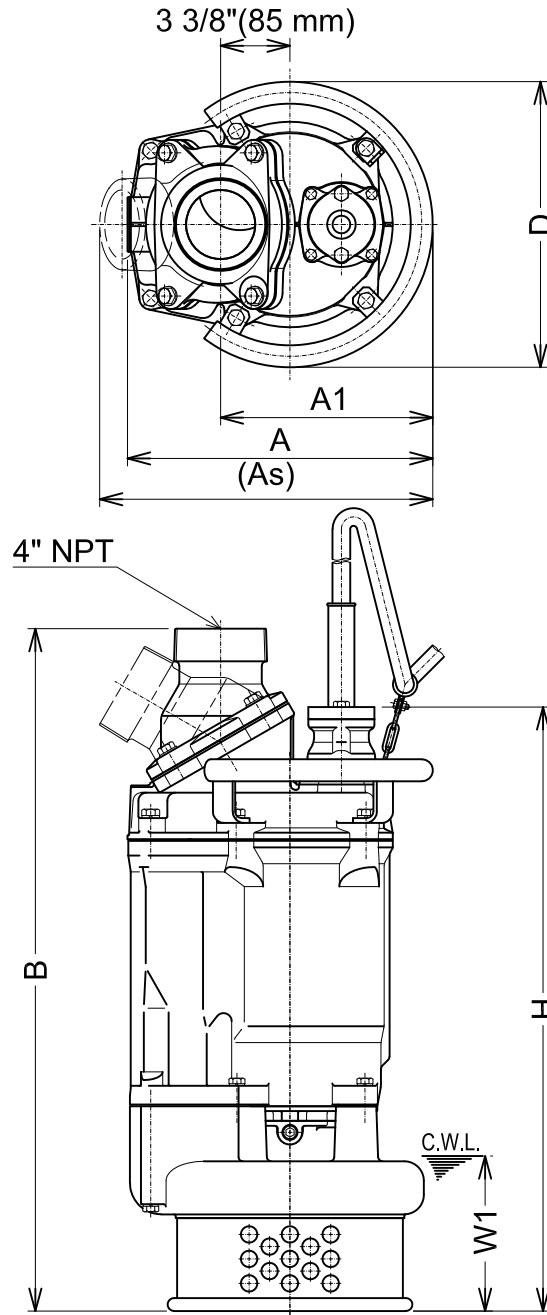




**KTZ SERIES
DEWATERING PUMPS**

DIMENSIONS

**KTZ411-63
KTZ415-61**



C.W.L. :Continuous running Water Level

DIMENSIONS:USCS (Inch)

Model	HP	NOM. SIZE	Pump & Motor						C.W.L. W1	Wt.* (lbs.)
			A	A1	As	B	D	H		
KTZ411-63	15	4"	14 3/4	10 1/4	16 1/16	32 15/16	13 3/4	29 1/8	7 1/2	293
KTZ415-61	20	4"	14 3/4	10 1/4	16 1/16	35 11/16	13 3/4	31 7/8	7 1/2	315

DIMENSIONS:METRIC (mm)

*Excluding Cable

Model	kW	NOM. SIZE	Pump & Motor						C.W.L. W1	Wt.* (kg)
			A	A1	As	B	D	H		
KTZ411-63	11	100	374	260	408	836	350	740	190	133
KTZ415-61	15	100	374	260	408	906	350	810	190	143