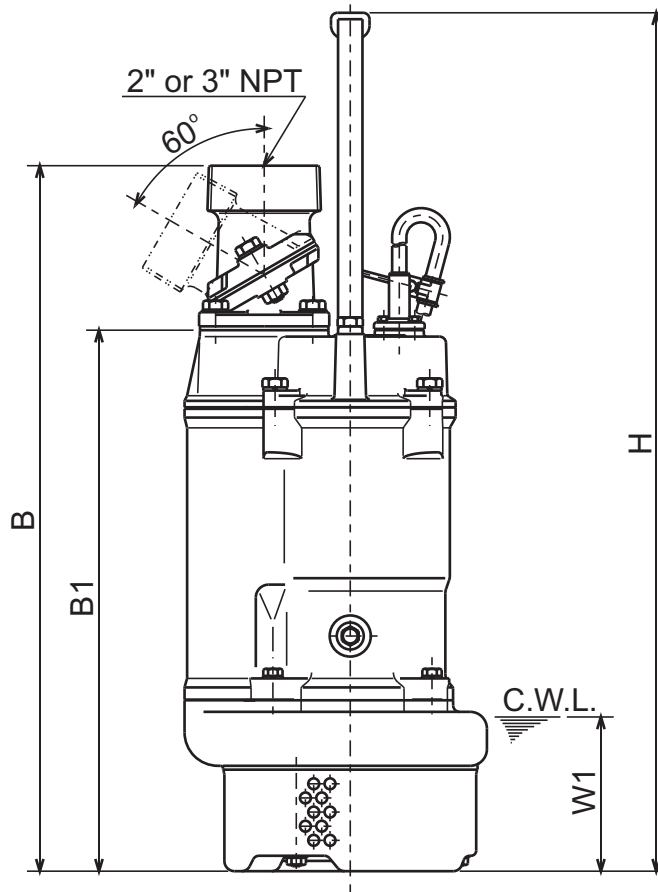
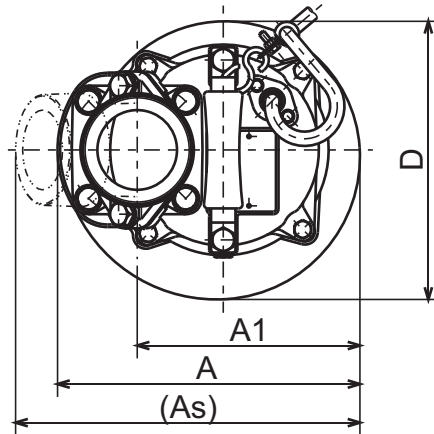




**KTZ - SERIES
DEWATERING PUMPS**

DIMENSIONS

**KTZ22.2-61
KTZ32.2-61**



C.W.L. : Continuous running Water Level

DIMENSIONS:USCS (Inch)

Model	HP	NOM. SIZE	Pump & Motor							C.W.L.	Wt. (lbs.)
			A	As	A1	B	B1	D	H	W1	
KTZ22.2-61	3	2"	9 1/4	10 1/4	6 13/16	21 5/8	16 9/16	8 1/2	26 5/16	4 3/4	79
KTZ32.2-61	3	3"	9 1/4	10 9/16	6 13/16	21 5/8	16 9/16	8 1/2	26 5/16	4 3/4	77

DIMENSIONS:METRIC (mm)

Model	kW	NOM. SIZE	Pump & Motor							C.W.L.	Wt. (kg)
			A	As	A1	B	B1	D	H	W1	
KTZ22.2-61	2.2	50	235	261	173	549	421	216	668	120	36
KTZ32.2-61	2.2	80	235	268	173	549	421	216	668	120	35