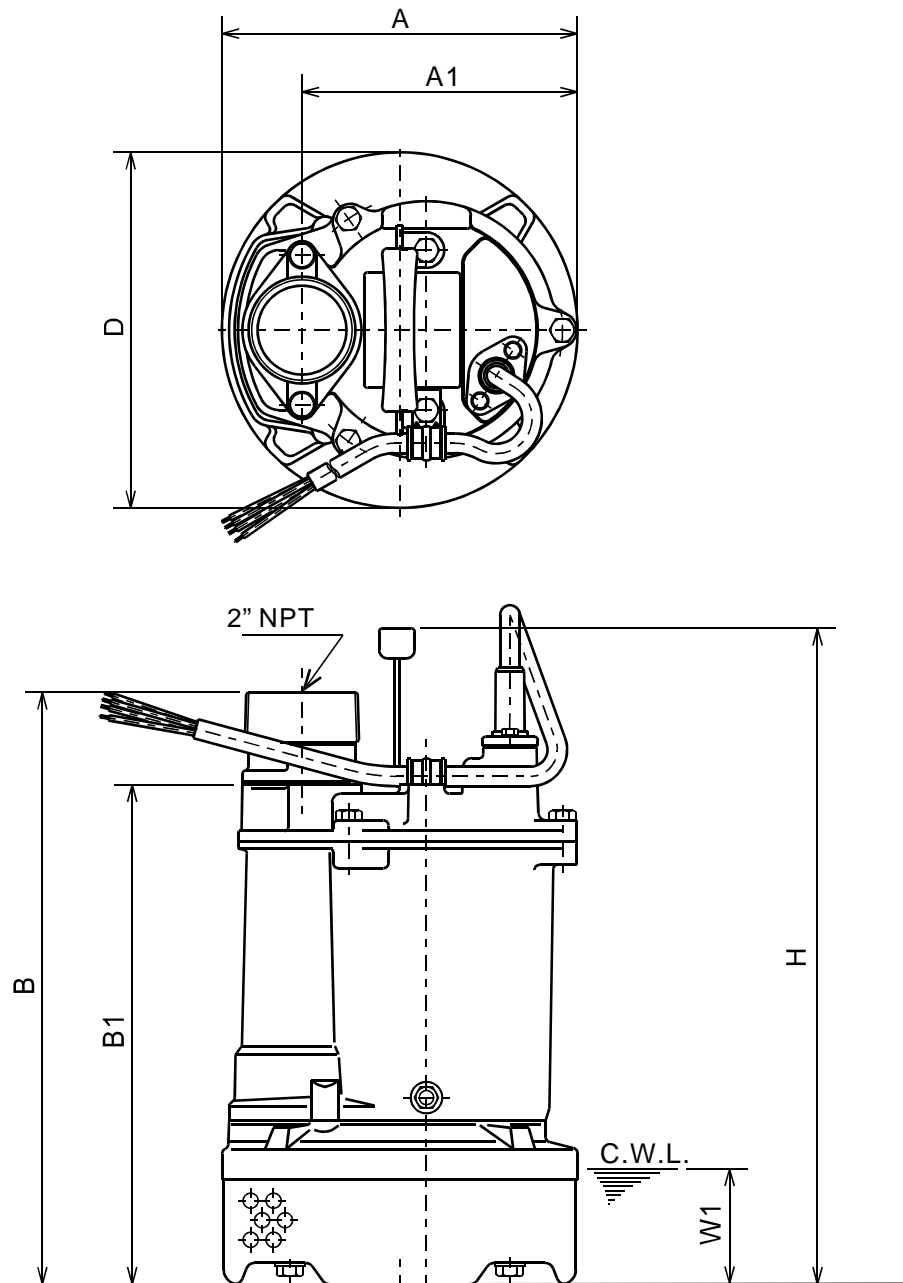



**TSURUMI PUMP**
**KTV - SERIES**  
**SEMI-VORTEX - DEWATERING PUMPS**
**DIMENSIONS**
**KTV2-8**


C.W.L. : Continuous running Water Level

**DIMENSIONS:USCS (Inch)**

Model	HP	NOM. SIZE	Pump & Motor						C.W.L.	Wt. (lbs.)
			A	A1	B	B1	D	H	W1	
KTV2-8	1	2"	7 7/8	6 1/8	13 1/8	11 1/16	7 7/8	14 1/2	2 1/2	25

**DIMENSIONS:METRIC (mm)**

Model	kW	NOM. SIZE	Pump & Motor						C.W.L.	Wt. (kg)
			A	A1	B	B1	D	H	W1	
KTV2-8	0.75	50	200	155	333	281	200	369	65	11.5