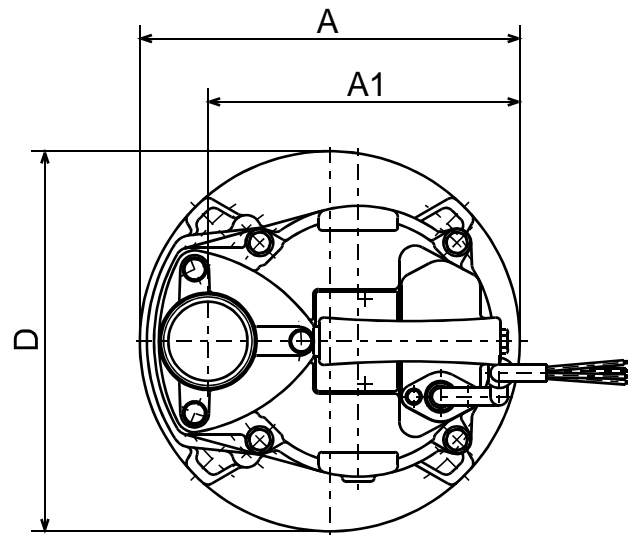


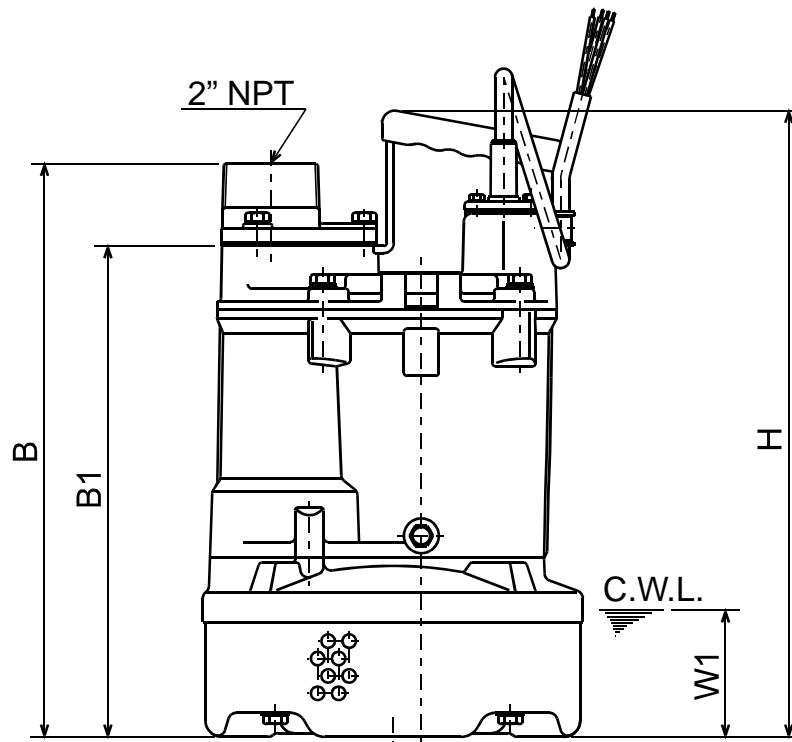


## KTV - SERIES SEMI-VORTEX - DEWATERING PUMPS

## DIMENSIONS



KTV2-15  
KTV2-22



C.W.L. : Continuous running Water Level

### DIMENSIONS:USCS (Inch)

Model	HP	NOM. SIZE	Pump & Motor						C.W.L.	Wt. (lbs.)
			A	A1	B	B1	D	H	W1	
KTV2-15	2	2"	9 7/16	7 3/4	14 1/4	12 3/16	9 7/16	15 9/16	3 1/8	46
KTV2-22	3	2"	9 7/16	7 3/4	15 1/16	13	9 7/16	16 3/8	3 1/8	51

### DIMENSIONS:METRIC (mm)

Model	kW	NOM. SIZE	Pump & Motor						C.W.L.	Wt. (kg)
			A	A1	B	B1	D	H	W1	
KTV2-15	1.5	50	240	197	362	310	240	396	80	21.0
KTV2-22	2.2	50	240	197	382	330	240	416	80	23.0