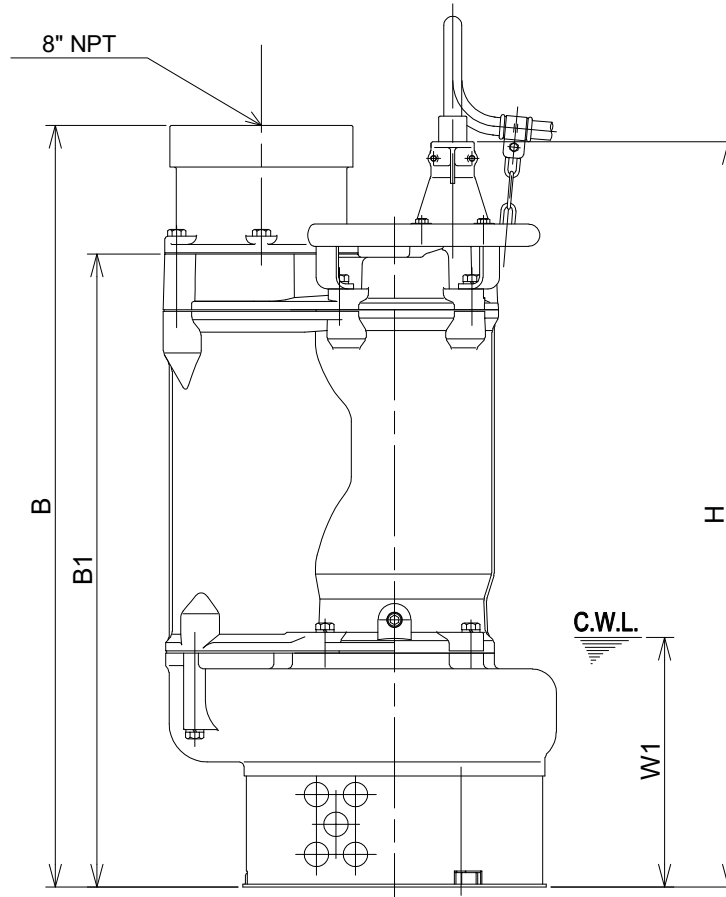
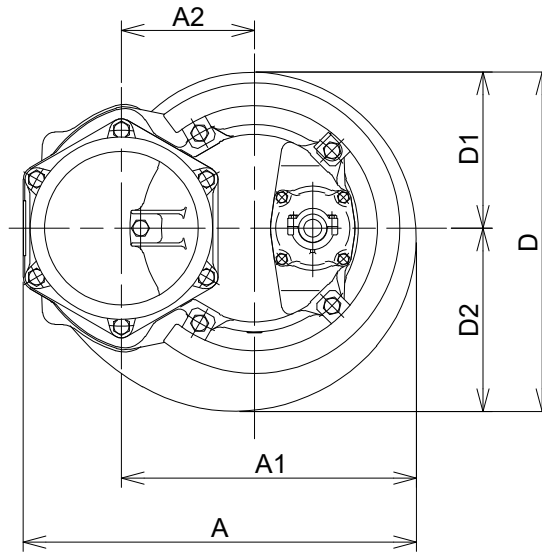


KRS811 -61



C.W.L. :Continuous running Water Level

DIMENSIONS:USCS (Inch)

Model	HP	NOM. SIZE	Pump & Motor									C.W.L.	*Wt.
			A	A1	A2	B	B1	D	D1	D2	H	W1	(lbs.)
KRS811 -61	15	8"	18 5/8	14	6 5/16	35 13/16	29 15/16	16 1/8	7 3/8	8 11/16	35 1/4	11 3/4	394

DIMENSIONS:METRIC (mm)

*Excluding Cable

Model	kW	NOM. SIZE	Pump & Motor									C.W.L.	*Wt.
			A	A1	A2	B	B1	D	D1	D2	H	W1	(kg)
KRS811 -61	11	200	473	355	160	909	761	409	188	221	896	300	179