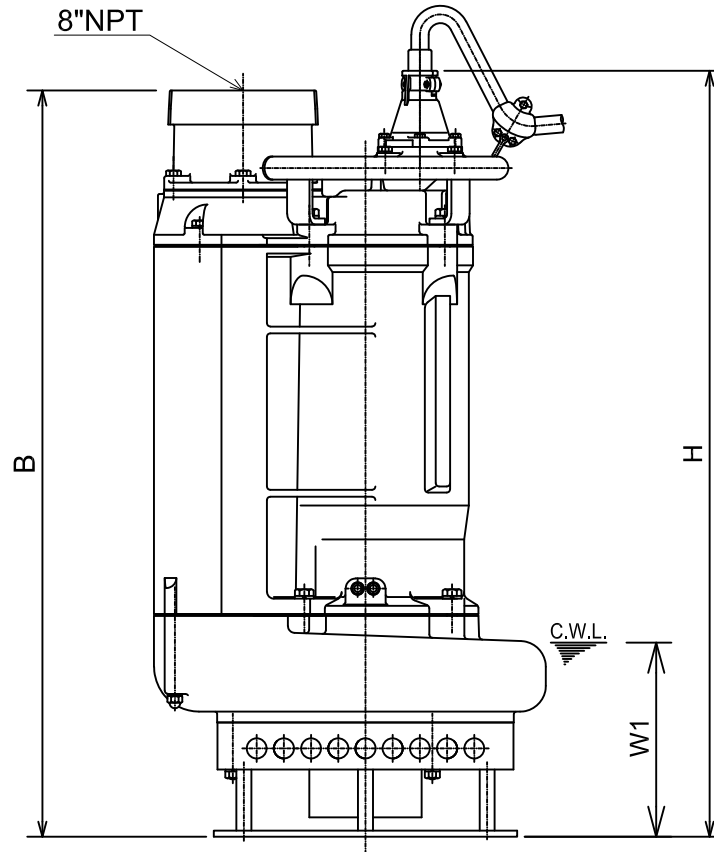
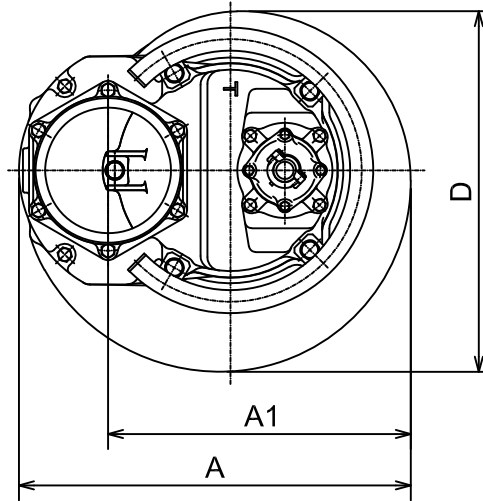




KRS SERIES
HIGH VOLUME - AGITATOR PUMPS

DIMENSIONS

KRS-200



C.W.L. :Continuous running Water Level

DIMENSIONS:USCS(Inch)

Model	HP	NOM. SIZE	Pump & Motor					C.W.L.	*Wt. (lbs.)
			A	A1	B	D	H	W1	
KRS-200	30	8"	22 11/16	17 1/2	43 3/16	20 3/4	44 5/16	11 1/4	840

*Excluding Cable

DIMENSIONS:METRIC(mm)

Model	kW	NOM. SIZE	Pump & Motor					C.W.L.	*Wt. (kg)
			A	A1	B	D	H	W1	
KRS-200	22	200	576	445	1097	530	1126	285	380