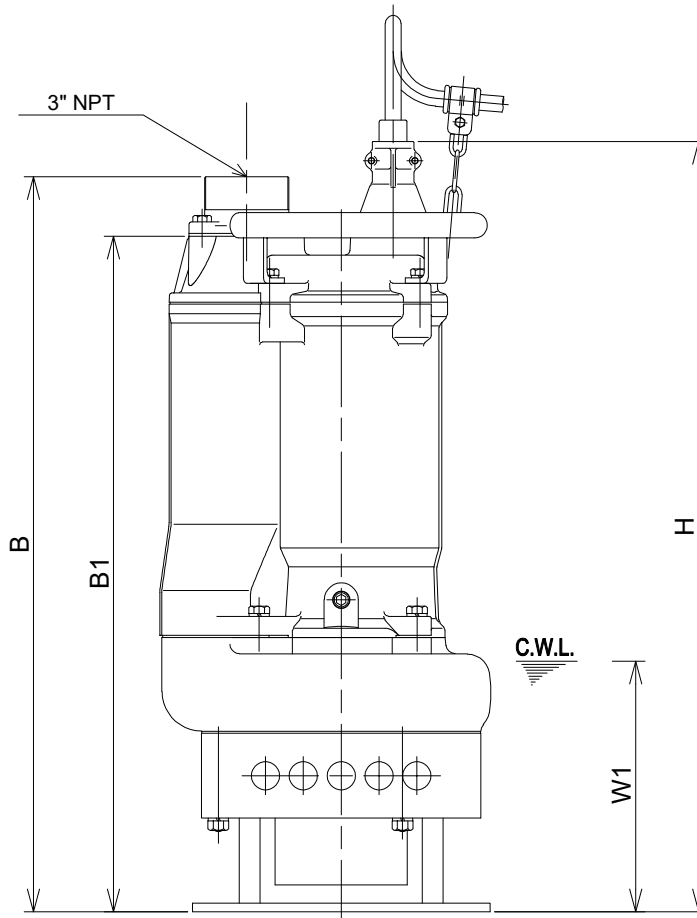
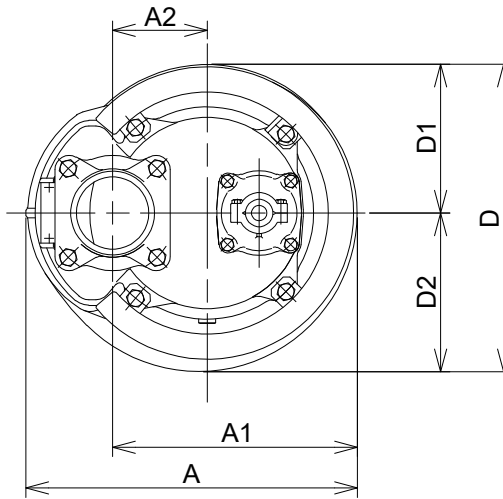


KRD35.5 -61



C.W.L. :Continuous running Water Level

DIMENSIONS:USCS (Inch)

Model	HP	NOM. SIZE	Pump & Motor									C.W.L.	*Wt.
			A	A1	A2	B	B1	D	D1	D2	H	W1	(lbs.)
KRD35.5 -61	7.5	3"	13 13/16	10 3/16	3 15/16	30 5/8	28 1/8	12 13/16	6 1/4	6 5/8	32 1/16	10 3/8	236

DIMENSIONS:METRIC (mm)

*Excluding Cable

Model	kW	NOM. SIZE	Pump & Motor									C.W.L.	*Wt.
			A	A1	A2	B	B1	D	D1	D2	H	W1	(kg)
KRD35.5 -61	5.5	80	351	259	100	778	715	326	158	168	815	265	107