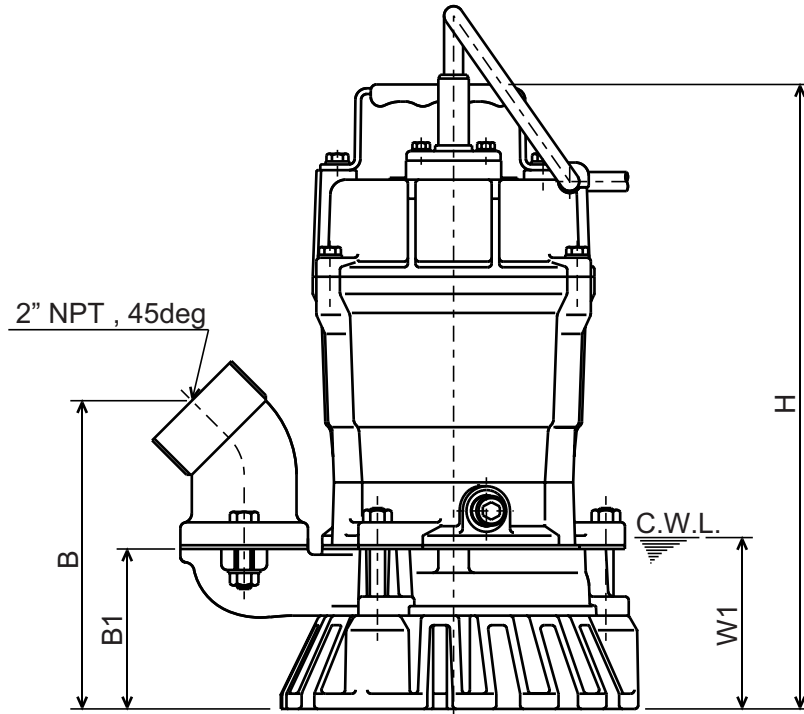
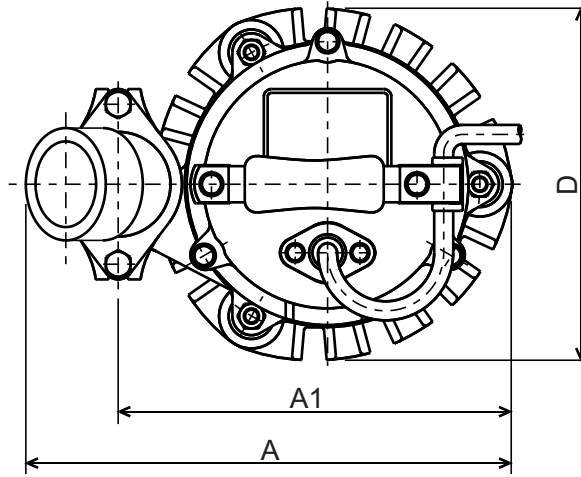




HS - SERIES
SEMI-VORTEX - WASTEWATER PUMP

DIMENSIONS

HS2.4S-62



C.W.L. : Continuous running Water Level

DIMENSIONS:USCS (Inch)

Model	HP	NOM. SIZE	Pump & Motor						C.W.L.	Wt. (lbs.)
			A	A1	B	B1	D	H	W1	
HS2.4S-62	1/2	2"	10 1/16	8 1/8	6 3/8	3 5/16	7 5/16	12 15/16	3 1/2	25

DIMENSIONS:METRIC (mm)

Model	kW	NOM. SIZE	Pump & Motor						C.W.L.	Wt. (kg)
			A	A1	B	B1	D	H	W1	
HS2.4S-62	0.40	50	255	207	162	84	185	328	90	11.3