



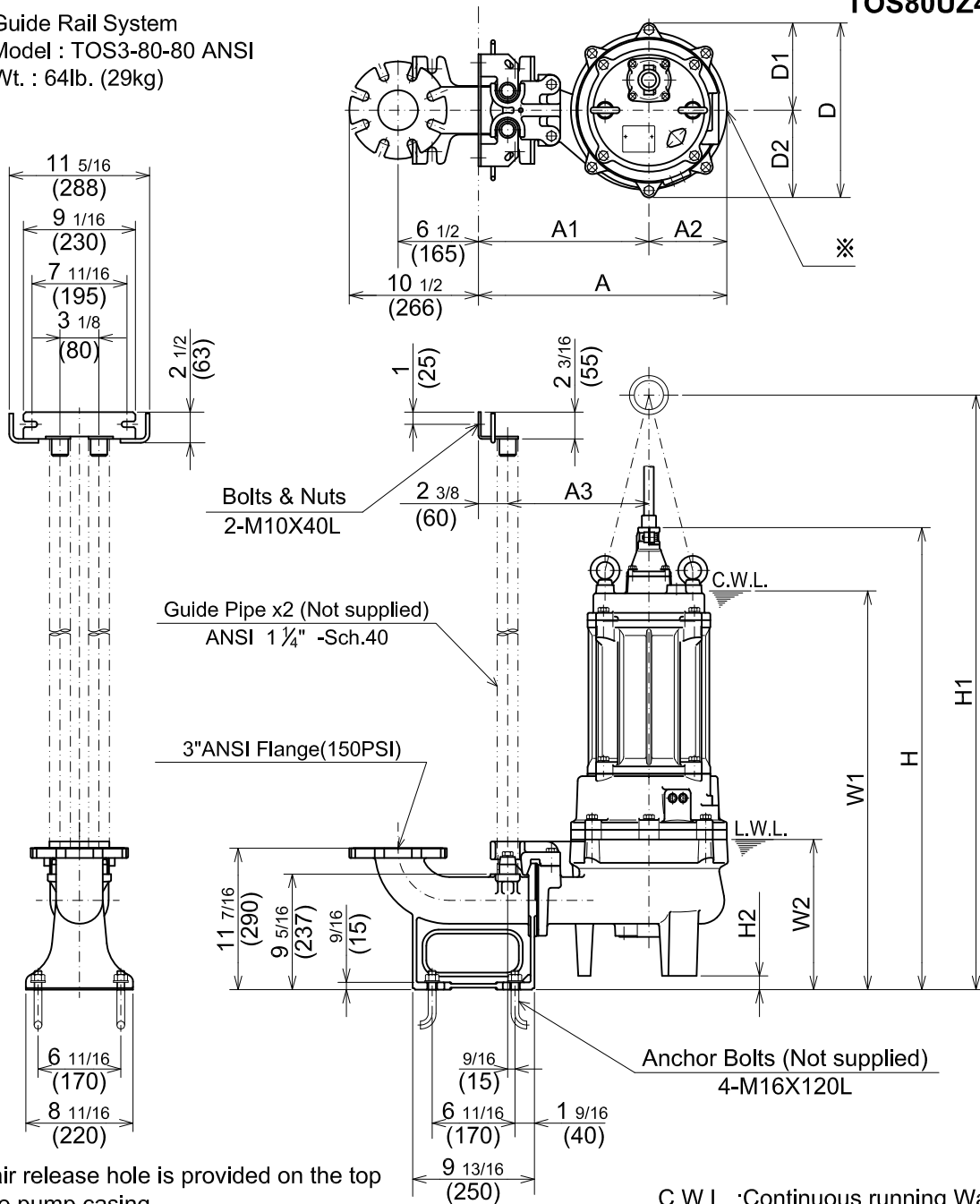
TSURUMI PUMP

UZ-SERIES
VORTEX - SEWAGE & WASTEWATER PUMPS

DIMENSIONS

TOS80UZ45.5 -64
TOS80UZ47.5 -64

Guide Rail System
Model : TOS3-80-80 ANSI
Wt. : 64lb. (29kg)



※An air release hole is provided on the top of the pump casing.

C.W.L. :Continuous running Water Level
L.W.L. :Lowest running Water Level

DIMENSIONS:USCS(Inch)

| Model | HP | NOM. SIZE | Pump & Motor | | | | | | | | | C.W.L. | L.W.L. | *Wt. (lbs.) | | |
|-----------------|-----|-----------|--------------|--------|--------|---------|--------|--------|--------|--------|---------|--------|--------|-------------|--------|-----|
| | | | A | A1 | A2 | A3 | D | D1 | D2 | H | H1 | | | | H2 | W1 |
| TOS80UZ45.5 -64 | 7.5 | 3" | 20 1/16 | 13 3/4 | 6 5/16 | 11 7/16 | 14 1/8 | 7 1/16 | 7 1/16 | 7 1/16 | 36 1/2 | 49 1/2 | 1 1/8 | 31 1/2 | 12 1/4 | 273 |
| TOS80UZ47.5 -64 | 10 | 3" | 20 1/16 | 13 3/4 | 6 5/16 | 11 7/16 | 14 1/8 | 7 1/16 | 7 1/16 | 7 1/16 | 37 5/16 | 51 | 1 1/8 | 32 1/4 | 12 1/4 | 302 |

DIMENSIONS:METRIC(mm)

| Model | kW | NOM. SIZE | Pump & Motor | | | | | | | | | C.W.L. | L.W.L. | *Wt. (kg) | | |
|-----------------|-----|-----------|--------------|-----|-----|-----|-----|-----|-----|-----|-----|--------|--------|-----------|-----|-----|
| | | | A | A1 | A2 | A3 | D | D1 | D2 | H | H1 | | | | H2 | W1 |
| TOS80UZ45.5 -64 | 5.5 | 80 | 510 | 350 | 160 | 290 | 358 | 179 | 179 | 179 | 927 | 1258 | 28 | 800 | 310 | 124 |
| TOS80UZ47.5 -64 | 7.5 | 80 | 510 | 350 | 160 | 290 | 358 | 179 | 179 | 179 | 948 | 1296 | 28 | 820 | 310 | 137 |

*Excluding TOS & Cable.