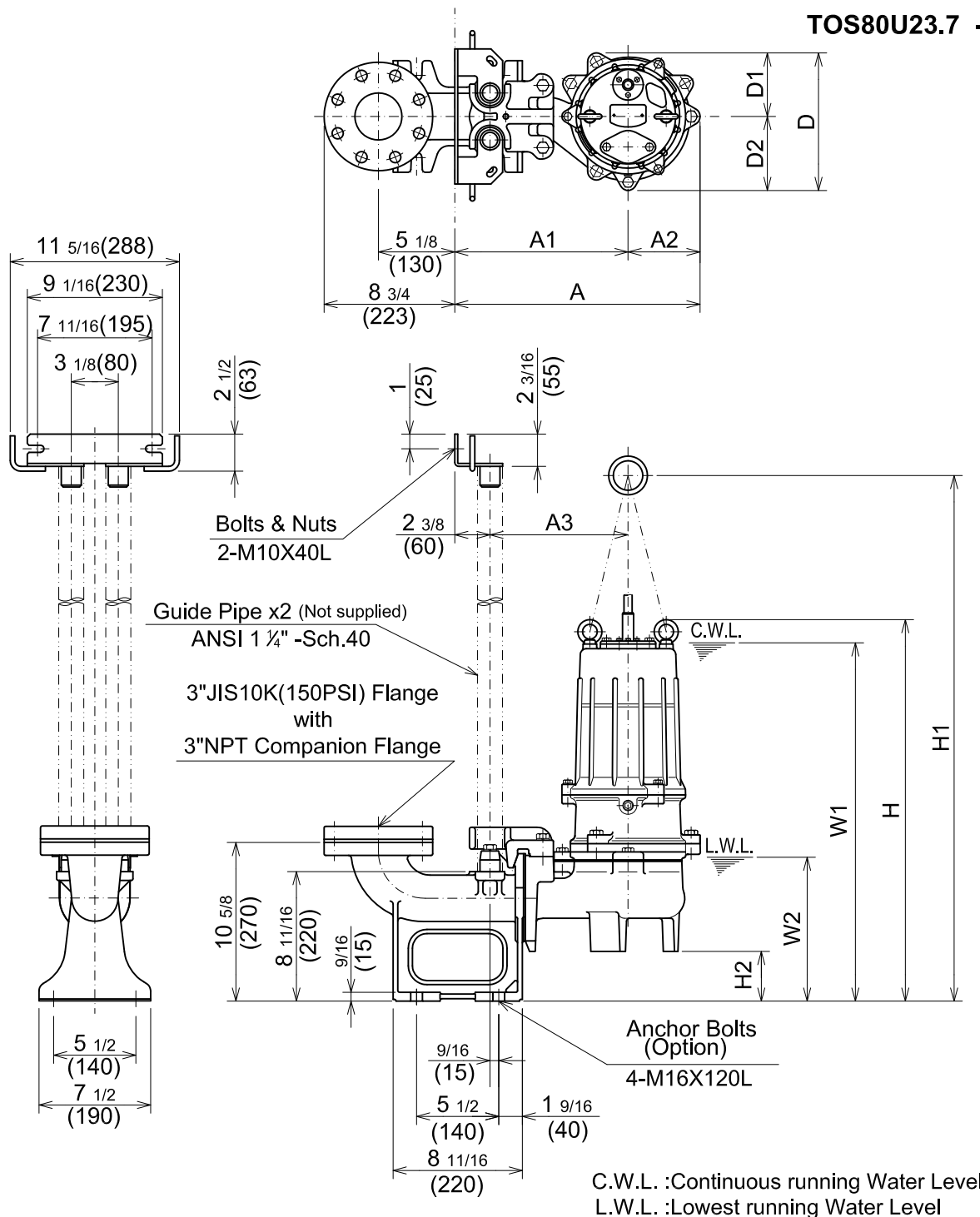




U-SERIES
SEMI-VORTEX - SEWAGE & WASTEWATER PUMPS

DIMENSIONS

TOS80U23.7 -64



C.W.L. :Continuous running Water Level
L.W.L. :Lowest running Water Level

DIMENSIONS:USCS(Inch)

Model	HP	NOM. SIZE	Pump & Motor									C.W.L.	L.W.L.	Wt. (lbs.)	
			A	A1	A2	A3	D	D1	D2	H	H1				H2
TOS80U23.7 -64	5	3"	16 7/16	11 5/8	4 13/16	9 1/4	9 3/16	4 1/4	4 15/16	25 9/16	30 3/8	3 3/8	24	9 5/8	128

DIMENSIONS:METRIC(mm)

Model	kW	NOM. SIZE	Pump & Motor									C.W.L.	L.W.L.	Wt. (kg)	
			A	A1	A2	A3	D	D1	D2	H	H1				H2
TOS80U23.7 -64	3.7	80	418	295	123	235	234	108	126	650	771	85	610	245	58