

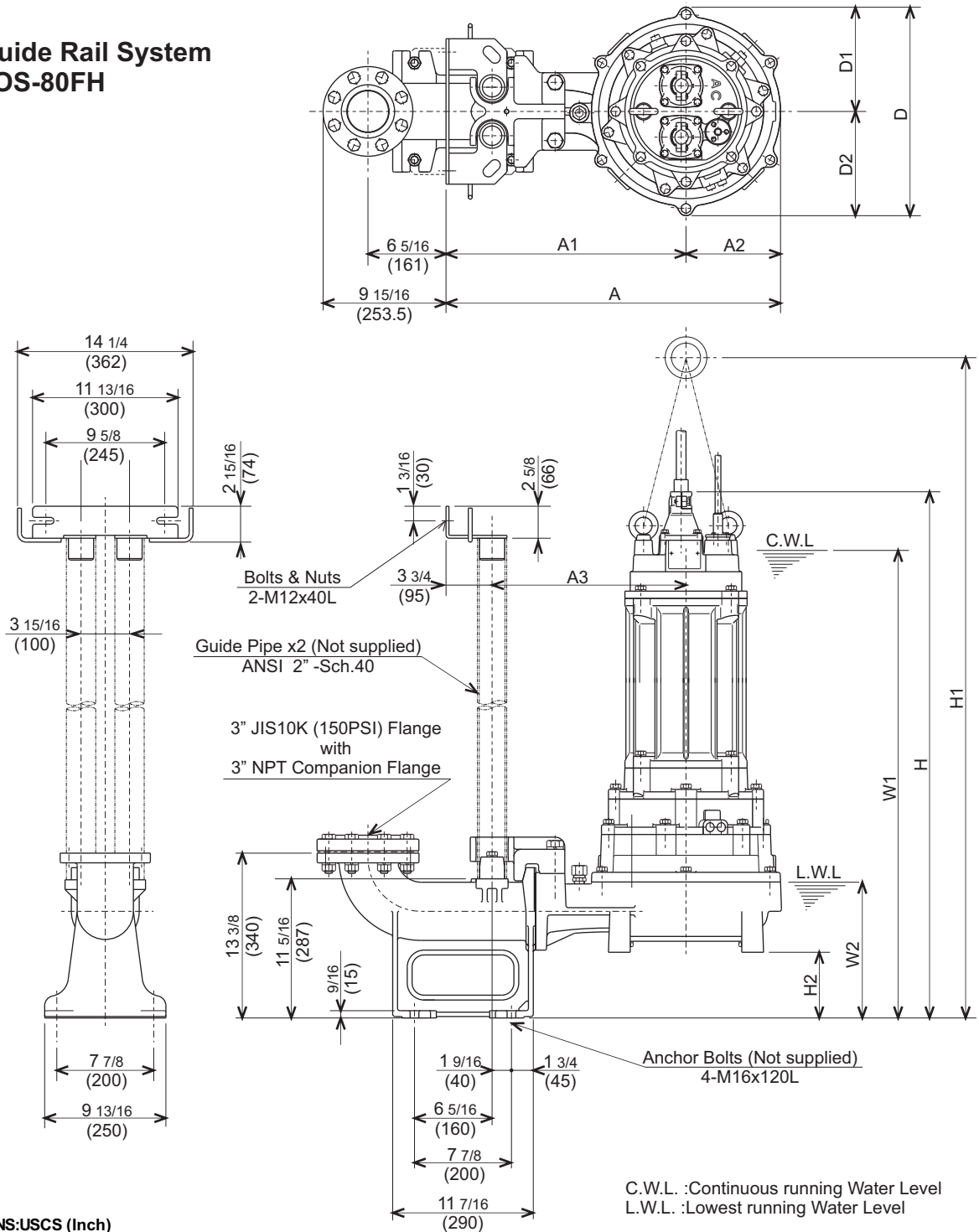


C - SERIES
CUTTER-TYPE - SEWAGE & WASTEWATER PUMPS

DIMENSIONS

TOS80C215-CR-61

Guide Rail System
TOS-80FH



DIMENSIONS:USCS (Inch)

Model	HP	NOM. SIZE	Pump & Motor										C.W.L. W1	L.W.L. W2	Wt. (lbs.)	
			A	A1	A2	A3	D	D1	D2	H	H1	H2				
TOS80C215-CR-61	20	3"	27 3/16	19 1/2	7 11/16	15 3/4	16 15/16	8 7/16	8 7/16	8 7/16	42 3/4	64 3/8	5 3/8	38	11	505

DIMENSIONS:METRIC (mm)

Model	kW	NOM. SIZE	Pump & Motor										C.W.L. W1	L.W.L. W2	Wt. (kg)	
			A	A1	A2	A3	D	D1	D2	H	H1	H2				
TOS80C215-CR-61	15	80	690	495	195	400	430	215	215	215	1086	1635	136	965	280	230