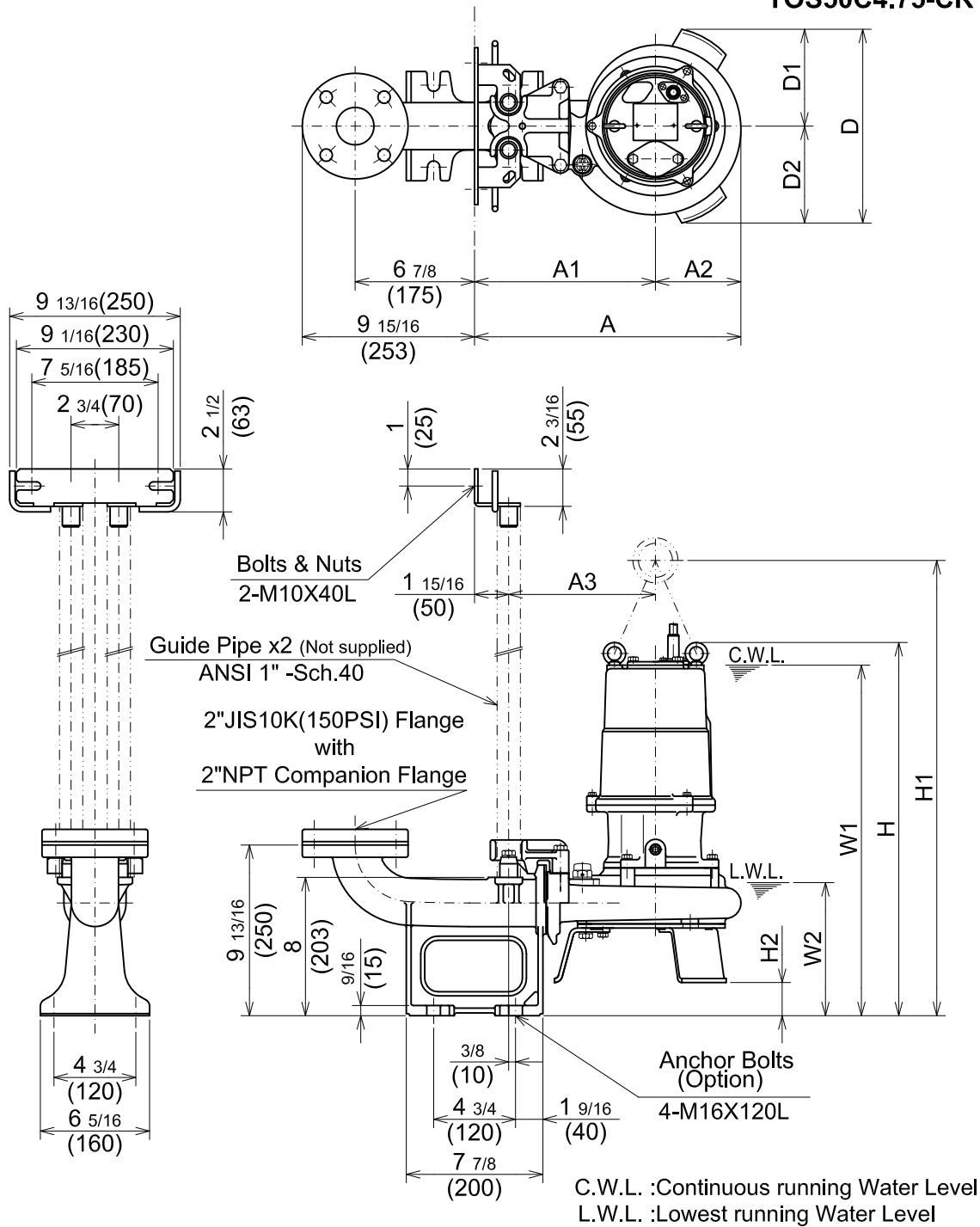


**TOS50C4.75-CR -63**



C.W.L. :Continuous running Water Level  
L.W.L. :Lowest running Water Level

**DIMENSIONS:USCS(Inch)**

Model	HP	NOM. SIZE	Pump & Motor										C.W.L.	L.W.L.	Wt. (lbs.)
			A	A1	A2	A3	D	D1	D2	H	H1	H2			
TOS50C4.75-CR -63	1	2"	15 3/8	10 7/16	4 15/16	8 7/16	11 3/16	5 9/16	5 9/16	21 9/16	26 1/4	1 7/8	20 1/4	7 5/8	90

**DIMENSIONS:METRIC(mm)**

Model	kW	NOM. SIZE	Pump & Motor										C.W.L.	L.W.L.	Wt. (kg)
			A	A1	A2	A3	D	D1	D2	H	H1	H2			
TOS50C4.75-CR -63	0.75	50	390	265	125	215	284	142	142	547	667	48	515	195	41