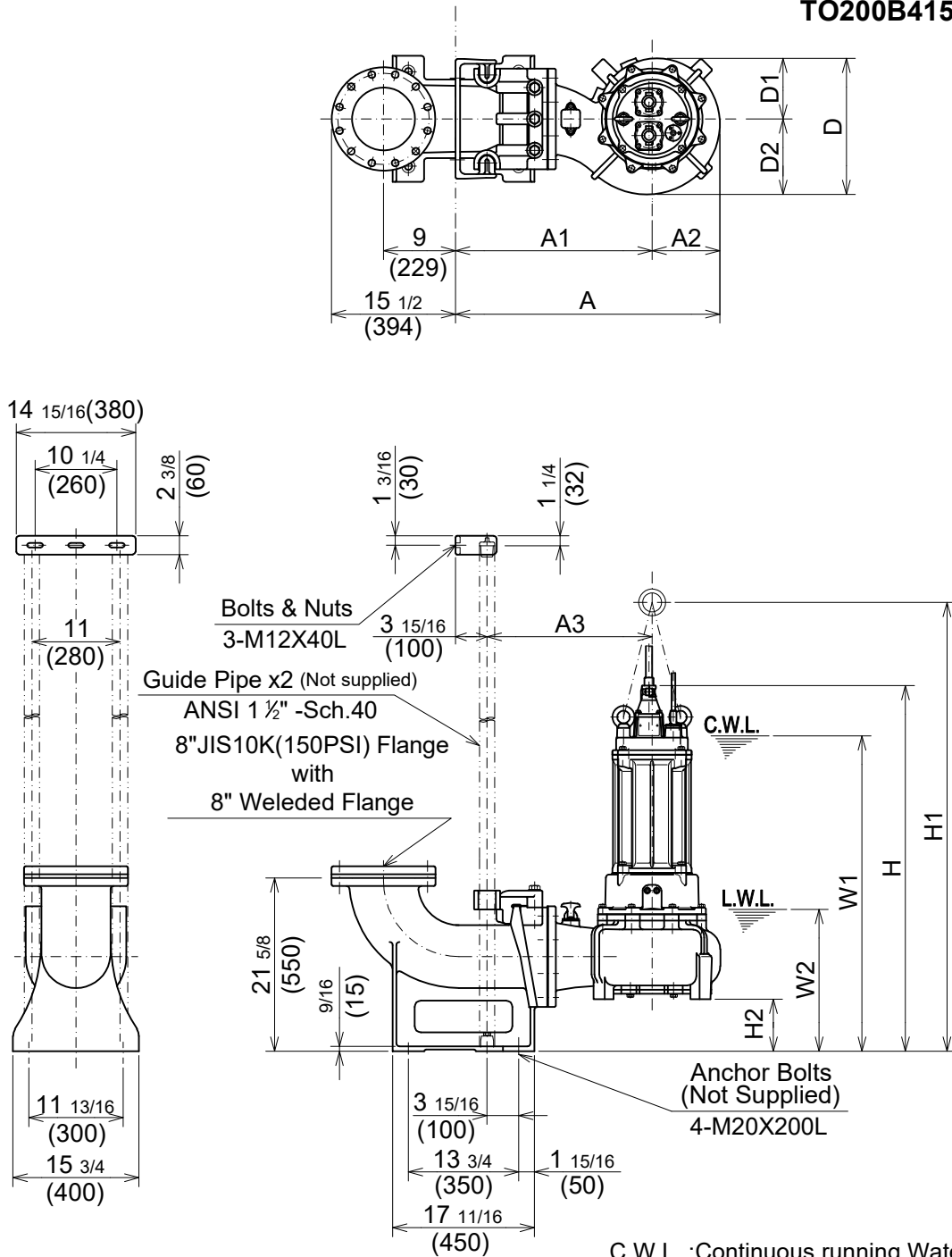


TO200B415 -63



C.W.L. :Continuous running Water Level
L.W.L. :Lowest running Water Level

DIMENSIONS:USCS(Inch)

Model	HP	NOM. SIZE	Pump & Motor									C.W.L.	L.W.L.	*Wt. (lbs.)	
			A	A1	A2	A3	D	D1	D2	H	H1				H2
TO200B415 -63	20	8"	33 1/16	24 9/16	8 1/2	20 5/8	17 1/16	7 5/8	9 7/16	45 11/16	59	6 1/2	39 5/8	17 3/4	630

DIMENSIONS:METRIC(mm)

Model	kW	NOM. SIZE	Pump & Motor									C.W.L.	L.W.L.	*Wt. (kg)	
			A	A1	A2	A3	D	D1	D2	H	H1				H2
TO200B415 -63	15	200	840	624	216	524	433	193	240	1161	1499	165	1005	450	285

*Excluding Cable