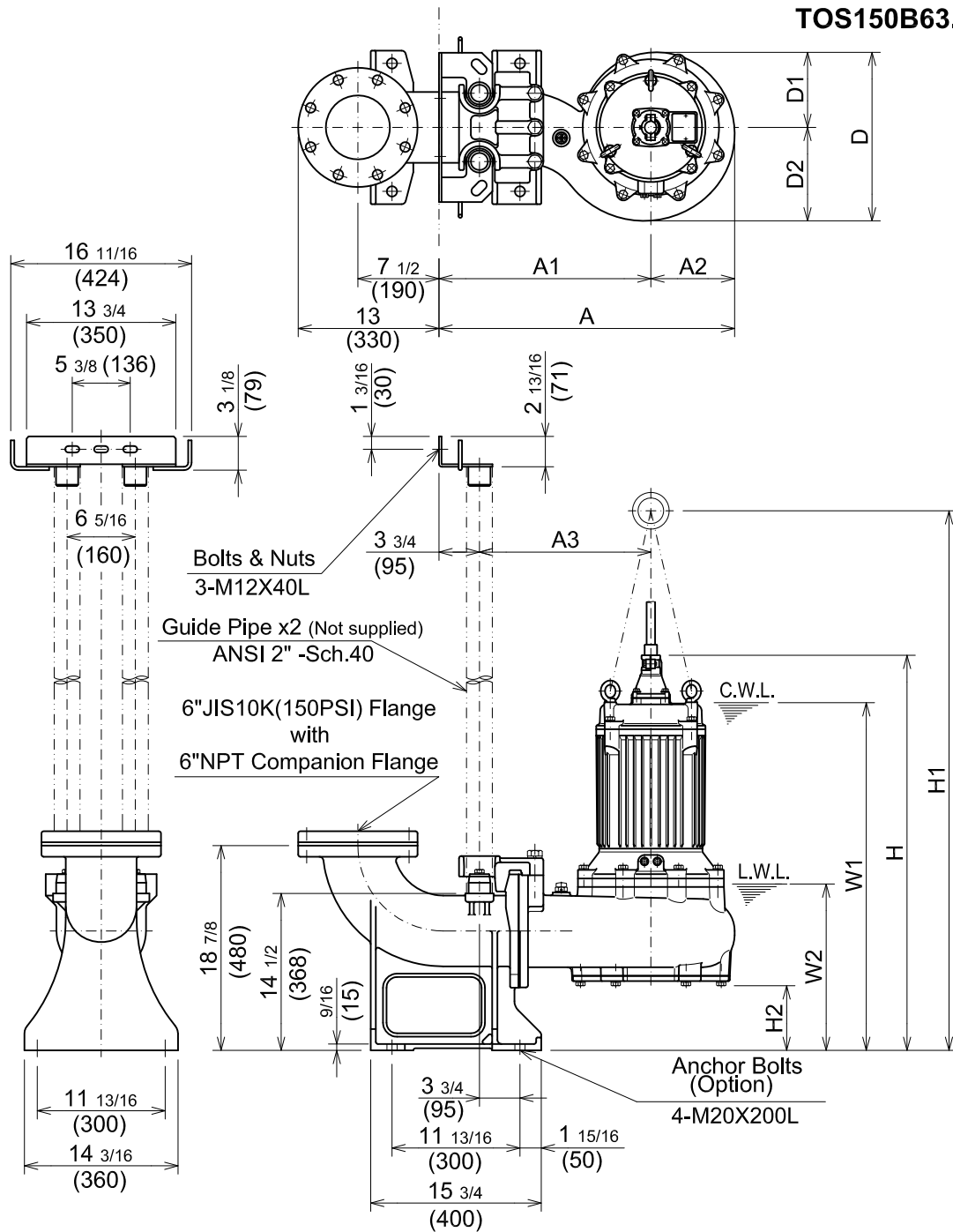


**TOS150B63.7 -61**



C.W.L. :Continuous running Water Level  
L.W.L. :Lowest running Water Level

**DIMENSIONS:USCS(Inch)**

| Model           | HP | NOM. SIZE | Pump & Motor |         |         |          |         |         |       |         |         |    | C.W.L. | L.W.L. | Wt. (lbs.) |
|-----------------|----|-----------|--------------|---------|---------|----------|---------|---------|-------|---------|---------|----|--------|--------|------------|
|                 |    |           | A            | A1      | A2      | A3       | D       | D1      | D2    | H       | H1      | H2 |        |        |            |
| TOS150B63.7 -61 | 5  | 6"        | 27 5/16      | 19 9/16 | 7 11/16 | 15 13/16 | 15 9/16 | 6 15/16 | 8 5/8 | 36 7/16 | 50 1/16 | 6  | 32 1/4 | 15 3/4 | 348        |

**DIMENSIONS:METRIC(mm)**

| Model           | kW  | NOM. SIZE | Pump & Motor |     |     |     |     |     |     |     |      |     | C.W.L. | L.W.L. | Wt. (kg) |
|-----------------|-----|-----------|--------------|-----|-----|-----|-----|-----|-----|-----|------|-----|--------|--------|----------|
|                 |     |           | A            | A1  | A2  | A3  | D   | D1  | D2  | H   | H1   | H2  |        |        |          |
| TOS150B63.7 -61 | 3.7 | 150       | 693          | 497 | 196 | 402 | 395 | 176 | 219 | 926 | 1271 | 152 | 820    | 400    | 158      |