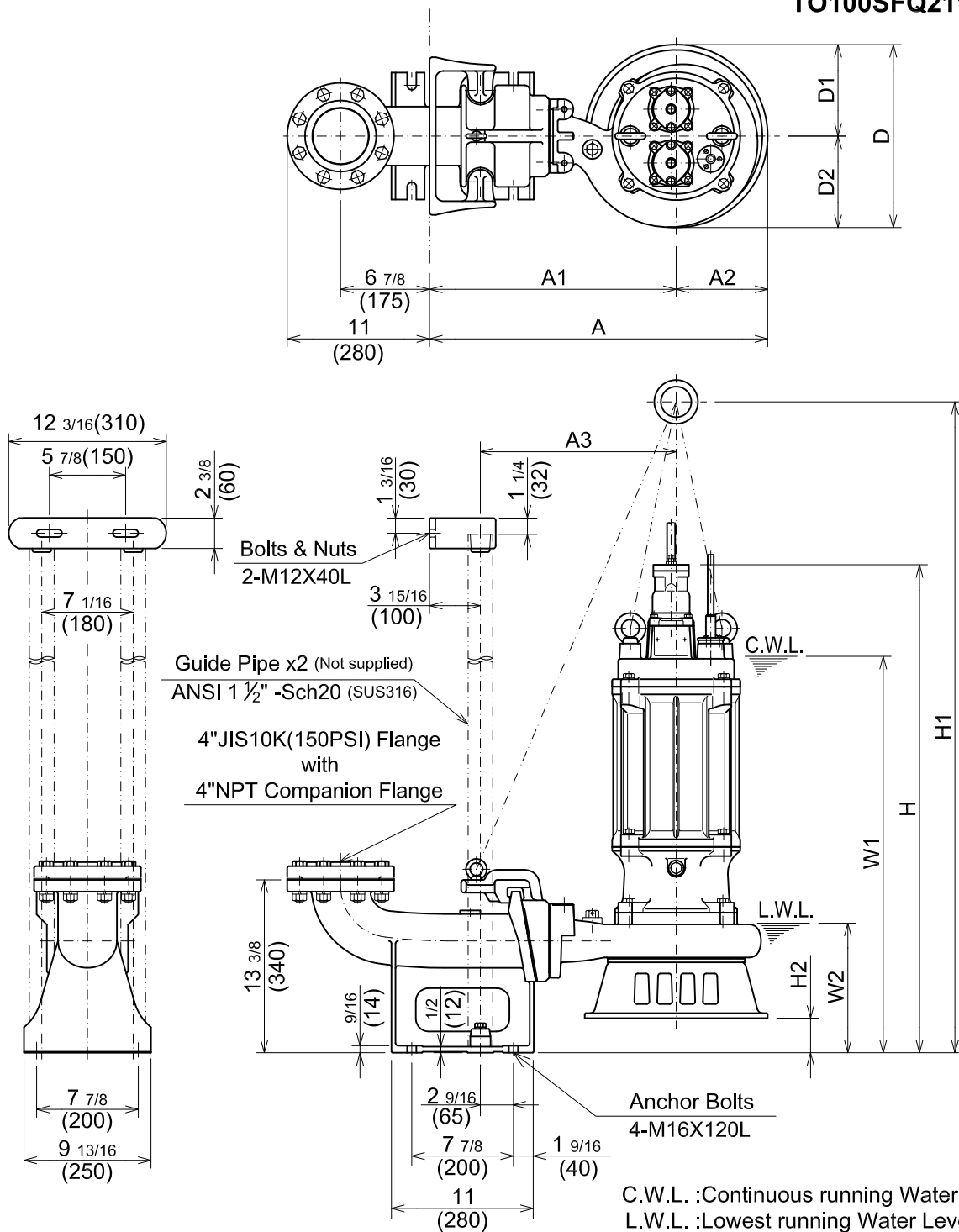




SFQ-SERIES
ALL316SS - DEWATERING PUMPS

DIMENSIONS

TO100SFQ211 -62



DIMENSIONS:USCS(Inch)

Model	HP	NOM. SIZE	Pump & Motor									C.W.L.	L.W.L.	Wt. (lbs.)	
			A	A1	A2	A3	D	D1	D2	H	H1				H2
TO100SFQ211 -62	15	4"	26 3/16	19 1/8	7 1/16	15 3/16	14 3/16	7 1/16	7 1/16	37 13/16	50 7/16	2 11/16	30 3/4	10	306

DIMENSIONS:METRIC(mm)

Model	kW	NOM. SIZE	Pump & Motor									C.W.L.	L.W.L.	Wt. (kg)	
			A	A1	A2	A3	D	D1	D2	H	H1				H2
TO100SFQ211 -62	11	100	665	485	180	385	360	180	180	960	1281	68	780	255	139