

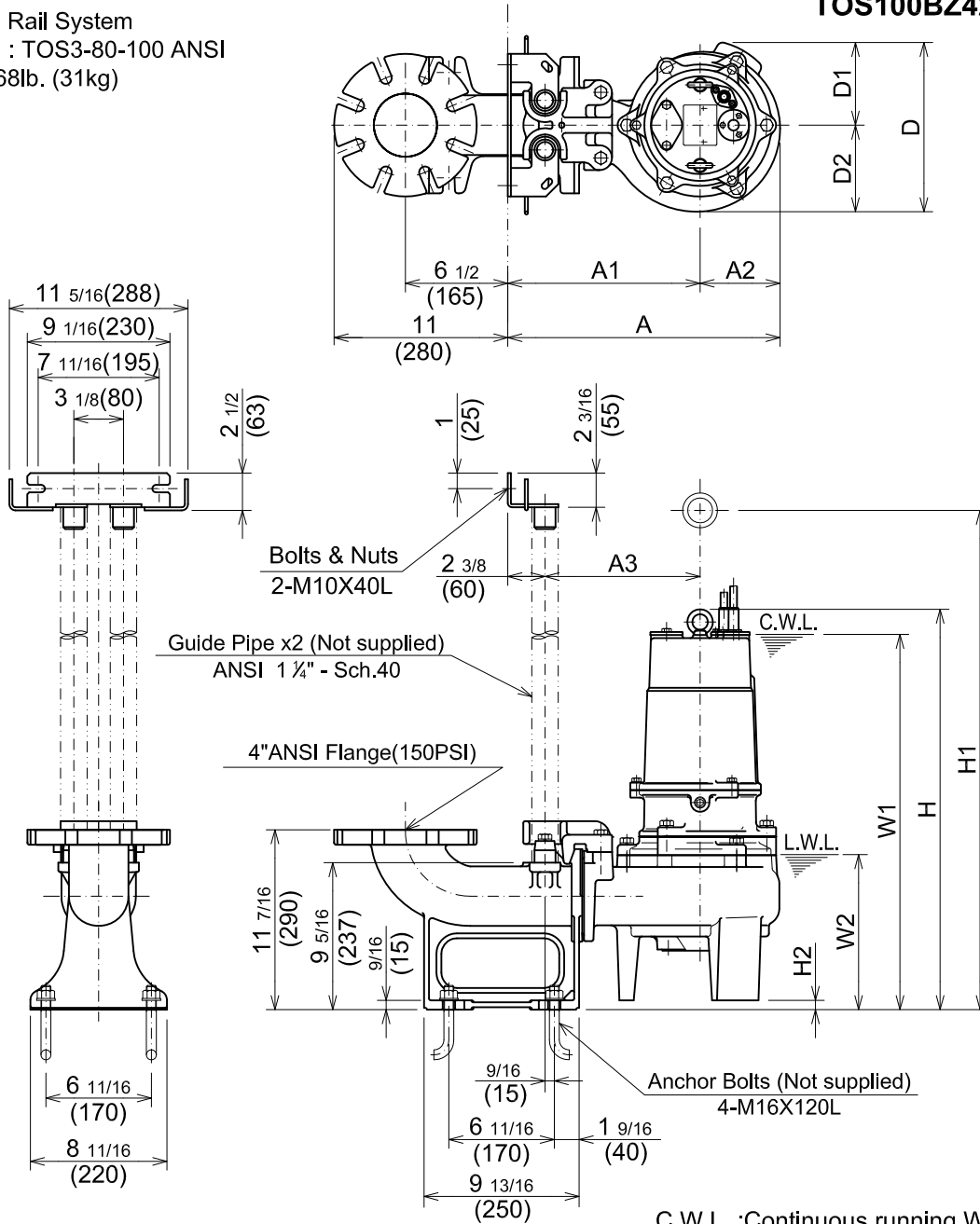


BZ-SERIES
SEWAGE & WASTEWATER PUMPS

DIMENSIONS

TOS100BZ41.5 -61
TOS100BZ42.2 -61

Guide Rail System
Model : TOS3-80-100 ANSI
Wt. : 68lb. (31kg)



C.W.L. :Continuous running Water Level
L.W.L. :Lowest running Water Level

DIMENSIONS:USCS(Inch)

Model	HP	NOM. SIZE	Pump & Motor										C.W.L.	L.W.L.	*Wt. (lbs.)
			A	A1	A2	A3	D	D1	D2	H	H1	H2			
TOS100BZ41.5 -61	2	4"	17 5/16	12 3/16	5 1/16	9 13/16	10 3/4	5 1/4	5 1/2	25 7/16	30 3/16	9/16	23 7/8	9 7/8	163
TOS100BZ42.2 -61	3	4"	17 5/16	12 3/16	5 1/16	9 13/16	10 3/4	5 1/4	5 1/2	25 7/16	30 3/16	9/16	23 7/8	9 7/8	163

DIMENSIONS:METRIC(mm)

Model	kW	NOM. SIZE	Pump & Motor										C.W.L.	L.W.L.	*Wt. (kg)
			A	A1	A2	A3	D	D1	D2	H	H1	H2			
TOS100BZ41.5 -61	1.5	100	439	310	129	250	273	133	140	646	767	15	605	250	74
TOS100UZ42.2 61	2.2	100	439	310	129	250	273	133	140	646	767	15	605	250	74

*Excluding TOS & Cable.