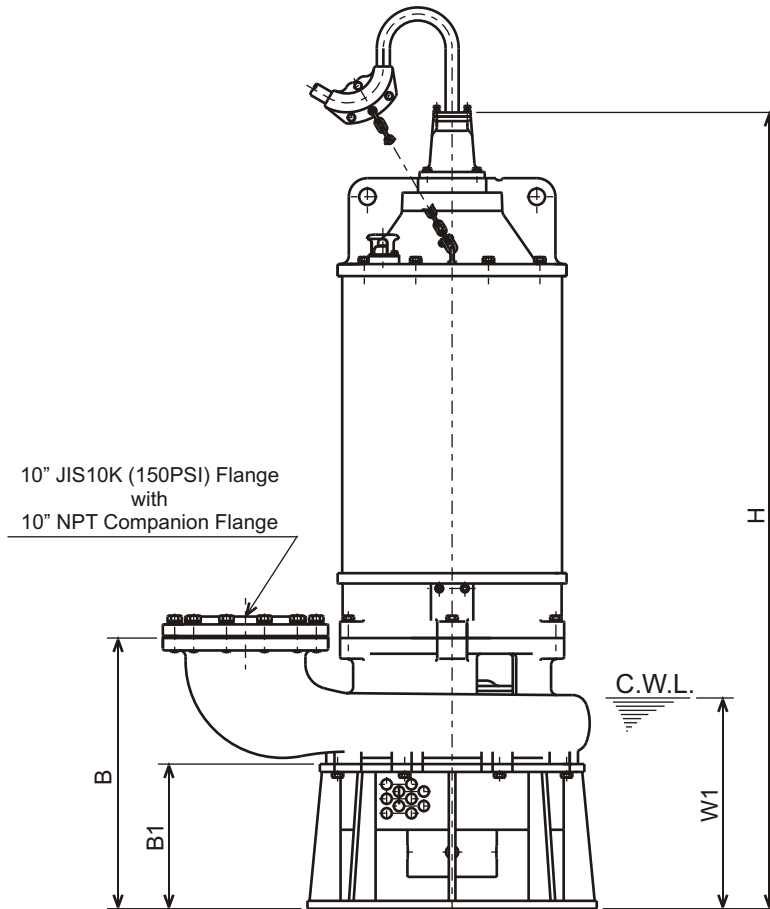
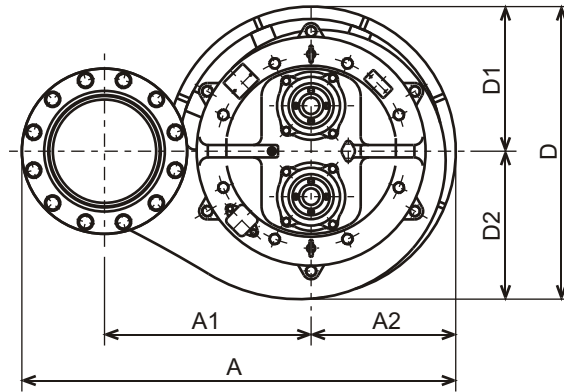




GSD SERIES
HIGH VOLUME - SUBMERSIBLE AGITATOR PUMPS

DIMENSIONS

GSD-55-4
GSD-75-4



C.W.L. : Continuous running Water Level

DIMENSIONS:USCS (In ch)

Model	HP	NOM. SIZE	Pump & Motor									C.W.L. W1	*Wt. (lbs.)
			A	A1	A2	B	B1	D	D1	D2	H		
GSD-55-4	75	10"	41 5/16	19 11/16	13 3/4	25 13/16	13 3/4	27 7/8	13 3/4	14 1/8	75 7/8	20 1/8	2440
GSD-75-4	100	10"	41 5/16	19 11/16	13 3/4	25 13/16	13 3/4	27 7/8	13 3/4	14 1/8	75 7/8	20 1/8	2690

DIMENSIONS:METRIC (mm)

*Excluding Cable

Model	kW	NOM. SIZE	Pump & Motor									C.W.L. W1	*Wt. (kg)
			A	A1	A2	B	B1	D	D1	D2	H		
GSD-55-4	55	250	1050	500	350	655	350	708	350	358	1927	510	1110
GSD-75-4	75	250	1050	500	350	655	350	708	350	358	1927	510	1220