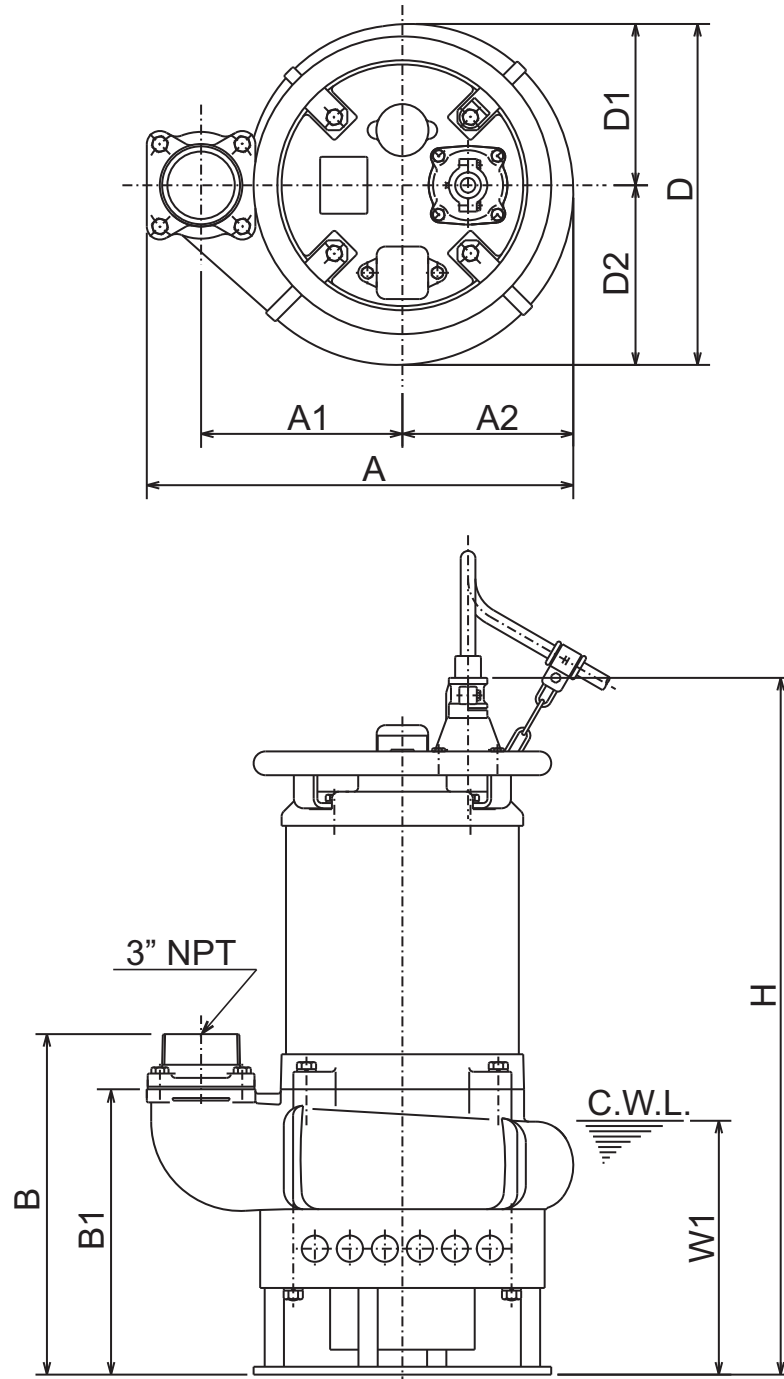




**GPN - SERIES**  
SUBMERSIBLE AGITATOR PUMPS

**DIMENSIONS**

**GPN35.5-61**



C.W.L. : Continuous running Water Level

**DIMENSIONS:USCS (Inch)**

Model	HP	NOM. SIZE	Pump & Motor									C.W.L. W1	*Wt. (lbs.)
			A	A1	A2	B	B1	D	D1	D2	H		
GPN35.5-61	7.5	3"	19 3/16	9 1/16	7 11/16	15 5/16	12 13/16	15 3/8	7 5/16	8 1/16	31 5/16	11 3/8	319

**DIMENSIONS:METRIC (mm)**

Model	kW	NOM. SIZE	Pump & Motor									C.W.L. W1	*Wt. (kg)
			A	A1	A2	B	B1	D	D1	D2	H		
GPN35.5-61	5.5	80	487	230	195	389	326	390	185	205	796	290	145

\*Excluding Cable