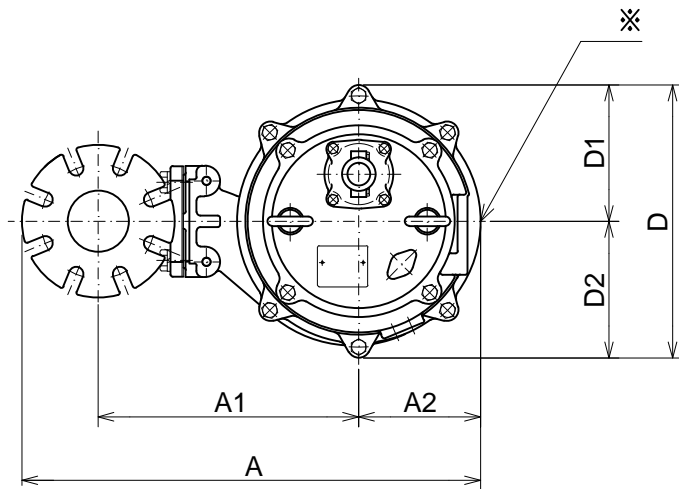
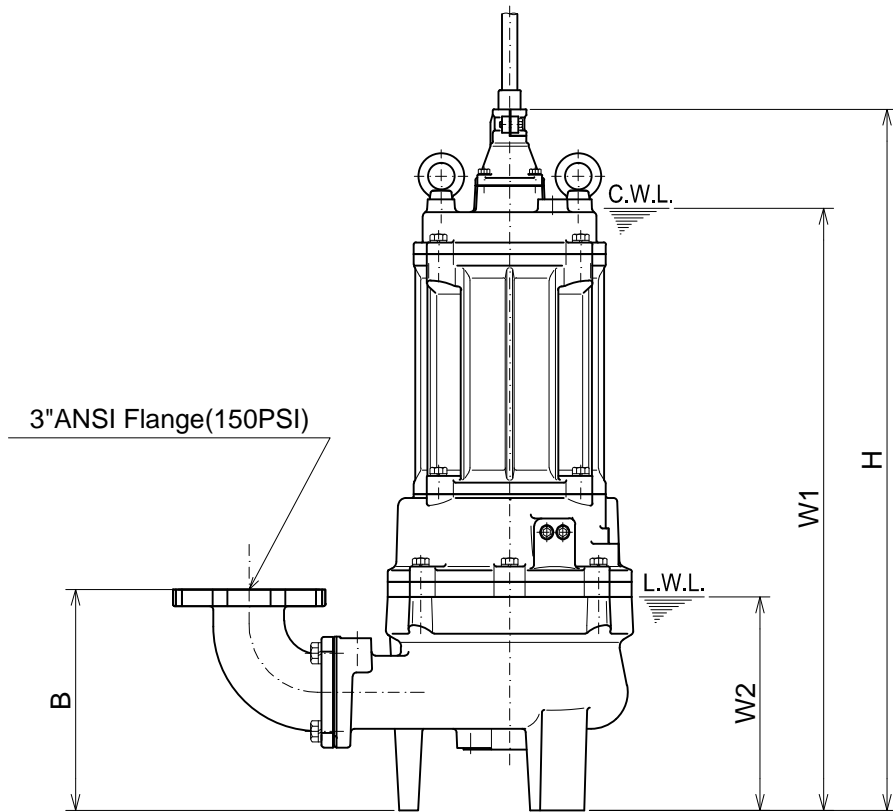


<b style="font-size: 1.2em;">TSURUMI PUMP	<b style="font-size: 1.2em;">UZ-SERIES VORTEX - SEWAGE & WASTEWATER PUMPS	<b style="font-size: 1.2em;">DIMENSIONS
---	---	---

Bend model:
BEND80-80 ANSI



80UZ45.5 -64
80UZ47.5 -64



※An air release hole is provided on the top of the pump casing.

C.W.L. :Continuous running Water Level
L.W.L. :Lowest running Water Level

DIMENSIONS:USCS(Inch)

Model	HP	NOM. SIZE	Pump & Motor								C.W.L. W1	L.W.L. W2	*Wt. (lbs.)
			A	A1	A2	B	D	D1	D2	H			
80UZ45.5 -64	7.5	3"	24 1/8	13 7/8	6 5/16	11 7/16	14 1/8	7 1/16	7 1/16	35 3/8	30 3/8	11	280
80UZ47.5 -64	10	3"	24 1/8	13 7/8	6 5/16	11 7/16	14 1/8	7 1/16	7 1/16	36 1/4	31 1/8	11	309

DIMENSIONS:METRIC(mm)

*Excluding Cable.

Model	kW	NOM. SIZE	Pump & Motor								C.W.L. W1	L.W.L. W2	*Wt. (kg)
			A	A1	A2	B	D	D1	D2	H			
80UZ45.5 -64	5.5	80	613	352	160	290	358	179	179	899	770	280	127
80UZ47.5 -64	7.5	80	613	352	160	290	358	179	179	920	790	280	140